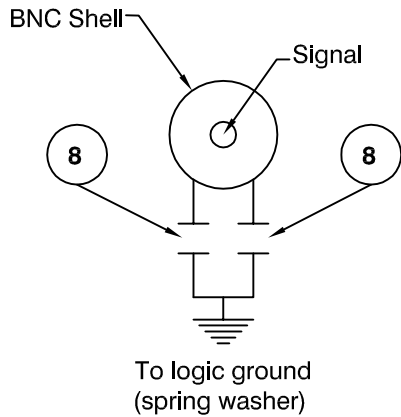
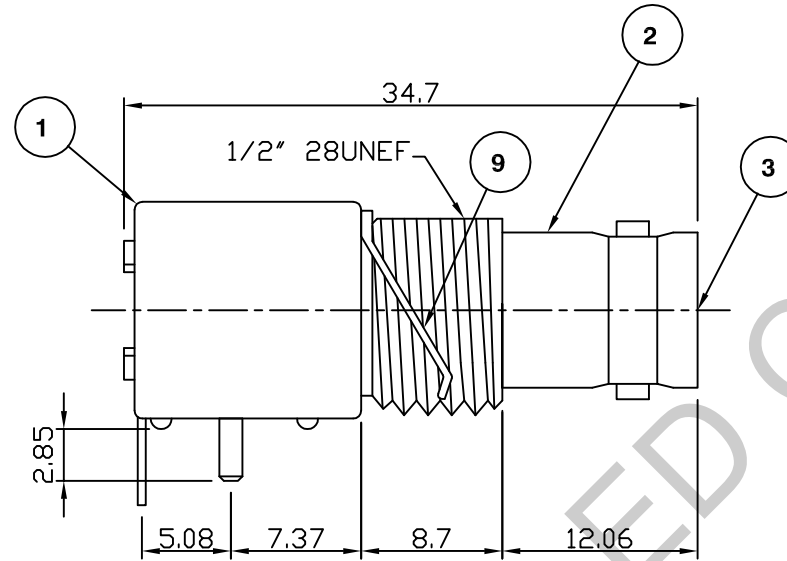
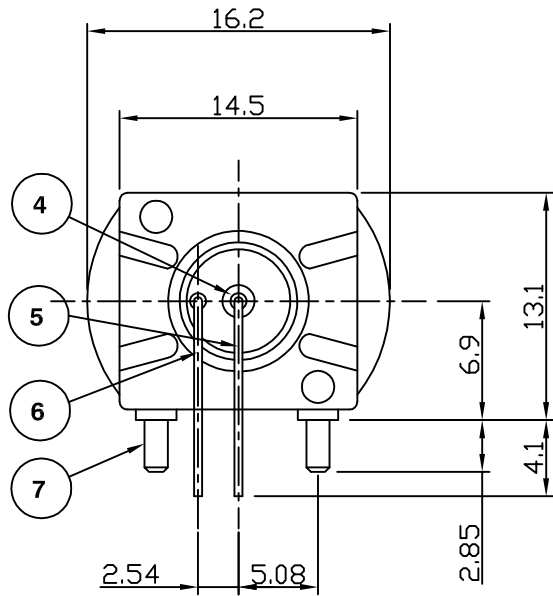
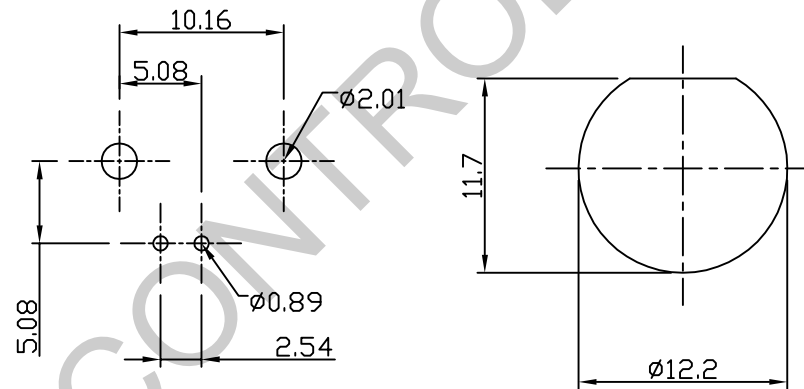


RoHS COMPLIANT



Capacitor Circuit Diagram



Recommended PCB Layout

Panel Cutout

Electrical Characteristics

Nominal Impedance:	50 ohms
Frequency Range:	DC to 1 GHz
Operating Voltage (rms):	500 V maximum at sea level
Dielectric Withstand Voltage (rms):	500 V maximum at sea level
Contact Resistance:	3.0 milliohms maximum
Insulation Resistance:	5000 megohms minimum

Mechanical Characteristics

Mating Cycles:	500 cycles minimum
Interface Dimensions:	Conform to MIL-C-39012

Environmental Characteristics

Temperature Range:	-65 °C to +165 °C
--------------------	-------------------

PART	DESCRIPTION
1	Body
2	Body
3	Dielectric
4	Contact
5	Signal Contact
6	Ground Contact
7	Mounting Post
8	Ceramic Chip Capacitor
9	Spring Washer

DESCRIPTION OF REVISION	APPVD	ISS	DATE
Corrected finish of Item 5. was tin lead	MS	7	4 Sep 13
CAD Issue	SN	6	04 Feb 02
New format	DW	5	22 Feb 99
Mounting hole size changed	IS	4	27 Aug 92
Capacitor circuit diagram added	IS	3	19 May 92
Capacitor values added	IS	2	10 April 92
First Issue	IS	1	01 March 92



Cinch Connectivity Solutions
 11 Bilton Road,
 Chelmsford,
 Essex,
 CM1 2UP, UK.
 Tel: +44 (0) 1245 359515
 Fax: +44 (0) 1245 358938

SCALE: Not To Scale

DIMENSIONS: mm

TOLERANCES:
 ± 0.2mm unless
 otherwise stated

DRAWN BY: S Nash
 CHECKED BY: S Nash
 APPROVED BY: M Nielsen
 DATE: 04 Feb 02

TITLE:
**Low Profile BNC Right Angle
 PCB Mount Jack Filter
 Connector**

PART NUMBER:
VBF211

PAGE: 1 of 1