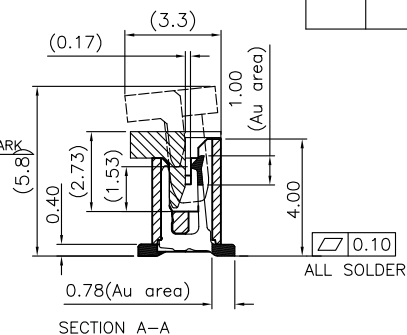
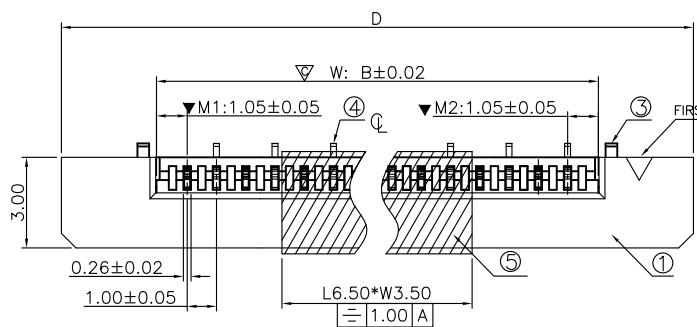


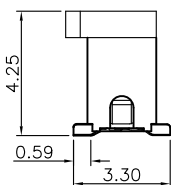
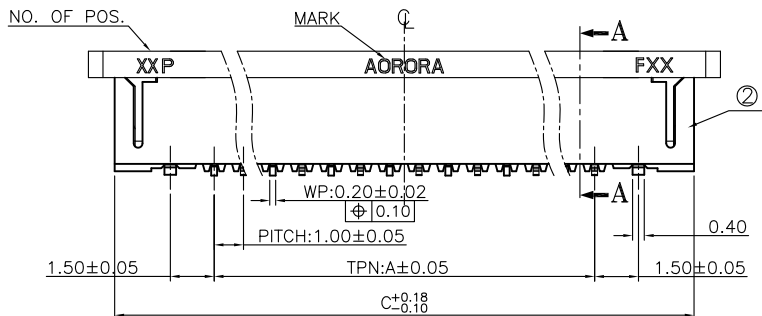
This document is the property of Amphenol Aorora Corporation and is delivered on the express condition that it is not to be disclosed, reproduced or used, in whole or in part, for manufacture or sale by anyone other than Amphenol Aorora Corporation without its prior consent, & that no right is granted to disclose or to use any information in this document.

REV.	ECR/ECN No.	DESCRIPTION	DRAWN/DATE	CHECKED/DATE	APPROVED/DATE
A	/	New Version	May 2015-07-10	Rain 2015-07-10	Hongkui.liu 2015-07-10

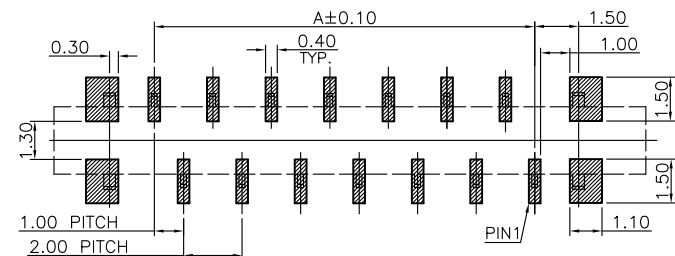
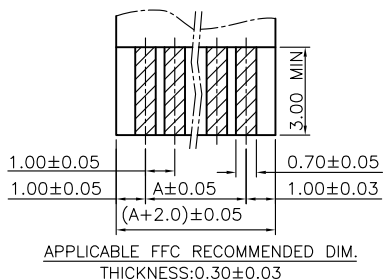
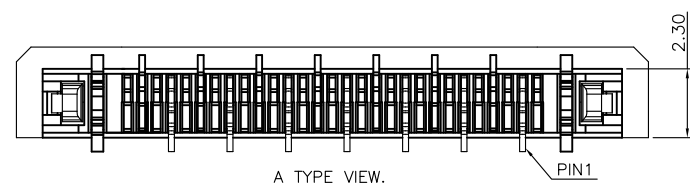
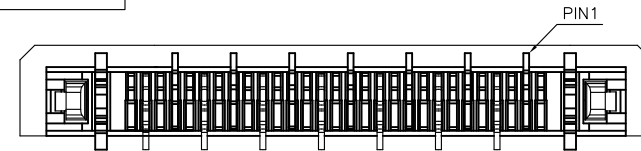


NO.	COMPONENTS	MATERIALS	SPECIFICATION:FINISH/COLOR	QTY.
1	SLIDER	GLASS FILLED PA9T, UL94V-0	BLACK	1
2	HOUSING	GLASS FILLED LCP, UL94V-0	NATURAL	1
3	ANCHOR-PLATE	BRASS, T=0.40mm	SURFACE PLATING:2~5 um Sn UNDER PLATING:1~3 um Ni	2
4	CONTACT	PHOSPHOR BRONZE, T=0.20mm	SURFACE PLATING:SEE "NOTE" UNDER PLATING:1~3 um Ni	N
5	MYLAR	T=0.10mm 耐高温	YELLOW	1

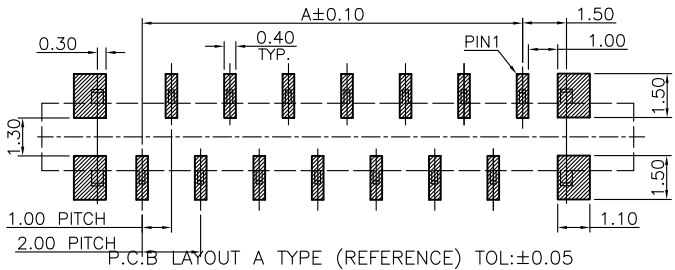
NOTE:  
1.ALL MATERIAL MUST BE COMPLY WITH SS-00259/RoHS.  
2."▼" MARK IS IMPORTANT DIMENSIONS  
3."▽" MARK IS CPK AND X-R DIMENSION  
4.PART NO. LEGEND:  
F5\*\*-1A7\*1-110\*\*



1Z:WITH MYLAR(A TYPE)  
1Y:WITH MYLAR(B TYPE)  
1W:NO MYLAR(A TYPE)  
1X:NO MYLAR(B TYPE)  
7H:PHOSPHOR BRONZE 0.05um MIN Au(Au Area)  
7A:PHOSPHOR BRONZE MATTER TIN



P.C.B LAYOUT B TYPE (REFERENCE) TOL:±0.05



P.C.B LAYOUT A TYPE (REFERENCE) TOL:±0.05

**DIMENSION LIST:**

NO. OF POS.	UNLESS OTHERWISE SPECIFIED TOLERANCES			
	A	B	C	D
4	3.00	5.10	9.80	11.60
5	4.00	6.10	10.80	12.60
6	5.00	7.10	11.80	13.60
7	6.00	8.10	12.80	14.60
8	7.00	9.10	13.80	15.60
9	8.00	10.10	14.80	16.60
10	9.00	11.10	15.80	17.60
11	10.00	12.10	16.80	18.60
12	11.00	13.10	17.80	19.60
13	12.00	14.10	18.80	20.60
14	13.00	15.10	19.80	21.60

ANGLE OF PROJECTION		TITLE	
		<b>Amphenol AORORA</b> Amphenol Aorora Technology (Huizhou) Co.,Ltd	
DOC TYPE	Customer Drw	TITLE: FPC P1.0 4-14PIN VERTICAL SMT TYPE	
DRAWN DATE	May 2015-07-10	SIZE	DWG NO. A4
DESIGN DATE	May 2015-07-10	REV. A	
CHECKED DATE	Rain 2015-07-10	A-S0154	
APPROVED DATE	Hongkui.liu 2015-07-10	SCALE	1:1
P/N: F5**-1A7H1-110**		UNIT	mm
MATERIAL	SEE NOTES	SHEET	1 OF 1
FINISHED	SEE NOTES		