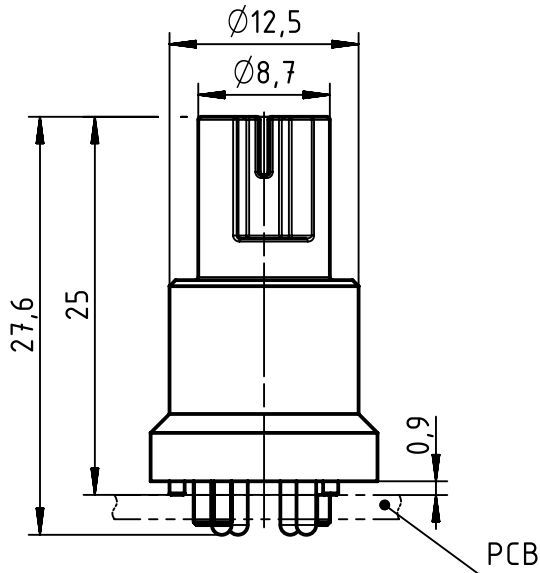
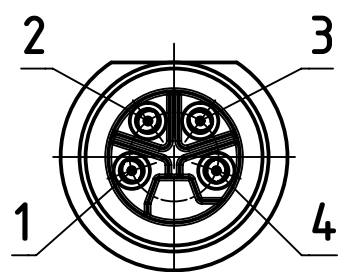


A

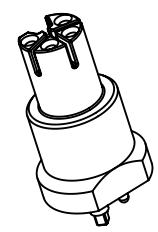
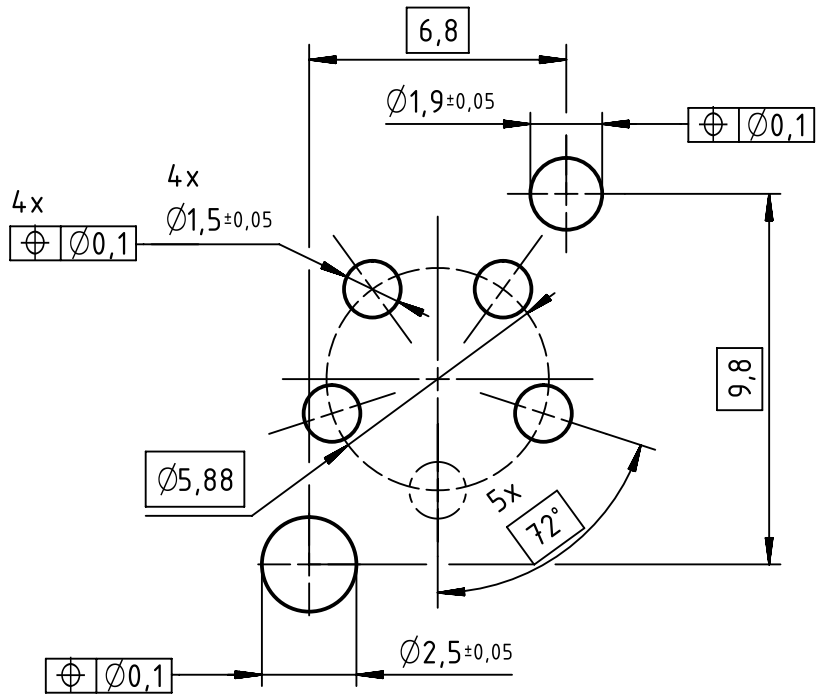


contact face based on
IEC 61076-2-111



A (5:1)

recommended PCB-layout



| | | | | | | | |
|---|---|---|-----------------------|--------------------------|-----------------------------|--|------------------------|
| | All rights reserved Department EL PD | All Dimensions in mm Original Size DIN A4 | | | Scale 2:1 | Free size tol. | Ref. Sub. |
| | | HARTING Electronics GmbH D-32339 Espelkamp | Created by SERBANA | Inspected by DRAGHICI | Standardisation HOFFMANN | Date 2018-10-24 | State Final Release |
| Title M12 Power PCB receptacle female L-coded w/o FE | | | | | | Doc-Key / ECM-Nr. 100747773/UGD/002/E 500000141541 | |
| Type TB | | | | | Number 21033962506 | | Rev. E |
| | | | | | | | Page 1/1 |