

4

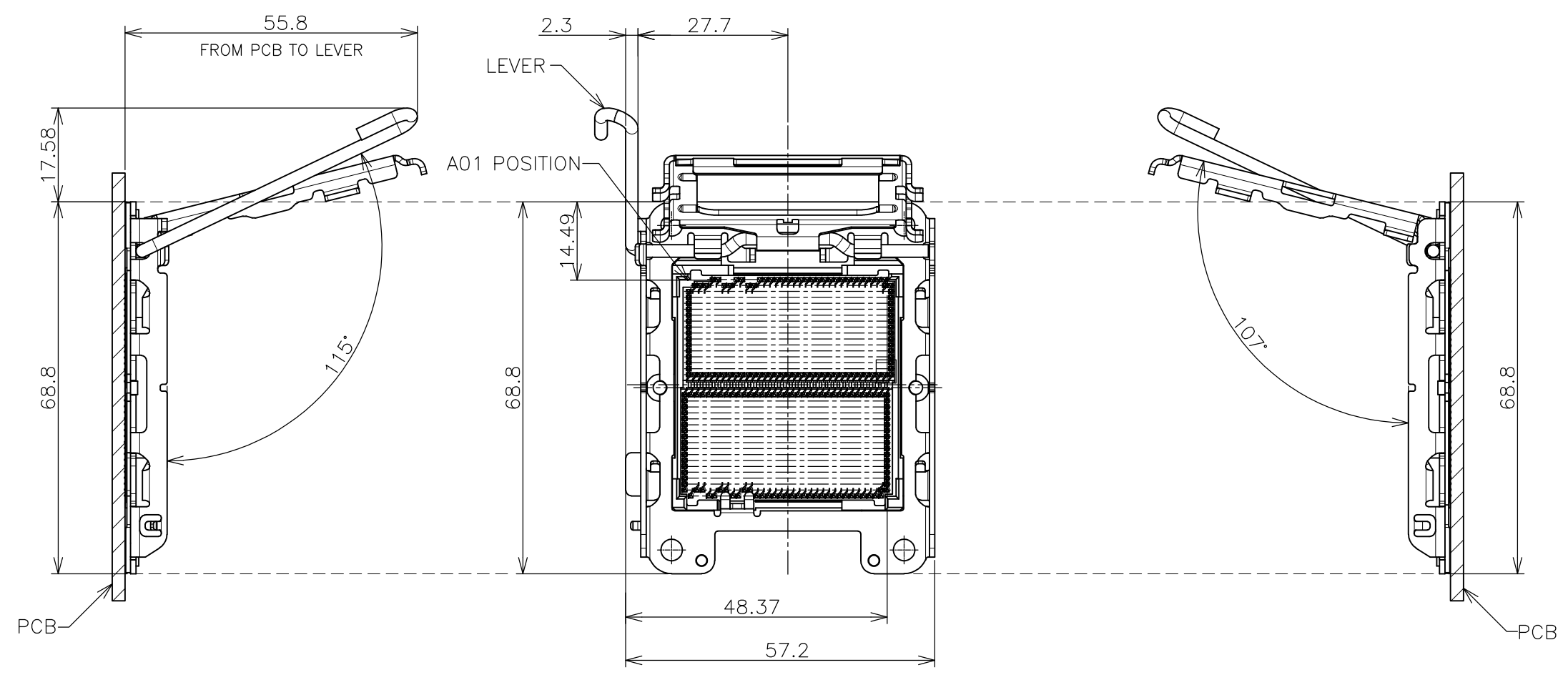
3

2

1

THIS DRAWING IS UNPUBLISHED. RELEASED FOR PUBLICATION
 © COPYRIGHT BY TYCO ELECTRONICS CORPORATION. ALL RIGHTS RESERVED.

LOC	DIST	REVISIONS 変更					
J	/	P	LTR	DESCRIPTION	DATE	DWN	APVD
		-		SEE SHEET 1	-	-	-



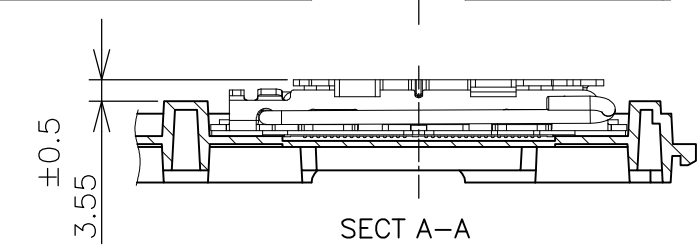
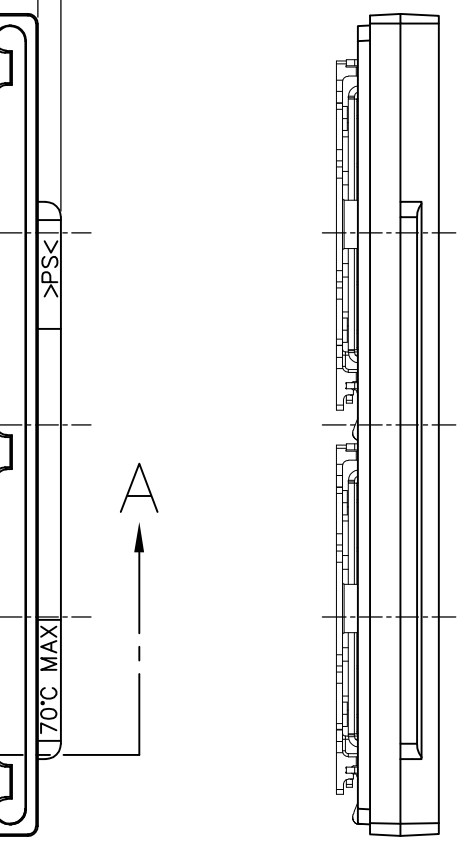
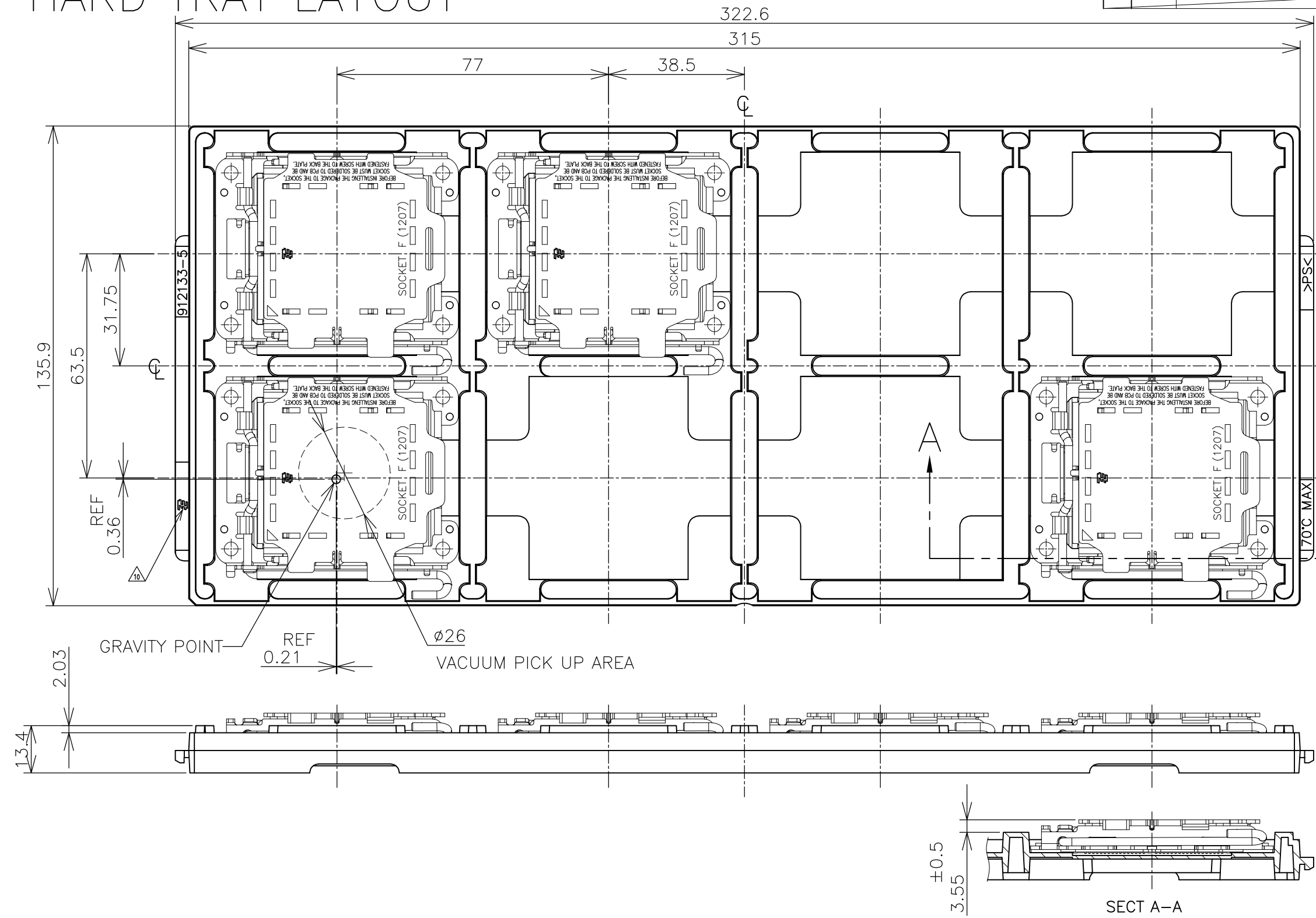
ALL DIMENSIONS OF THIS SHEET
 ARE REFERENCE DIMENSIONS.

THIS DRAWING IS A CONTROLLED DOCUMENT.		DWN	Tyco Electronics AMP K.K.		
DIMENSIONS: 単位: 耗 mm		CHK	Kawasaki, Japan		
TOLERANCES UNLESS OTHERWISE SPECIFIED: 一般公差		APVD	NAME 名称		
<ul style="list-style-type: none"> 0 PLC ± 1 PLC ± 2 PLC ± 3 PLC ± 4 PLC ± ANGLES ± FINISH 仕上 		PRODUCT SPEC 製品規格	SOCKET F (1207) 0 DEGREE LEFT LEVER TYPE		
MATERIAL 材料		APPLICATION SPEC 取付適用規格	SIZE	CAGE CODE	DRAWING NO 番号
		WEIGHT	A3	00779	G-1939416
		CUSTOMER DRAWING	RESTRICTED TO	-	
		SCALE 尺度	SHEET	OF	REV
		2:1	2	4	C

THIS DRAWING IS UNPUBLISHED. RELEASED FOR PUBLICATION
 © COPYRIGHT BY TYCO ELECTRONICS CORPORATION. ALL RIGHTS RESERVED.

LOC J	DIST /	P	LTR	REVISIONS 変更	DATE	DWN	APVD
				DESCRIPTION			
				SEE SHEET 1			

HARD TRAY LAYOUT



THIS DRAWING IS A CONTROLLED DOCUMENT.		DWN	Tyco Electronics AMP K.K.		
DIMENSIONS: 単位: 耗 mm		CHK	Kawasaki, Japan		
TOLERANCES UNLESS OTHERWISE SPECIFIED: 一般公差		APVD	NAME 名称		
<ul style="list-style-type: none"> 0 PLC ± 1 PLC ± ±0.3 2 PLC ± ±3° 3 PLC ± 4 PLC ± ANGLES ± 		PRODUCT SPEC 製品規格	SOCKET F (1207)		
MATERIAL 材料		FINISH 仕上	APPLICATION SPEC 取付適用規格	0 DEGREE LEFT LEVER TYPE	
		WEIGHT	SIZE A3	CAGE CODE 00779	DRAWING NO 番号 G-1939416
CUSTOMER DRAWING			RESTRICTED TO	SCALE 尺度	SHEET 4 OF 4 REV C