

# Cypress FM4 Graphics Controller MCU Starter Kit



The Cypress S6E2DH series graphics controller MCU starter kit provides an easy to use, cost-effective solution to evaluate an ARM® Cortex®- M4 based microcontroller that incorporates a dedicated hardware graphics engine allowing rich display images. The board comes complete with WQVGA TFT display with a touch sensor and on-board CMSIS-DAP enabling the user to connect directly to a PC and begin development. In addition to the evaluation board, the Cypress solution includes a free-of-charge graphics authoring tool and low-level libraries for the graphics engine.

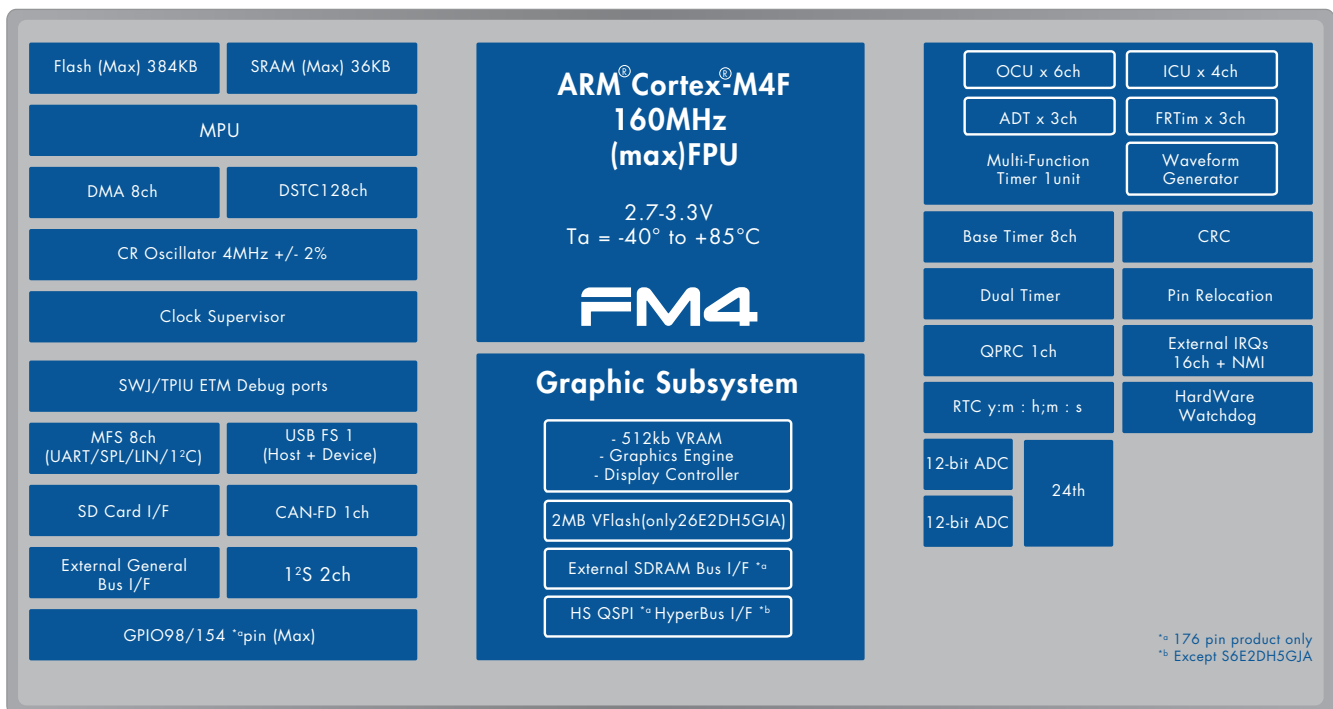
Cypress's S6E2DH MCU is ideal for embedded applications with TFT displays such as home appliances, multi-function printers, industrial equipment, electronic musical instruments and security systems.

## Features

- Cypress FM4 S6E2DH MCU
- CMSIS-DAP JTAG adapter
- USB-Device (Type-B connector)
- WQVGA TFT Panel with touch
- 512MB Spansion HyperFlash™ memory for image storage
- 128MB SDRAM for external VRAM
- I<sup>2</sup>S connection to codec
- SD card interface

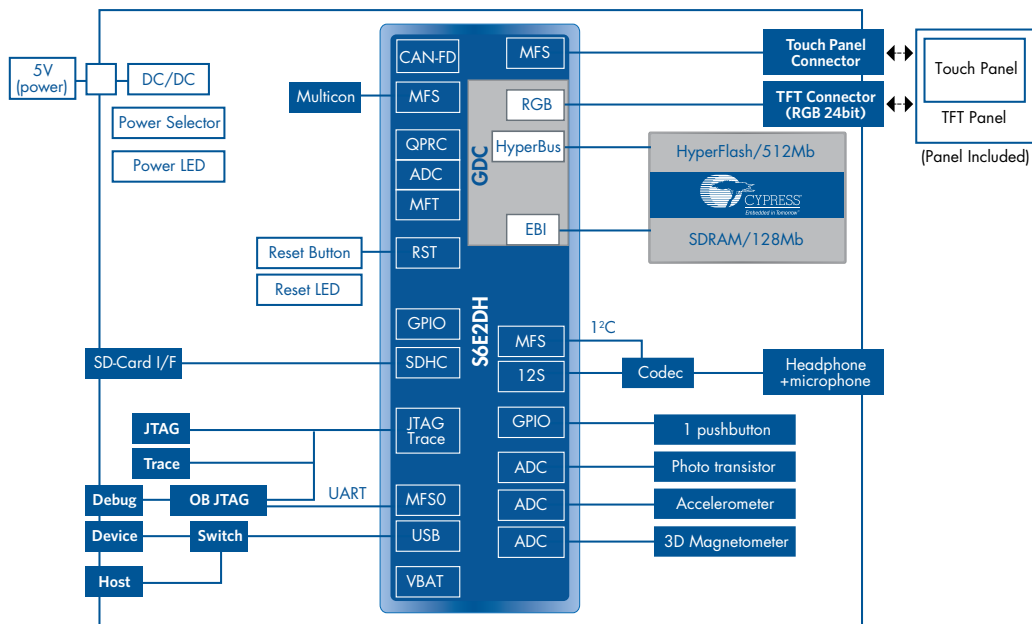
**Part number: FM4-176L-S6E2DH**

## MCU block diagram / features



<sup>a</sup> 176 pin product only  
<sup>b</sup> Except S6E2DH5GJA

## Starter kit block diagram

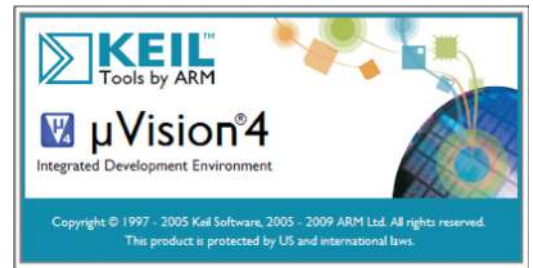
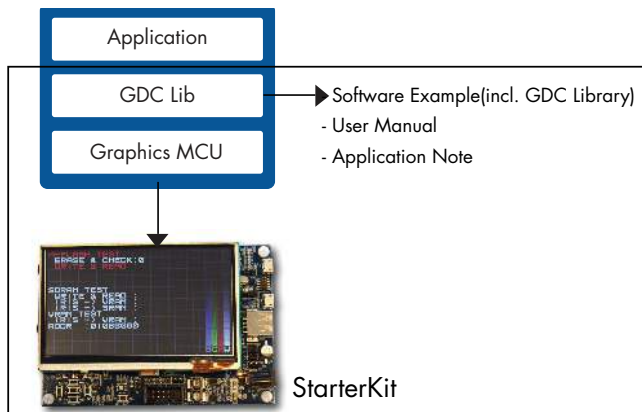


## Development environment / evaluation board

Graphics Software Development environment

Development Tools  
ARM (KEIL) / IAR SYSTEMS

GDC Software Architecture



Note: This document may be revised by subsequent versions or modifications due to changes in technical specifications.

### Cypress Semiconductor Corporation

198 Champion Court, San Jose CA 95134  
 phone +1 408.943.2600 fax +1 408.943.6848  
 toll free +1 800.858.1810 (U.S. only) Press "1" to reach your local sales representative

© 2015-2016 Cypress Semiconductor Corporation. All rights reserved. All other trademarks are the property of their respective owners.  
 Doc# 002-06956 Rev\*A

