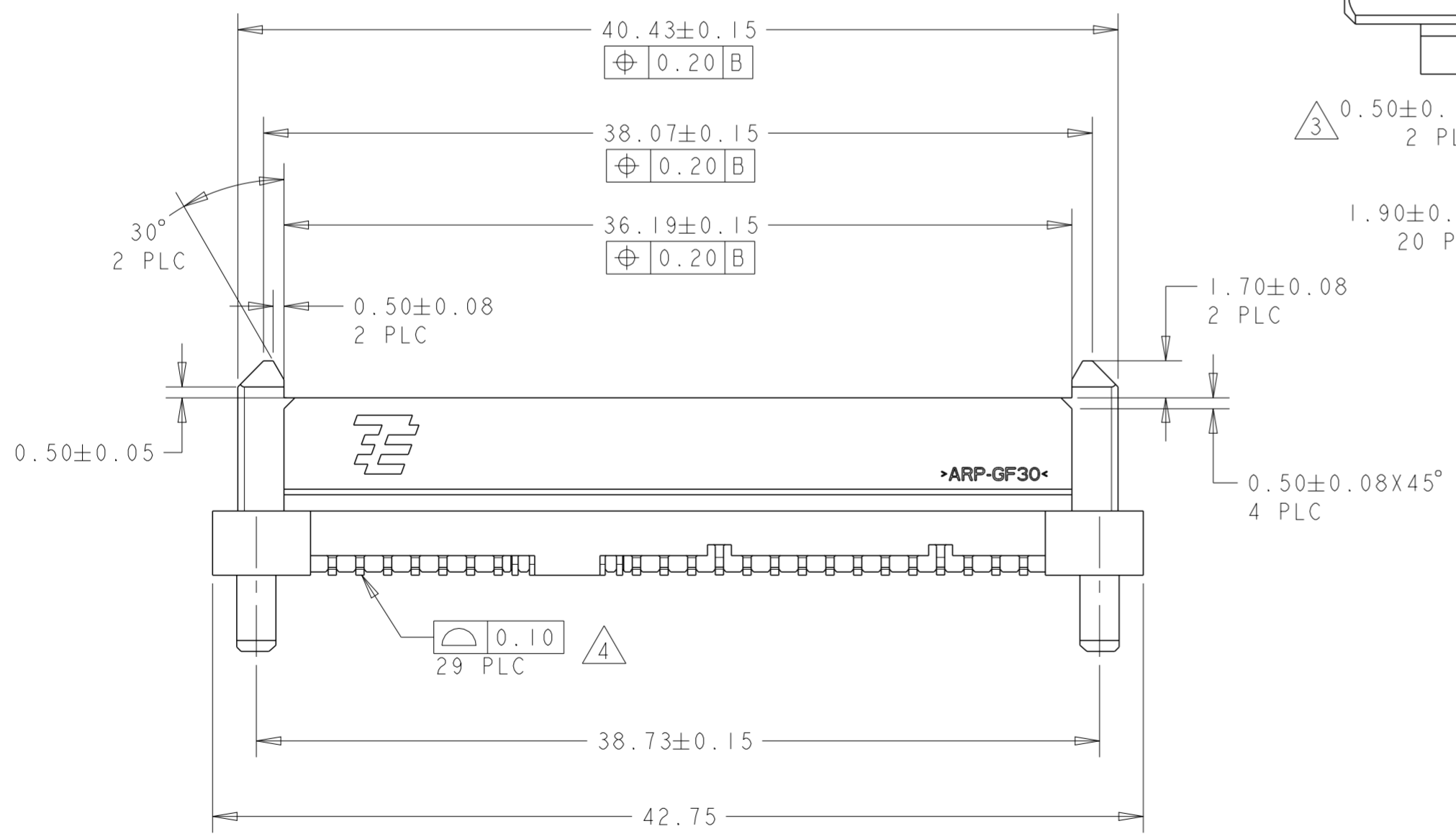
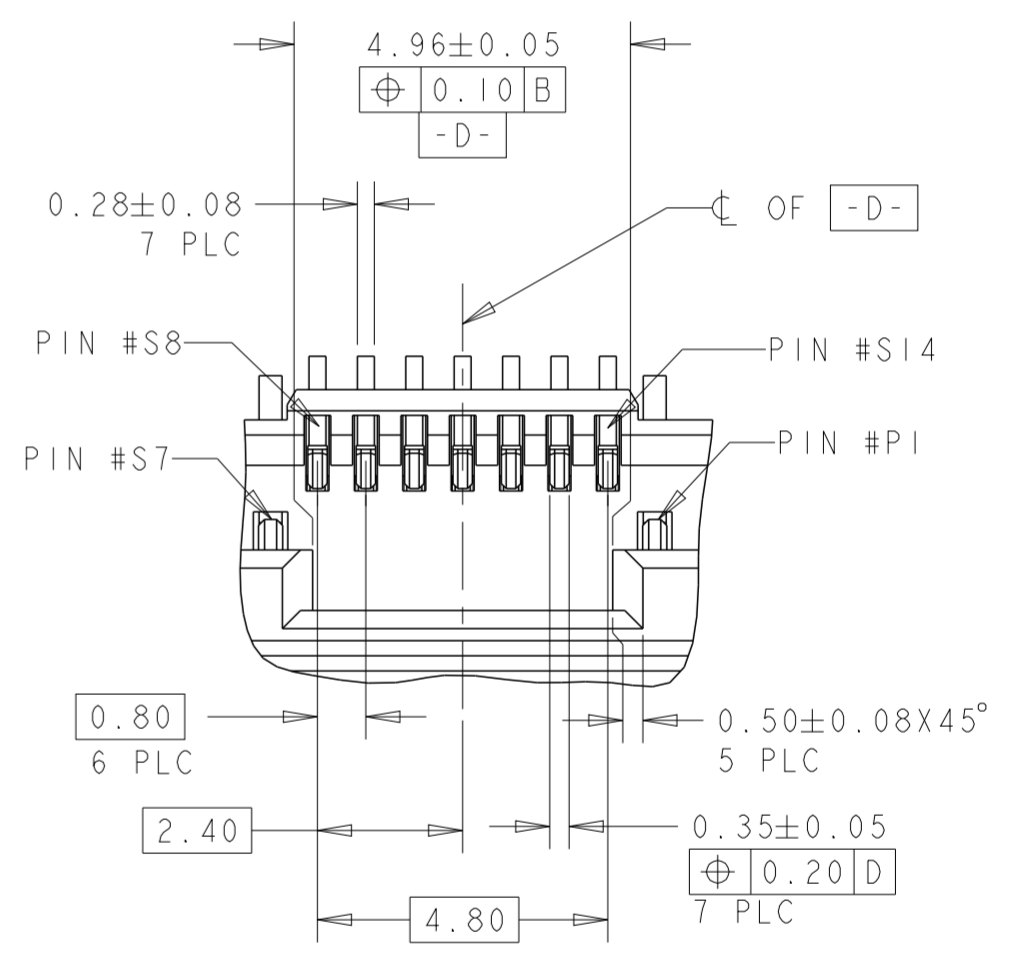


NOTES:

- 1 MATERIAL:
HOUSING: HIGH TEMP THERMOPLASTIC, UL94V-0,
COLOR: BLACK
CONTACT: COPPER ALLOY
BOARDLOCK: COPPER ALLOY
- 2 FINISH:
CONTACT AREA: MIN 0.76um GOLD PLATING
SOLDERTAIL: MIN 2.54um MATTE TIN PLATING
UNDERPLATE: MIN 1.27um NICKEL PLATING
- 3 PIN #P4 AND #P12 ONLY
- 4 SOLDERTAIL TO BE 0.05 MAX ABOVE AND 0.10 MAX BELOW DATUM E
- 5 1.33 MAX MEASURED AT -C-



| | | | | |
|-------------|---------------|-------|-----------------|-------------|
| TAPE & REEL | ZIF TYPE (3) | 3.50 | YES | I-1735105-2 |
| TRAY | ZIF TYPE (3) | 3.50 | YES | 1735105-2 |
| TRAY | FORK TYPE (2) | 3.50 | NO | 1735105-1 |
| PACKAGING | BOARDLOCK | DIM L | PICK-UP CAP (1) | PART NUMBER |

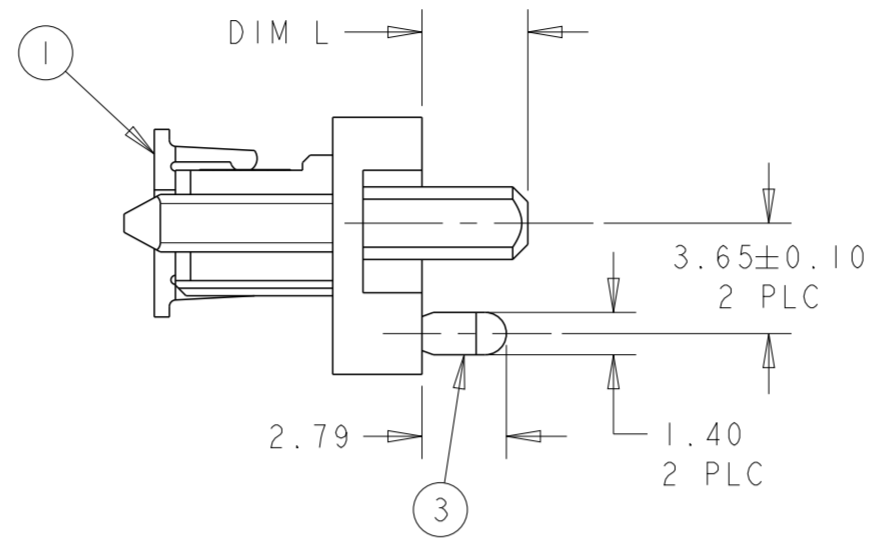
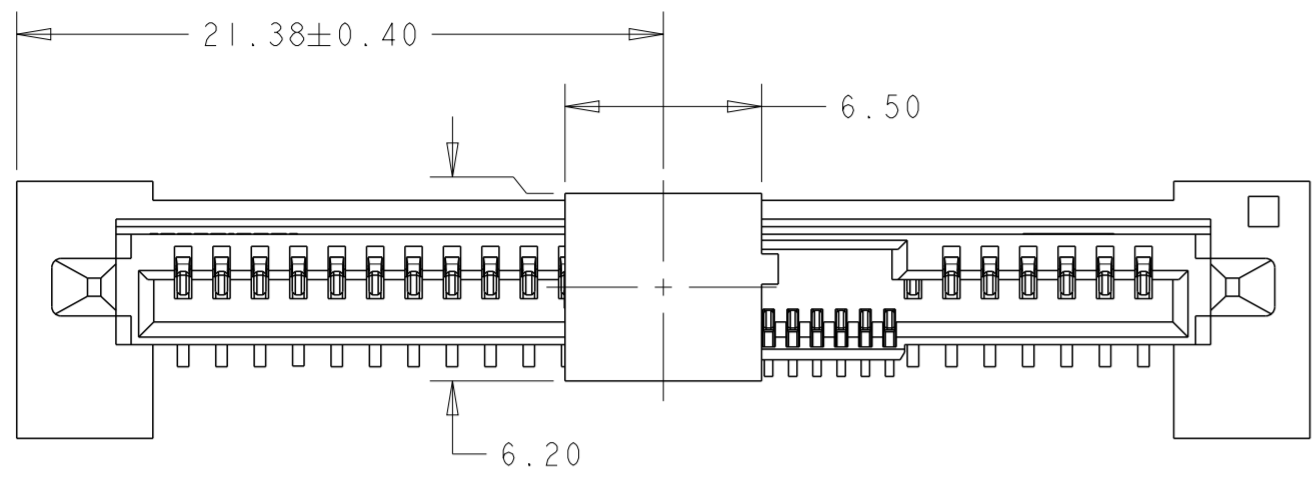
| | | | |
|--|-----------|------------|------------|
| DWN | 29JUL2005 | MATERIAL | HEAT TREAT |
| SK LEAW | | | |
| CHK | 29JUL2005 | | |
| SF LEONG | | | |
| APVD | 29JUL2005 | | |
| SF LEONG | | | |
| NAME SAS BACKPLANE RECEPTACLE, VERTICAL, SMT | | | |
| SCALE | SIZE | DRAWING NO | SHEET |
| 4:1 | A2 | 1735105 | 1 OF 2 |
| | | | REV C |

| | | | |
|-----------------|----|--|-------|
| DIMENSIONS: | | TOLERANCES UNLESS OTHERWISE SPECIFIED: | |
| mm | | 0 PLC | ± |
| | | 1 PLC | ± |
| | | 2 PLC | ±0.20 |
| | | 3 PLC | ± |
| | | 4 PLC | ± |
| ANGLE: | 3° | | |
| SURFACE TEXTURE | | | |

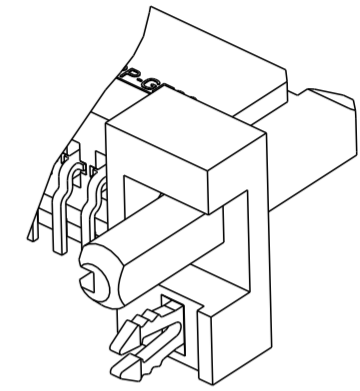
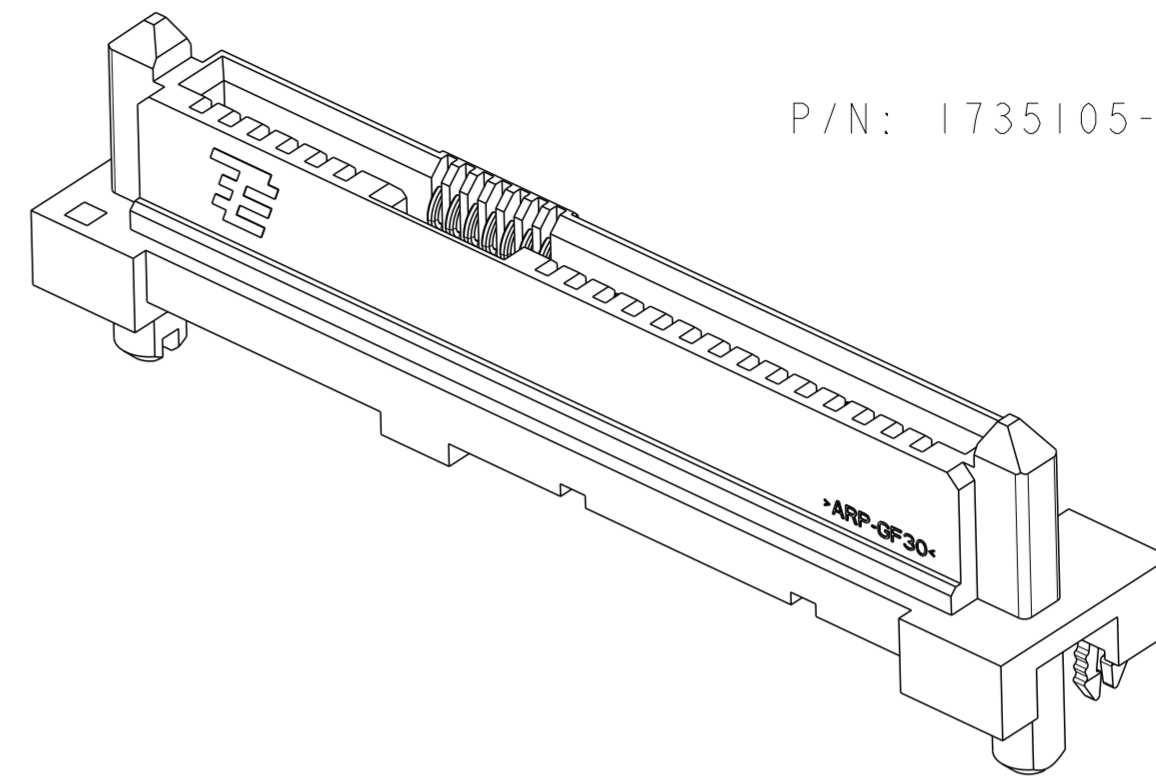
| | | | | |
|-----|---------------------------|-----------|-----|------|
| C | REVISED PER ECO-14-008474 | 05JUN2014 | BL | JY |
| LTR | REVISION RECORD | DATE | DWN | APVD |

THIS INFORMATION IS CONFIDENTIAL AND PROPRIETARY TO TYCO ELECTRONICS CORPORATION AND ITS WORLDWIDE SUBSIDIARIES AND AFFILIATES (TE). IT MAY NOT BE DISCLOSED TO ANYONE, OTHER THAN TE PERSONNEL, WITHOUT AUTHORIZATION FROM TE (www.te.com).

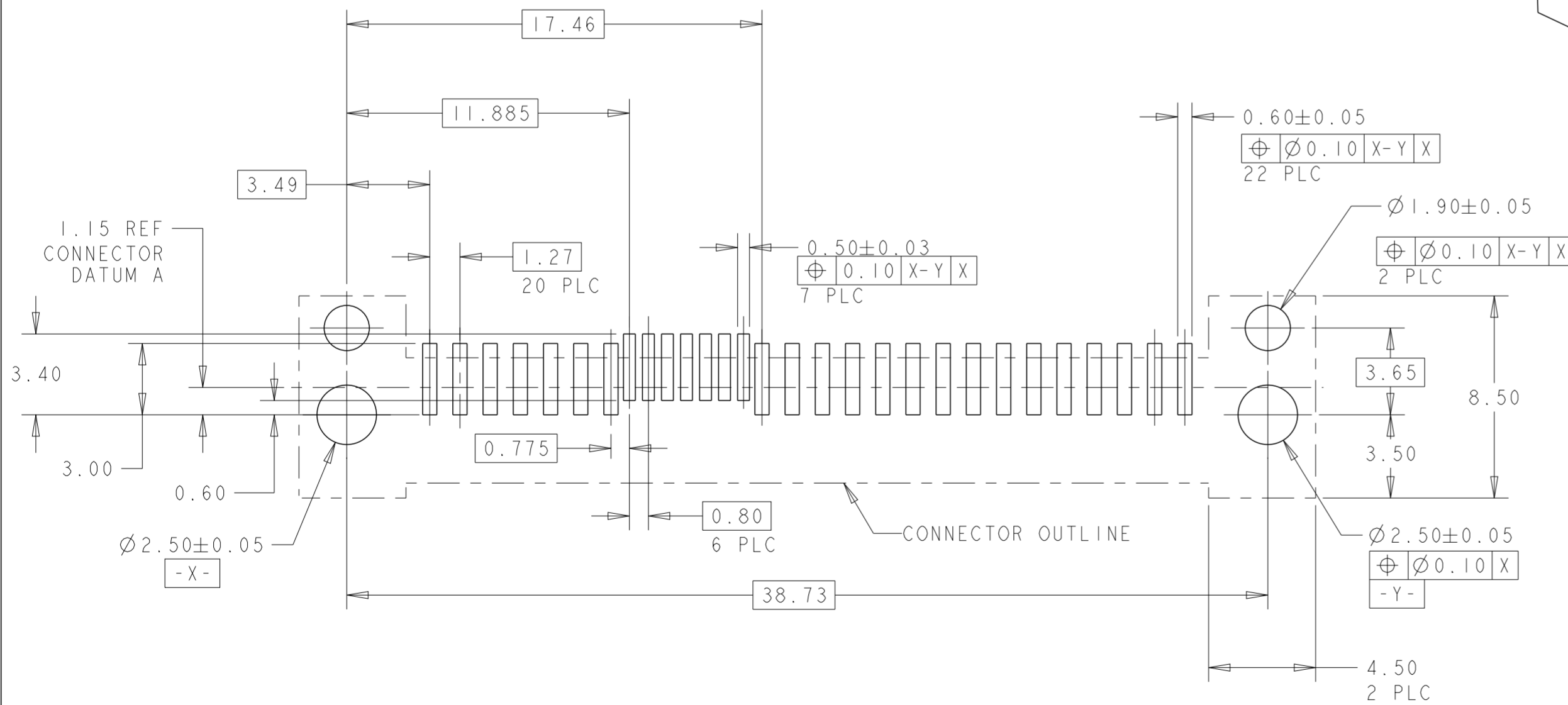
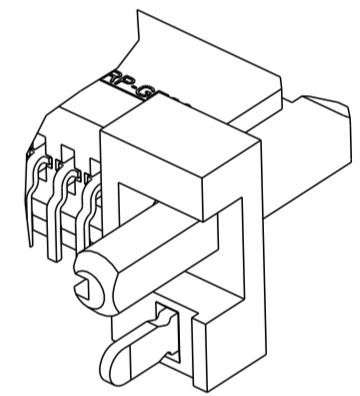
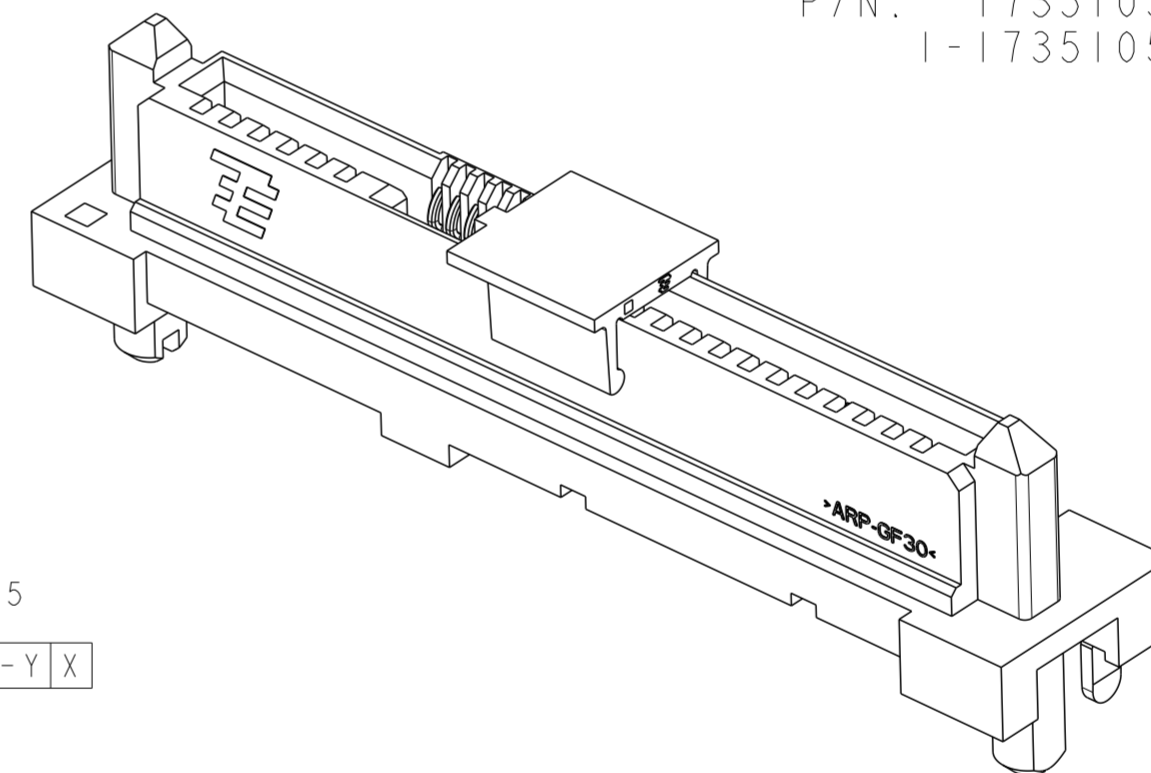
P/N: 1735105-2 AS SHOWN
1-1735105-2



P/N: 1735105-1



P/N: 1735105-2
1-1735105-2



RECOMMENDED PCB LAYOUT
SCALE 5:1

| - | SEE SHEET 1 | - | - | - |
|-----|-----------------|------|-----|------|
| LTR | REVISION RECORD | DATE | DWN | APVD |

| | | | |
|-----------------|--|--|-------|
| DIMENSIONS: | | TOLERANCES UNLESS OTHERWISE SPECIFIED: | |
| mm | | 0 PLC | ±- |
| [Symbol] | | 1 PLC | ±- |
| [Symbol] | | 2 PLC | ±0.20 |
| [Symbol] | | 3 PLC | ±- |
| [Symbol] | | 4 PLC | ±- |
| ANGLES: 3° | | | |
| SURFACE TEXTURE | | [Symbol] | |

| | | | | | |
|-------|-------------|---|--------|------------|---|
| DWN | 29 JUL 2005 | MATERIAL | TBD | HEAT TREAT | - |
| CHK | 29 JUL 2005 | | | | |
| APVD | 29 JUL 2005 | | | | |
| NAME | | SAS BACKPLANE RECEPTACLE, VERTICAL, SMT | | | |
| SCALE | SIZE | DRAWING NO | SHEET | REV | |
| 4:1 | A2 | 1735105 | 2 OF 2 | C | |

THIS INFORMATION IS CONFIDENTIAL AND PROPRIETARY TO TYCO ELECTRONICS CORPORATION AND ITS WORLDWIDE SUBSIDIARIES AND AFFILIATES (TE). IT MAY NOT BE DISCLOSED TO ANYONE, OTHER THAN TE PERSONNEL, WITHOUT AUTHORIZATION FROM TE (www.te.com).