



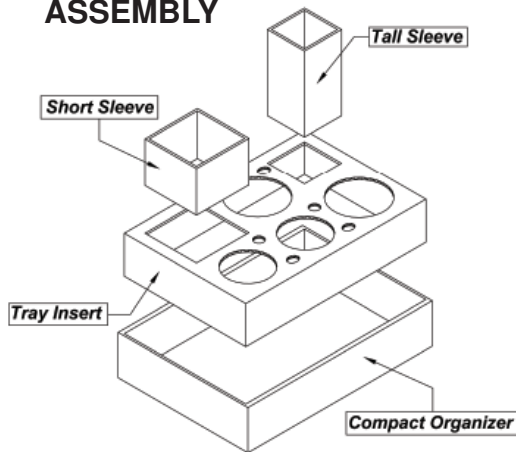
MADE IN AMERICA



### Description

- Compact, convenient size for organizing and standardizing tool and bottle placement at the workstation
- Aesthetically improves the appearance of the work area
- Includes openings for bottles, holes for hand tools, swabs and miscellaneous items
- OD Dimension: 11 1/4" x 8" x 2 1/4"
- Easily assembled
- Marked with ESD Protective symbol per ANSI/ESD S541
- Custom configurations available
- Conductive 10E2 to 10E4 ohms material provides reliable path-to-ground per ANSI/ESD S11.11
- Chemical and moisture resistant
- Economical alternative to injection molded products
- Made in America

### ASSEMBLY



### Assembly Instructions:

1. Fold up organizer tray
2. Fold up the insert and place into the tray
3. Fold up the tall and short sleeve and place into the insert as shown

"It should be understood that any object, item, material or person could be a source of static electricity in the work environment. Removal of unnecessary nonconductors, replacing nonconductive materials with dissipative or conductive materials and grounding all conductors are the principle methods of controlling static electricity in the workplace, regardless of the activity." [ESD Handbook ESD TR20.20-2008 section 2.4 Sources of Static Electricity]

### COMPACT ORGANIZER, PLASTEK™

PROTEKTIVE PAK  
 13520 MONTE VISTA AVENUE, CHINO, CA 91710  
 PHONE (909) 627-2578, FAX (909) 363-7331  
 ProtektivePak.com

DRAWING NUMBER

47556

DATE

April  
2010

**PROTEKTIVE PAK**  
*BURIED SHIELDING LAYER*