

Active module - UM- 8RM/KSR-G24/21/MS/SI/PLC - 2900893

Please be informed that the data shown in this PDF Document is generated from our Online Catalog. Please find the complete data in the user's documentation. Our General Terms of Use for Downloads are valid (<http://phoenixcontact.com/download>)



VARIOFACE output module, with 8 miniature relays, 1 PDT with detectable manual operation and fuse each, plugged, for 24 V DC (incl. relay)

Product Features

- Slim overall width of just 127 mm
- Polarity protection diode
- Supply voltage indicator (LED)
- LED status indicator and freewheeling diode per signal path
- Fuse per output circuit as short-circuit protection
- Plug-in miniature relays each with a PDT with or without detectable manual operation



Key Commercial Data

Packing unit	1 pc
Weight per Piece (excluding packing)	460.0 g
Custom tariff number	85369010
Country of origin	Germany

Technical data

Note

Utilization restriction	EMC: class A product, see manufacturer's declaration in the download area
-------------------------	---------------------------------------------------------------------------

Dimensions

Width	127 mm
Height	111 mm
Depth	64 mm

Ambient conditions

Active module - UM- 8RM/KSR-G24/21/MS/SI/PLC - 2900893

Technical data

Ambient conditions

Ambient temperature (operation)	-20 °C ... 50 °C
Ambient temperature (storage/transport)	-20 °C ... 70 °C

Input data

Nominal input voltage U_N	24 V DC
Input voltage range in reference to U_N	0.9 ... 1.1
Typical input current at U_N	18 mA
Typical response time	9 ms
Typical release time	6 ms
Type of protection	Free-wheeling diode (integrated in relay)
Operating voltage display	Green LED
Status display/channel	Yellow LED (integrated in relay)

Output data

Contact type	Single contact, 1-PDT
Contact material	AgNi
Maximum switching voltage	250 V AC/DC
Minimum switching voltage	12 V AC/DC
Limiting continuous current	3.9 A (observe derating)
Min. switching current	10 mA
Interrupting rating (ohmic load) max.	93 W (24 V DC)
	62 W (48 V DC)
	42 W (60 V DC)
	55 W (110 V DC)
	66 W (220 V DC)
	975 VA (250 V AC)
Output fuse	4 A 5x20 fuse (slow-blow)
Fuse	5x20 fuse

General

No. of channels	8
With components	Yes
Mechanical service life	5×10^6 cycles
Operating mode	100% operating factor
Degree of protection	IP00
Mounting position	any
Assembly instructions	In rows with zero spacing
Color	green
Designation	Air and creepage distances, output/output

Active module - UM- 8RM/KSR-G24/21/MS/SI/PLC - 2900893

Technical data

General

Standards/regulations	DIN EN 50178
	IEC 60664
	IEC 62103
Rated insulation voltage	260 V AC
Rated surge voltage	4 kV (Basic insulation between output contact current paths)
	6 kV (Safe isolation and reinforced insulation between input circuit and output contact paths)
Pollution degree	2
Overvoltage category	III

Connection data for connection 1

Connection name	Controller level
Connection method	IDC/FLK pin strip (2.54 mm)
Number of connections	1
Number of positions	14

Connection data for connection 2

Connection name	Field level
Connection method	Screw connection
Stripping length	8 mm
Screw thread	M3
Conductor cross section solid	0.2 mm ² ... 4 mm ²
Conductor cross section flexible	0.2 mm ² ... 2.5 mm ²
AWG conductor cross section	24 ... 12

Connection data for connection 3

Connection name	Supply
Connection method	Screw connection
Stripping length	8 mm
Screw thread	M3
Conductor cross section solid	0.2 mm ² ... 4 mm ²
Conductor cross section flexible	0.2 mm ² ... 2.5 mm ²
AWG conductor cross section	24 ... 12
Number of connections	2

Supported controller

Corresponding control	MITSUBISHI MELSEC Q
Corresponding I/O card	QY82P
Corresponding control	MITSUBISHI MELSEC L
Corresponding I/O card	LY41PT1P

Active module - UM- 8RM/KSR-G24/21/MS/SI/PLC - 2900893

Technical data

Supported controller

	LY42PT1P
--	----------

Classifications

eCl@ss

eCl@ss 4.0	27371102
eCl@ss 4.1	27371102
eCl@ss 5.0	27371001
eCl@ss 5.1	27371001
eCl@ss 6.0	27371001
eCl@ss 7.0	27371001
eCl@ss 8.0	27371601

ETIM

ETIM 2.0	EC001437
ETIM 3.0	EC001437
ETIM 4.0	EC001437
ETIM 5.0	EC001437

UNSPSC

UNSPSC 6.01	30211916
UNSPSC 7.0901	39121515
UNSPSC 11	39121515
UNSPSC 12.01	39121515
UNSPSC 13.2	39121515

Approvals

Approvals

Approvals

EAC

Ex Approvals

Approvals submitted

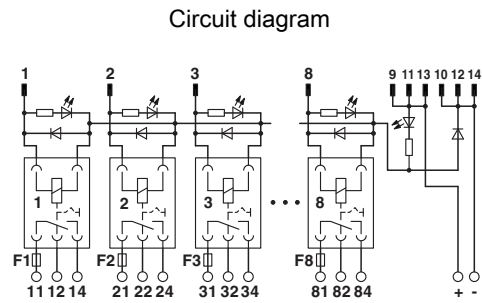
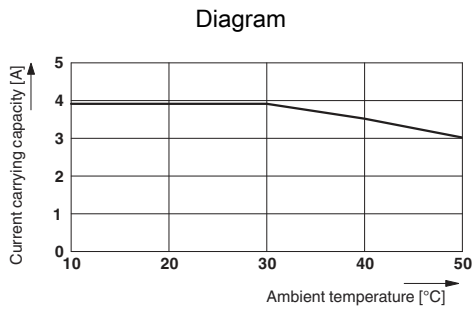
Active module - UM- 8RM/KSR-G24/21/MS/SI/PLC - 2900893

Approvals

Approval details

EAC

Drawings



Derating curve for limiting continuous current