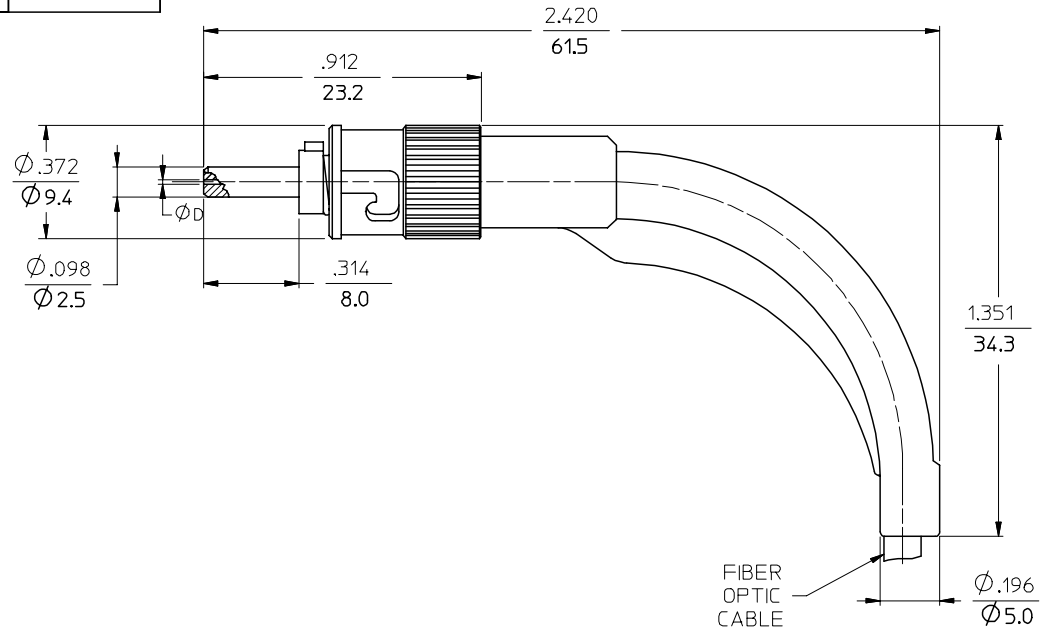


| P/N of CONNECTOR | D (In) | MATERIAL of FERRULE | DIAMETER of CABLE | COLOR of BOOT | CABLE TYPE |
|------------------|--------|---------------------|-------------------|---------------|-------------|
| 106012-0400 | 127 | Zr PLUS | 3 mm | BLACK | MULTIMODE |
| 106012-0410* | | | | RED | |
| 106012-0440 | | | | BLACK | |
| 106012-3400 | 128 | Zr | | RED | SINGLE MODE |
| 106012-3440 | | | | BLACK | |
| 106012-5400 | | | | RED | |
| 106012-5440 | 126 | | BLACK | | |
| 106012-7400 | | | RED | | |
| 106012-7440 | 127 | | | | |



NOTE:

*1. P/N 106012-0410 IS BULK PACKED IN QUANTITIES OF 100 PCS.

| ENTER DESCRIPTION EC NO: MF2006-0490 DRAWN: RPACIFICI CHKD: 2006/02/09 APPR: IGUMIN 2006/02/09 | DESCRIPTION REV | QUALITY SYMBOLS | GENERAL TOLERANCES (UNLESS SPECIFIED) | DIMENSION STYLE | SCALE | DESIGN UNITS | THIRD ANGLE PROJECTION | | | | | | | | | | | | | | | |
|------------------------------------------------------------------------------------------------------------|---------------------------------------------------------------------------------------------------------------------------------------------------------------------------------------------------------------------------------------------------------------------------------------------------------------------------------------------------------|--------------------------|---------------------------------------------------------------------------------------------------------------------------------------------------------------------------------------------------------------------------------------------------------------------------------------------------------------------------------------------------------|-----------------|-------------------------------------------------------------------------------------------------------------------------------|--------------|------------------------|----------|-------|----------|----------|-------|----------|---------|-------|---------|------------------------------------------------------------------------------------------------------------------|-------|--------------|-----|------|--|
| | | $\nabla=0$ $\nabla=0$ | <table border="1"> <thead> <tr> <th></th> <th>mm</th> <th>INCH</th> </tr> </thead> <tbody> <tr> <td>4 PLACES</td> <td>± ---</td> <td>± ---</td> </tr> <tr> <td>3 PLACES</td> <td>± ---</td> <td>± ---</td> </tr> <tr> <td>2 PLACES</td> <td>± ---</td> <td>± ---</td> </tr> <tr> <td>1 PLACE</td> <td>± ---</td> <td>± ---</td> </tr> </tbody> </table> | | mm | INCH | 4 PLACES | ± --- | ± --- | 3 PLACES | ± --- | ± --- | 2 PLACES | ± --- | ± --- | 1 PLACE | ± --- | ± --- | IN/MM | 4:1 | INCH | |
| | | | mm | INCH | | | | | | | | | | | | | | | | | | |
| | | 4 PLACES | ± --- | ± --- | | | | | | | | | | | | | | | | | | |
| 3 PLACES | ± --- | ± --- | | | | | | | | | | | | | | | | | | | | |
| 2 PLACES | ± --- | ± --- | | | | | | | | | | | | | | | | | | | | |
| 1 PLACE | ± --- | ± --- | | | | | | | | | | | | | | | | | | | | |
| | <table border="1"> <thead> <tr> <th></th> <th>mm</th> <th>INCH</th> </tr> </thead> <tbody> <tr> <td>4 PLACES</td> <td>± ---</td> <td>± ---</td> </tr> <tr> <td>3 PLACES</td> <td>± ---</td> <td>± ---</td> </tr> <tr> <td>2 PLACES</td> <td>± ---</td> <td>± ---</td> </tr> <tr> <td>1 PLACE</td> <td>± ---</td> <td>± ---</td> </tr> </tbody> </table> | | mm | INCH | 4 PLACES | ± --- | ± --- | 3 PLACES | ± --- | ± --- | 2 PLACES | ± --- | ± --- | 1 PLACE | ± --- | ± --- | DRAWN BY: RPACIFICI DATE: 2006/01/24 CHECKED BY: _____ DATE: _____ APPROVED BY: _____ DATE: _____ | TITLE | ST CONNECTOR | | | |
| | mm | INCH | | | | | | | | | | | | | | | | | | | | |
| 4 PLACES | ± --- | ± --- | | | | | | | | | | | | | | | | | | | | |
| 3 PLACES | ± --- | ± --- | | | | | | | | | | | | | | | | | | | | |
| 2 PLACES | ± --- | ± --- | | | | | | | | | | | | | | | | | | | | |
| 1 PLACE | ± --- | ± --- | | | | | | | | | | | | | | | | | | | | |
| | | ANGULAR ±1/2° | DRAFT WHERE APPLICABLE MUST REMAIN WITHIN DIMENSIONS | MATERIAL NO. | DOCUMENT NO. | SHEET NO. | | | | | | | | | | | | | | | | |
| | | | | SEE TABLE | SD-106012-XXX0 | 1 OF 1 | | | | | | | | | | | | | | | | |
| | | | | SIZE B | THIS DRAWING CONTAINS INFORMATION THAT IS PROPRIETARY TO MOLEX INCORPORATED AND SHOULD NOT BE USED WITHOUT WRITTEN PERMISSION | | | | | | | | | | | | | | | | | |