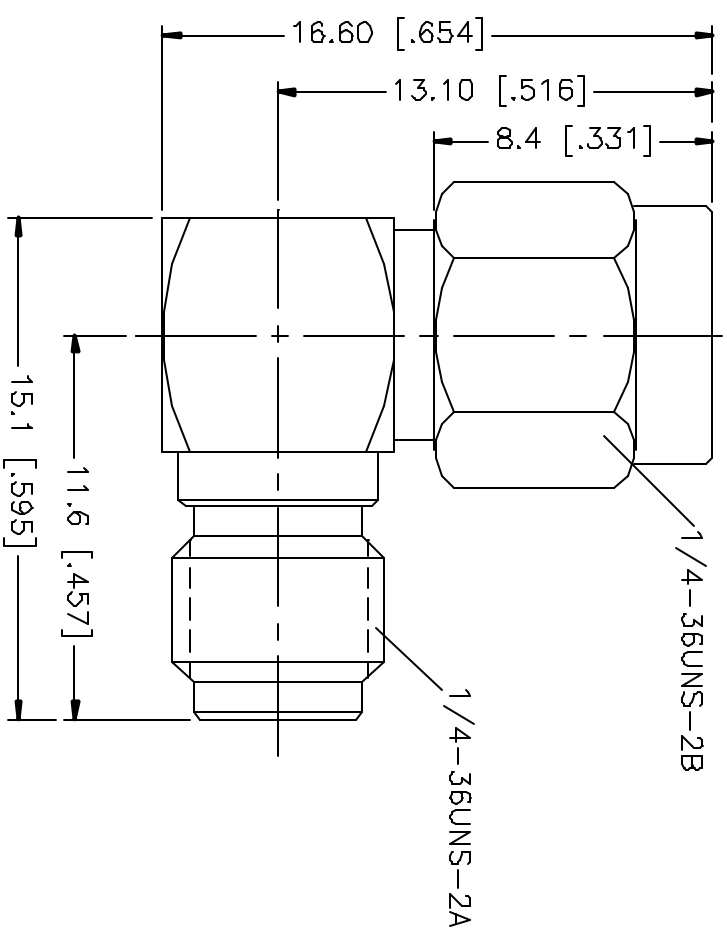


REV.	DATE	DESCRIPTION
NC	10/09/00	INITIAL RELEASE



DESCRIPTION	MATERIAL	FINISH	UNLESS OTHERWISE SPECIFIED, DIMENSIONS ARE IN MILLIMETERS	APPROVALS	DATE	comnex Connector Corporation
1 BODY	BRASS	GOLD	DIMENSIONS IN () ARE IN INCHES	DRAWN G.R.S.	10/09/00	
2 INSULATOR	TEFLON	NATURAL	FOR CUSTOMER REFERENCE ONLY	CHECKED		
3 CONTACT PIN	BER. COPPER	GOLD	UNLESS OTHERWISE SPECIFIED, TOLERANCES FOR MILLIMETERS ARE:	ISSUED		
4			0.5-6 - ± 0.2			
5			6-30 - ± 0.4			
6			30-120 - ± 0.6			
7			120-315 - ± 1			
8			315-1000 - ± 1.5			
			1000-2000 - ± 2.4			
			DO NOT SCALE DRAWING			TITLE SMA PLUG TO SMA REVERSE POLARIZED JACK ADAPTER SIZE FCBN NO. DWG. NO. REV. A 99001 132172RP, DWG NC SCALE NA PART NO. 132172RP SHEET 1 OF 1