

TABLE 1	
DASH NO	DESCRIPTION
-1	TERM (NO CHAIN)
-2	TERM WITH 2.5 BRASS CHAIN
-3	TERM WITH 2.5 NYLON CHAIN
-4	TERM WITH 3.0 BRASS CHAIN
-5	TERM WITH 3.0 NYLON CHAIN
-6	TERM WITH 6.0 BRASS CHAIN
-7	TERM WITH 6.0 NYLON CHAIN
-8	TERM WITH 4.0 BRASS CHAIN
-9	TERM WITH 4.0 NYLON CHAIN
-10	TERM WITH 10.0 BRASS CHAIN
-11	TERM WITH 10.0 NYLON CHAIN

TABLE 1	
DASH NO	DESCRIPTION
-12	TERM WITH 2.5 JACKETED STAINLESS STEEL ROPE
-13	TERM WITH 3.0 JACKETED STAINLESS STEEL ROPE
-14	TERM WITH 6.0 JACKETED STAINLESS STEEL ROPE
-15	TERM WITH 4.0 JACKETED STAINLESS STEEL ROPE
-16	TERM WITH 7.0 JACKETED STAINLESS STEEL ROPE
-17	TERM WITH 4.5 JACKETED STAINLESS STEEL ROPE
-18	TERM WITH 12.0 JACKETED STAINLESS STEEL ROPE
-19	TERM WITH 18.0 JACKETED STAINLESS STEEL ROPE

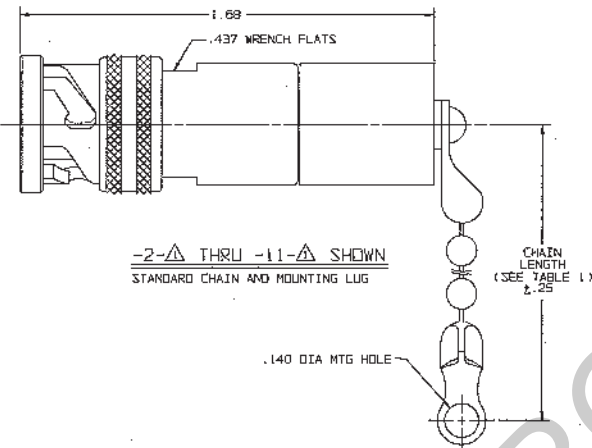
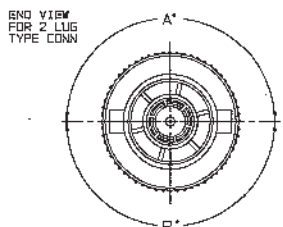
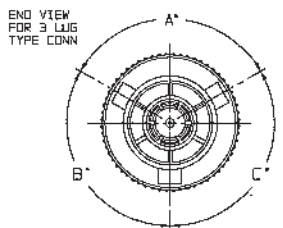
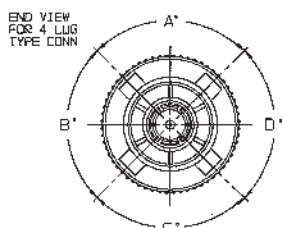
TABLE 2					
MODEL NO	TYPE CONN	POLARIZATION			
		A DEGREE	B DEGREE	C DEGREE	D DEGREE
TNG1	3 LUG	120*	120*	120*	---
TNGFL1	4 LUG	90*	90*	90*	90*
TNGTL1	2 LUG	180*	180*	---	---
TNG1T	3 LUG	100*	150*	110*	---
TNG1U		120*	130*	110*	---
TNG1V		115*	130*	115*	---
TNG1W		125*	110*	125*	---
TNG1X		130*	100*	130*	---
TNG1Y	110*	140*	110*	---	
TNG1Z	100*	160*	100*	---	
TNG1S	135*	135*	90*	---	

TABLE 3				
DASH NO	*A" DIA	*B" DIA	*C" DIM	*D" DIM
-01	.755	.875	1.191	.512
-02	.830	.750	1.066	.450
-03	.505	.625	.841	.388
-04	.439	.562	.878	.355
-05	.380	.500	.816	.325
-06	.317	.437	.753	.295
-07	.281	.406	.722	.278
-08	.810	.750	1.066	.450
-09	.567	.687	1.003	.419
-10	.192	.312	.628	.231
-008	.330	.450	.766	.300

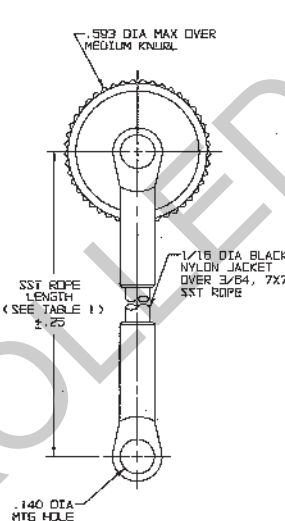
DATA CONTAINED ON THIS DOCUMENT IS PROPRIETARY TO TROMPETER ELECTRONICS, INC. AND SHALL NOT BE DISCLOSED, COPIED OR USED IN ANY MANNER WITHOUT THE WRITTEN PERMISSION OF TROMPETER ELECTRONICS, INC.

REVISIONS		310-0033	SH 1C
REV	DESCRIPTION	DATE	APPROVED
AG	REVISED PER ECO 16890	2/1/09	<i>M. G.</i>

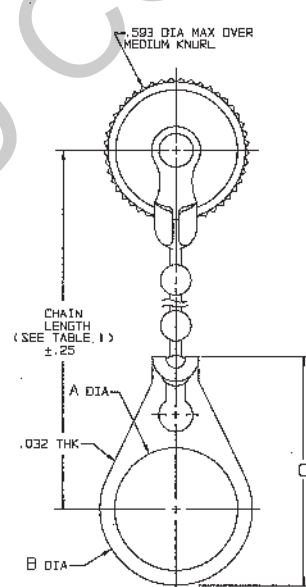
RED INDICATES ORIGINAL



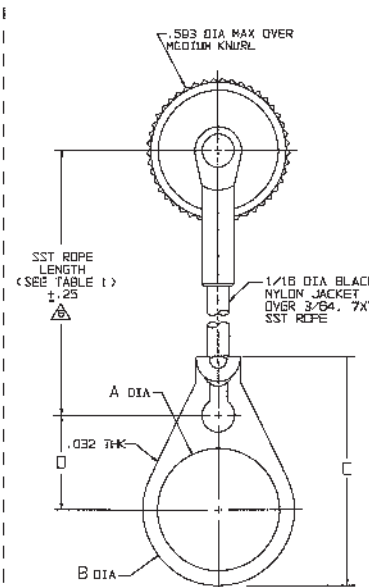
-2- thru -11- SHOWN
STANDARD CHAIN AND MOUNTING LUG



-12- thru
-19- SHOWN
STAINLESS STEEL ROPE AND MOUNTING LUG

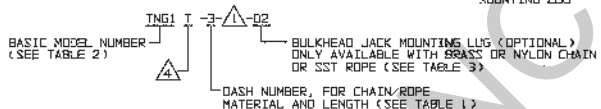


-2- thru -01 thru
-11- thru -008 SHOWN
STANDARD CHAIN AND BULKHEAD JACK MOUNTING LUG



-12- thru -01 thru
-19- thru -008 SHOWN
STAINLESS STEEL ROPE AND BULKHEAD JACK MOUNTING LUG

3. EXAMPLE OF COMPLETE MODEL NUMBER:

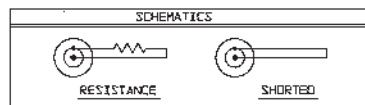


2. 2, 3 AND 4 LUG CONCENTRIC TWINAX/TRIAX TERMINATION PLUG WITH CHAIN, SST ROPE AND MOUNTING LUG OPTIONS

RESISTANCE VALUE IN OHMS, 1/2W, 1%. *S* = CONTACT SHORTED TO INNER SHIELD (NO RESISTOR) *0* = LOOSELY ASSEMBLED (NO RESISTOR)

NOTE THAT LENGTH FOR SST ROPE WITH MOUNTING LUG OPTION IS NOT MEASURED TO CENTER OF BULKHEAD MOUNTING LUG

POLARIZATION LETTER, NONE REQUIRED FOR STANDARD POLARIZATION LETTER CODE (SEE TABLE 2)



UNLESS SPECIFIED ALL DIMENSIONS ARE TO FEET UNLESS OTHERWISE SPECIFIED	TOL. UNLESS SPECIFIED INCH ± .04 MILL ± .010 ANGLES UNLESS OTHERWISE SPECIFIED
DRAWN: L.M. DATE: 3-24-09	CHECKED: M.S. DATE: 3-24-09
QUALITY: [Signature]	APPROVED: [Signature]
DATE: 3/30/09	FILE NO: 310-0033AG

TROMPETER RF connectivity	
TITLE: TNG1/TNGFL1/TNGTL1/TNG1T; U, V, W, X, Y, Z & S	REV: AG
SIZE: A 14949	DRAWING NO: 310-0033
SCALE: 4/1	DATE: 7-15-88
SHEET: 1C	SHEET: 1C

NEXT ASSY

DO NOT SCALE DIM