

## SUMMARY



Image is for illustrative purpose only

### # Wires

Triax 1

Series 4E  
Termination type Male solder  
IP rating 66  
AWG wire size 0.00 - 0.00  
Cable Ø 0.00 - 0.00 mm  
Status active  
Matching parts [EHN.4E.675.CTL](#)

### Download

[Request a quote](#)  
[Catalog](#)

## TECHNICAL DETAILS

### Mechanics

Shell Style/Model FBE\*: Fixed plug with round flange and tag, nut fixing  
Keying Circular, male  
Housing Material Brass (chrome plated [SAE AMS 2460]) shell, collet nut and latch sleeve, nickel plated [SAE AMS QQ N 290] brass mid pieces  
Weight 179.02 g

### Performance

Configuration 4E.675 : 1 Triax (75 Ohm)  
Insulator T: PTFE  
Rated Current 15 Amps

### Specifications

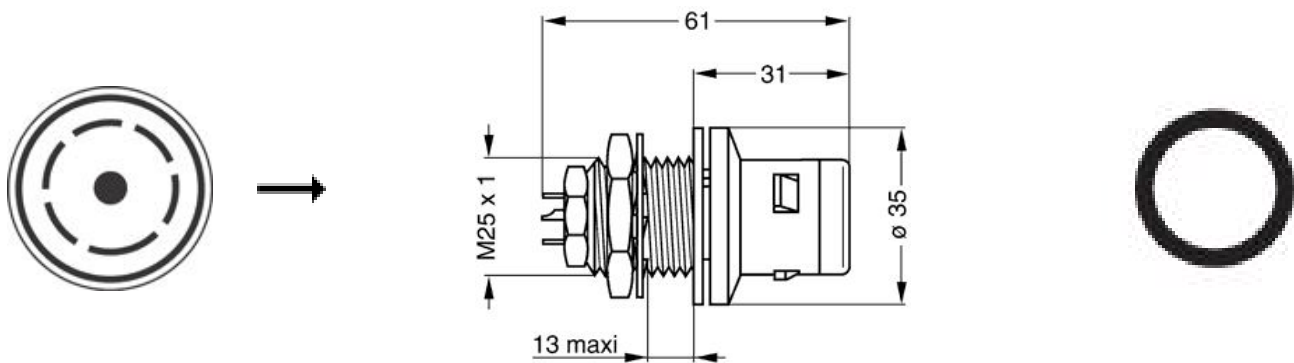
Contact Type: Solder  
Vtest: 1500 V (AC), 2120 V (DC)  
Impedance: 75 Ohm  
VSWR: 1.01 + 0.14 \* f/GHz  
Cable type: Belden 8215,8232A,HF-2426,Triax 8 Nokia,375 029 LEDE, Belden 9267,8233A, Triax 11 Nokia,466 140 LEDE

### Others

LEMO products and services are provided "as is". LEMO makes no warranties or representations with regard to LEMO product & services or use of them, express, implied or statutory, including for accuracy, completeness, or security. The user is fully responsible for his products and applications using LEMO components.

Endurance (Shell): 5000 mating cycles  
 Temp (min / max): -55°C / +200°C  
 Humidity (max): <=95% [at 60 deg C / 140 F]  
 Vibration: 15 g [10 Hz - 2000 Hz]  
 Shock Resistance: 100 g [ 6 ms]  
 Climatical Category: 55/175/21  
 Shielding (min): 85 dB (10 MHz)  
 F ret (min): 90 N  
 Salt Spray Corrosion: >1000 hr

## DRAWINGS



### Dimensions

	A	L	e
mm.	35	61	M25x1.0
in.	1,38	2,40	

## RECOMMENDED BY LEMO

### Tools

Spanner wrench: [DCD.4E.ZZZ.PA190](#)

*LEMO products and services are provided "as is". LEMO makes no warranties or representations with regard to LEMO product & services or use of them, express, implied or statutory, including for accuracy, completeness, or security. The user is fully responsible for his products and applications using LEMO components.*

*LEMO products and services are provided "as is". LEMO makes no warranties or representations with regard to LEMO product & services or use of them, express, implied or statutory, including for accuracy, completeness, or security. The user is fully responsible for his products and applications using LEMO components.*