



Series 225C

7.2 x 7.2mm IP67 Rated Tactile Switch

- Standard through hole terminal configurations
- Compatible with wave soldering and manual soldering
- IP67 protection
- Excellent tactile feel



Description

Excellent tactile feedback provides the user with simple and intuitive operation. The robust internal structure ensures long product life to meet various application requirements. Common product dimensions provide options to match your existing applications. Ordering Information

Ordering Information

Series	Terminal Type	Actuating Direction	Actuator Height "L"	Actuation Force	Packaging
225C	T	V	A	A	T

Code	Spec.
T	Through hole terminal

Code	Spec.
V	Vertical

Code	Spec.
A	4.7mm
B	7.0mm
C	10.0mm
D	5.2mm

Code	Spec.
A	130 gf, white
B	300 gf, gray
C	500 gf, red
D	200 gf, gray

Code	Spec.
T	Tube package

Electrical Specifications

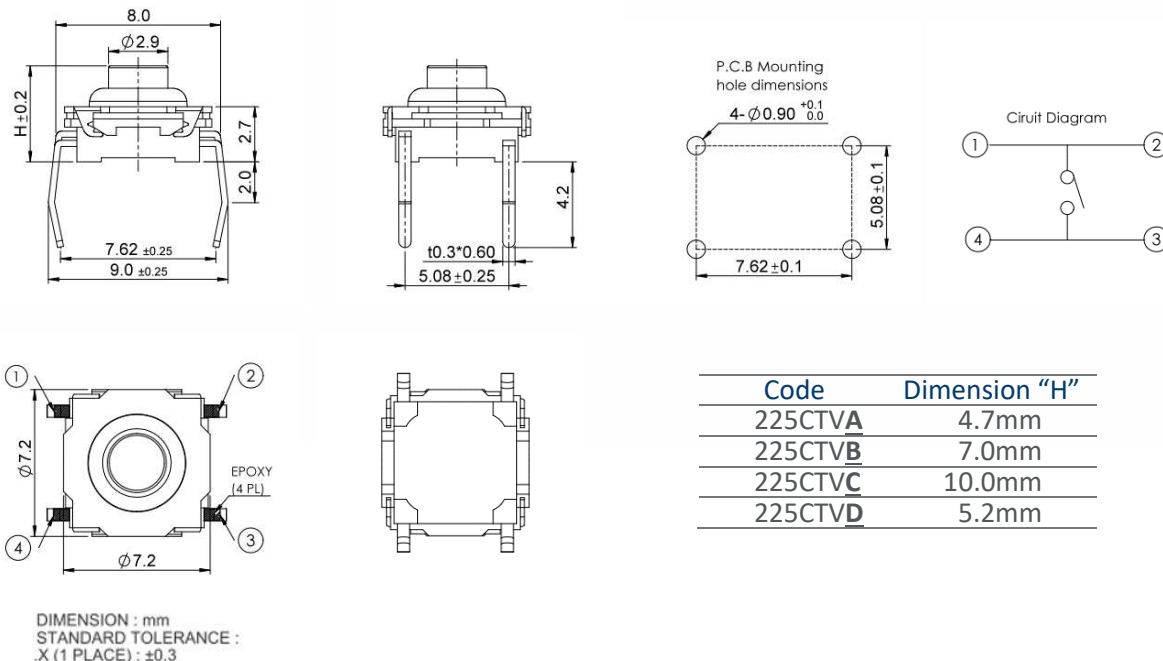
Parameter	Conditions & Remarks	Min	Max	Unit
Contact Resistance			100	milliohms
Insulation Resistance	Between insulated terminals	100		megohms
Dielectric Strength	250 VAC between adjacent switches	1		minute
Nonswitching Rating			50 12	mA VDC

Mechanical and Environmental

Soldering	Maximum wave soldering temperature, 260°C for 5 seconds Maximum manual temperature, 350°C for 3 seconds
RoHS	Lead-Free. Fully compliant to RoHS Directive 2011/65/EU and 2015/863
Operating Force	130±32, 200±50, 300±75, 500±125 gf
Actuation Life	100,000 cycles
Actuator Strength	2 Kgf
Travel	0.5±0.2mm
Operating Temperature Range	-20°C to +70°C
Storage Temperature Range	-30°C to +80°C
Ingress Protection	IP67

Mechanical Specifications

Figure 1 –Standard Though Hole



Packing information:

The packing specifications:

1. Packing materials:

No	PART NAME	MATERIAL
1	Carton	Corrugated paper
2	Tube	PS
3	Tube plug	Rubber
4	Package bag	PE



Tube



Tube plug

2. Every tube contains 60 pcs goods at most.
3. Every package contains 30 tubes at most.
4. Every carton box contains 8 package bags at most.
5. Carton dimensions:

