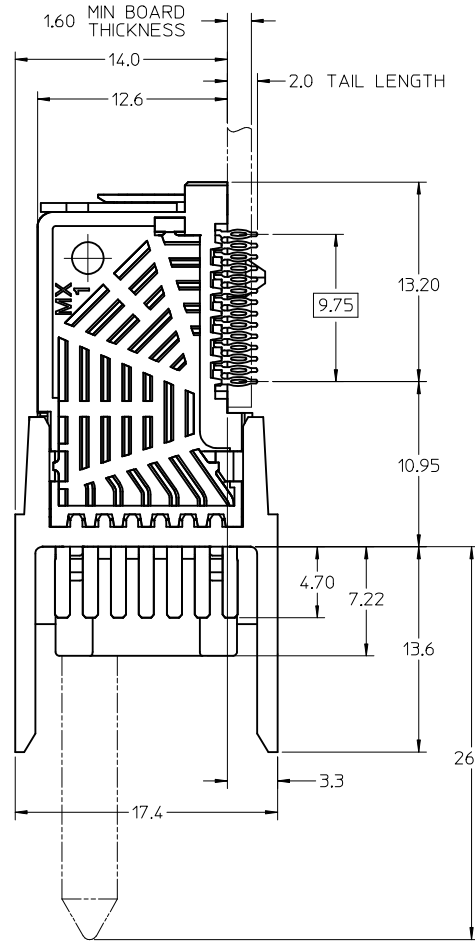
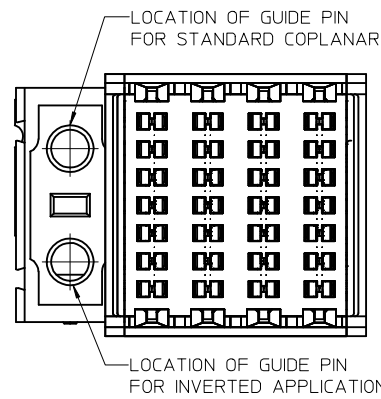
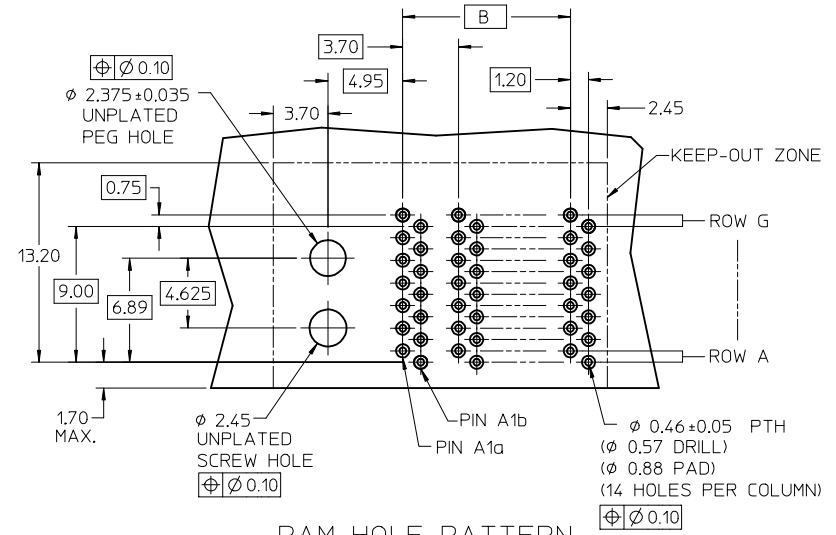


ADDITIONAL SPACE REQUIRED FOR END WALL VERSION



STANDARD PIN OPTION
(76011-***3)
(76011-***7)



RAM HOLE PATTERN
(CONNECTOR SIDE)

- NOTES:
1. MATERIALS: HOUSING - LIQUID CRYSTAL POLYMER (LCP), BLACK, UL 94V-0
TERMINALS - HIGH PERFORMANCE COPPER ALLOY
 2. FINISH: SELECTIVE GOLD (Au) IN CONTACT AREA,
SELECTIVE MATTE TIN (Sn) IN TAIL AREA,
NICKEL (Ni) UNDERPLATE OVERALL.
 3. MOLEX PRODUCT SPECIFICATION: PS-75710-999.
 4. OPTIONAL GUIDE PIN SHOWN IN COPLANAR LOCATION.
 5. THIS PART CONFORMS TO CLASS B REQUIREMENTS OF
COSMETIC SPEC PS-45499-002.
 6. PACKAGED PER PK-70873-588.
 7. MAPS (MOLEX ADVANCED PLATING SYSTEM).

LEAD FREE CON/MAPS EC NO: UCP2013-4120 DRW: BARKER 2012/11/12 CHKD: MOLLFE 2013/03/20 APPR: MILLER 2013/08/05	QUALITY SYMBOLS ▽=0 ▽=0 ▽=0	GENERAL TOLERANCES (UNLESS SPECIFIED)		DIMENSION STYLE MM ONLY		SCALE 4:1	DESIGN UNITS METRIC	THIRD ANGLE PROJECTION		
		mm	INCH	DRAWN BY ELO	DATE 2006/05/04	TITLE I-TRAC 7-ROW RIGHT ANGLE MALE GUIDE LEFT ASSEMBLY				
		4 PLACES ± ---	± ---	CHECKED BY ELO	DATE 2007/02/02	molex DOCUMENT NO. SD-76011-002 SHEET NO. 1 OF 3				
		3 PLACES ± ---	± ---	APPROVED BY CB XLER	DATE 2007/02/05					
2 PLACES ± 0.13	± ---	MATERIAL NO.			SEE SHEET 2					
1 PLACE ± 0.25	± ---	ANGULAR ± ---°			DRAFT WHERE APPLICABLE MUST REMAIN WITHIN DIMENSIONS					
0 PLACE ±	±	THIS DRAWING CONTAINS INFORMATION THAT IS PROPRIETARY TO MOLEX INCORPORATED AND SHOULD NOT BE USED WITHOUT WRITTEN PERMISSION								

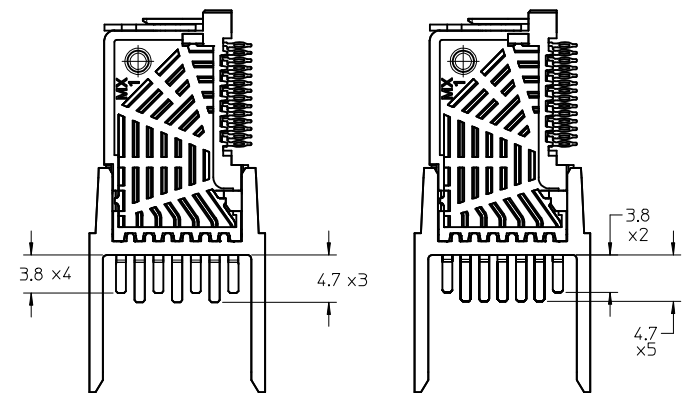
7 6 0 1 1 - * * * *

MODULE TYPE - TAIL PLATING TYPE
 GUIDE LEFT, - MATTE TIN (FORMERLY TIN/LEAD) = 2
 GUIDE LEFT, - MATTE TIN = 3
 GUIDE LEFT, END WALL - MATTE TIN (FORMERLY TIN/LEAD) = 6
 GUIDE LEFT, END WALL - MATTE TIN = 7

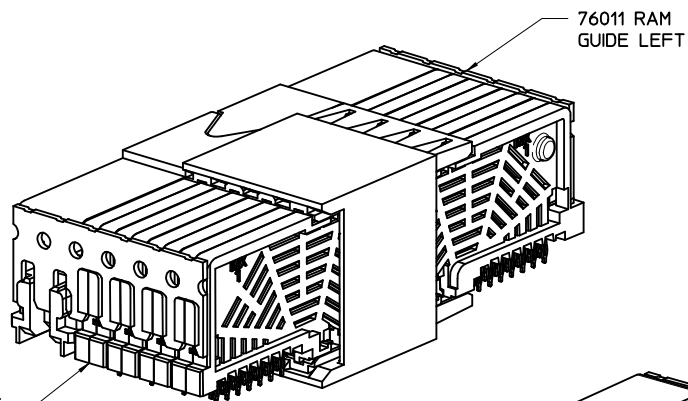
OF COLUMNS
 4 = 4 COL
 6 = 6 COL
 1 = 10 COL

PIN LENGTH/PLATING
 3 = 4.70 30 GOLD
 5 = 4 X 3.80, 3 X 4.70 STAGGERED 30 GOLD
 6 = 2 X 3.80, 5 X 4.70 STAGGERED 30 GOLD
 7 = 4.70 10 GOLD (MAPS)
 8 = 4 X 3.80, 3 X 4.70 STAGGERED 10 GOLD (MAPS)
 9 = 2 X 3.80, 5 X 4.70 STAGGERED 10 GOLD (MAPS)

ORIENTATION OF GUIDE POST
 2 = COPLANAR
 3 = INVERTED



STAGGERED PIN OPTION (76011-***5) (76011-***8)
 STAGGERED PIN OPTION (76011-***6) (76011-***9)

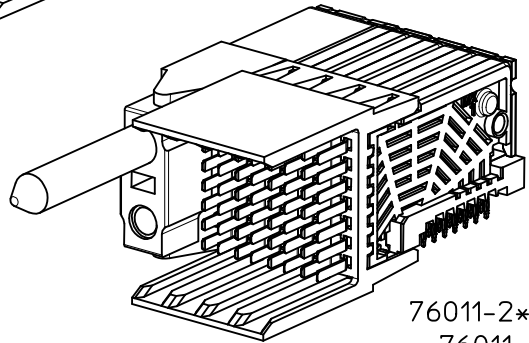


76011 RAM GUIDE LEFT

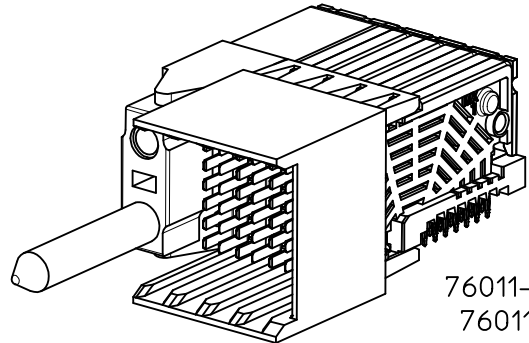
76020 DC GUIDE RIGHT

NOTE:

WHEN MATING RIGHT ANGLE MALE (RAM) TO A DAUGHTERCARD IN A COPLANAR APPLICATION, THE GUIDE CONFIGURATION IS OPPOSING (DC GUIDE RIGHT MATED TO RAM GUIDE LEFT). WHEN INVERTED, THE RAM AND DAUGHTERCARD HAVE THE SAME GUIDE CONFIGURATION (DC GUIDE LEFT MATED TO RAM GUIDE LEFT). (SEE SHEET 3)



76011-2*2* or 76011-3*2* GUIDE LEFT, COPLANAR

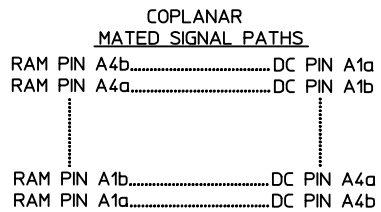
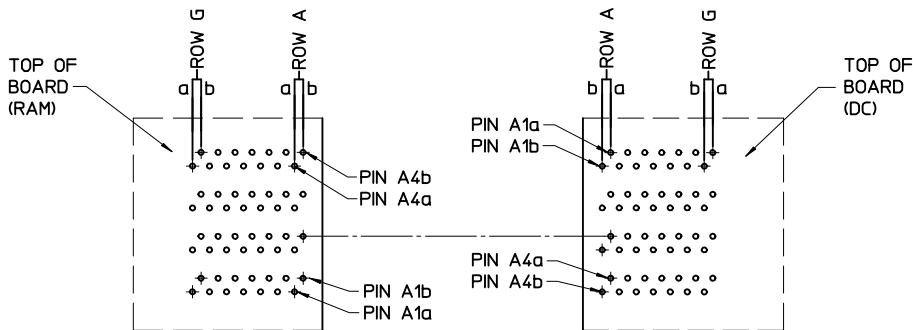
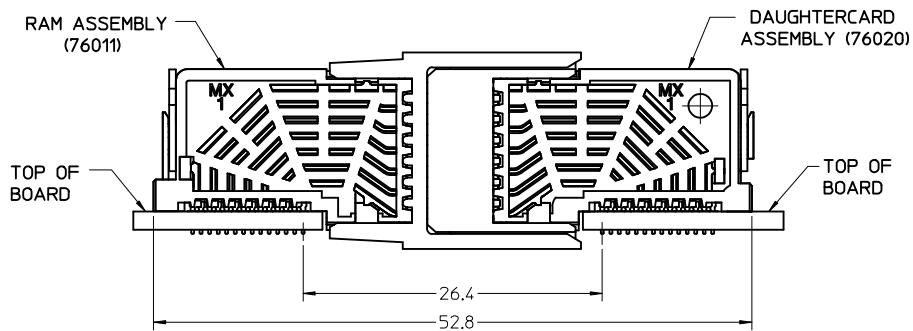


76011-6*3* or 76011-7*3* GUIDE LEFT, END WALL, INVERTED

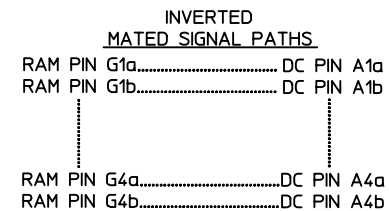
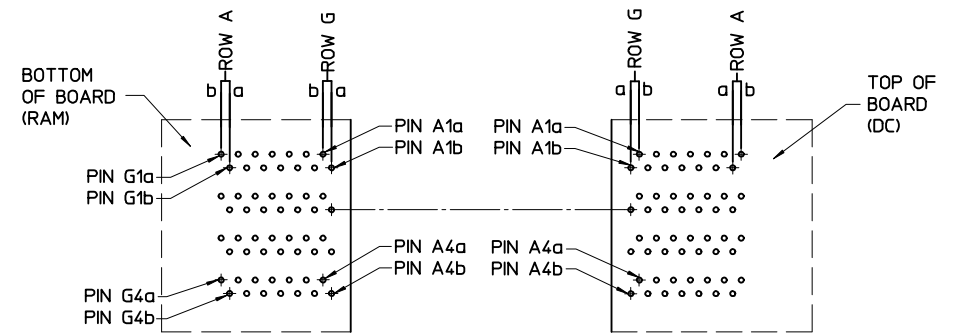
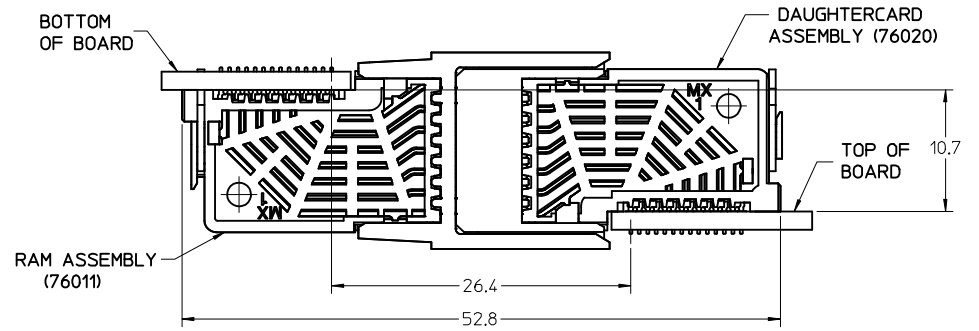
PART NUMBER	# OF COLUMNS	DIM "A" MAX	DIM "B"
76011 - *4**	4	22.06	11.10
76011 - *6**	6	29.60	18.50
76011 - *1**	10	44.40	33.30

SEE SHEET 1 EC NO: UCP2013-4120 DRW: BARKER 2012/11/12 CHK: MOLLER 2013/03/20 APPR: MILLER 2013/08/05	QUALITY SYMBOLS	GENERAL TOLERANCES (UNLESS SPECIFIED)	DIMENSION STYLE MM ONLY	SCALE 3:1	DESIGN UNITS METRIC	THIRD ANGLE PROJECTION
	▽=0	mm INCH	DRAWN BY DATE ELO 2006/05/04	TITLE	I-TRAC 7-ROW RIGHT ANGLE MALE GUIDE LEFT ASSEMBLY molex SD-76011-002 SHEET NO. 2 OF 3	
	▽=0	4 PLACES ± --- ± ---	CHECKED BY DATE ELO 2007/02/02			
	▽=0	3 PLACES ± --- ± ---	APPROVED BY DATE CBIXLER 2007/02/05			
▽=0	2 PLACES ± 0.13 ± ---	MATERIAL NO.				
		1 PLACE ± 0.25 ± ---	SEE ABOVE	DOCUMENT NO.		
		0 PLACE ± ±	ANGULAR ± --- °	THIS DRAWING CONTAINS INFORMATION THAT IS PROPRIETARY TO MOLEX INCORPORATED AND SHOULD NOT BE USED WITHOUT WRITTEN PERMISSION		
			DRAFT WHERE APPLICABLE MUST REMAIN WITHIN DIMENSIONS			

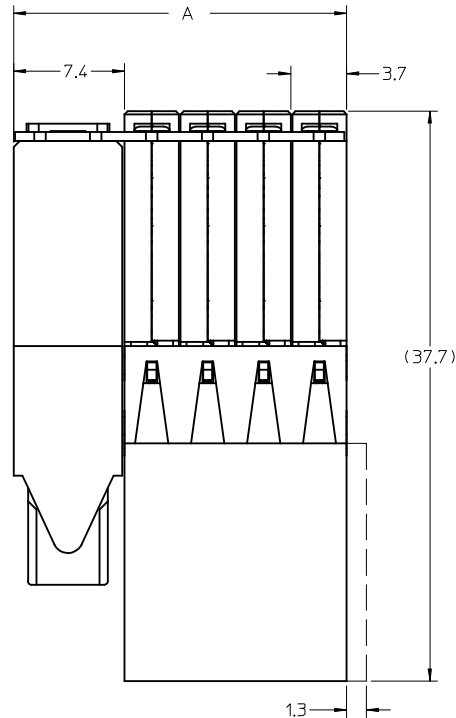
COPLANAR APPLICATION



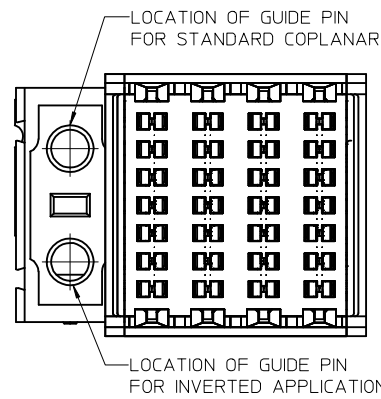
INVERTED APPLICATION



SEE SHEET 1 EC NO: UCP2013-4120 2012/11/12 DRW:BBARKER 2013/03/20 CHKD:MMOLFE 2013/08/05 APPR:SMILLER	QUALITY SYMBOLS ∇=0 ∇=0 ∇=0	GENERAL TOLERANCES (UNLESS SPECIFIED) mm INCH 4 PLACES ± --- ± --- 3 PLACES ± --- ± --- 2 PLACES ± 0.13 ± --- 1 PLACE ± 0.25 ± --- 0 PLACE ± ± ANGULAR ± ---°	DIMENSION STYLE MM ONLY DRAWN BY DATE ELO 2006/05/04 CHECKED BY DATE ELO 2007/02/02 APPROVED BY DATE CBI XLER 2007/02/05	SCALE 2:1 DESIGN UNITS METRIC THIRD ANGLE PROJECTION	TITLE I-TRAC 7-ROW RIGHT ANGLE MALE GUIDE LEFT ASSEMBLY molex	MATERIAL NO. SEE SHEET 2 DOCUMENT NO. SD-76011-002 SHEET NO. 3 OF 3
	DRAFT WHERE APPLICABLE MUST REMAIN WITHIN DIMENSIONS	THIS DRAWING CONTAINS INFORMATION THAT IS PROPRIETARY TO MOLEX INCORPORATED AND SHOULD NOT BE USED WITHOUT WRITTEN PERMISSION				

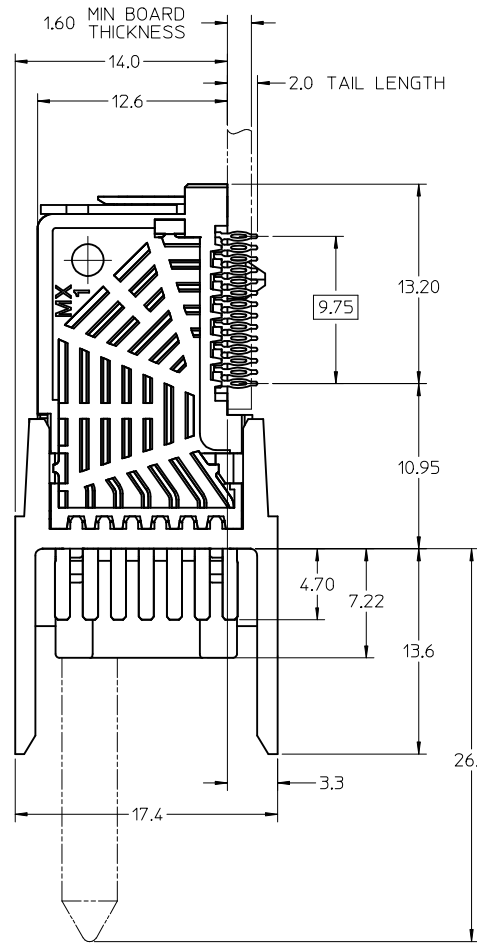


ADDITIONAL SPACE REQUIRED FOR END WALL VERSION

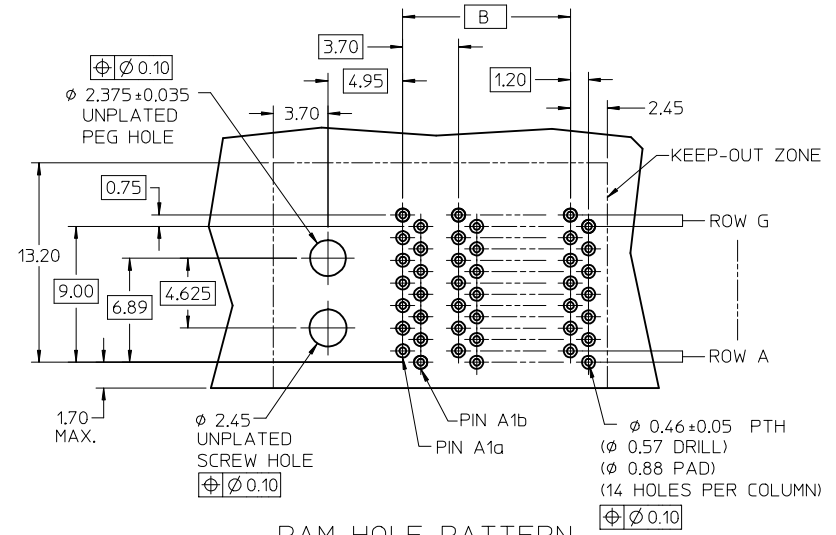


LOCATION OF GUIDE PIN FOR STANDARD COPLANAR

LOCATION OF GUIDE PIN FOR INVERTED APPLICATION



STANDARD PIN OPTION
(76011-***3)
(76011-***7)



RAM HOLE PATTERN
(CONNECTOR SIDE)

- NOTES:
1. MATERIALS: HOUSING - LIQUID CRYSTAL POLYMER (LCP), BLACK, UL 94V-0
TERMINALS - HIGH PERFORMANCE COPPER ALLOY
 2. FINISH: SELECTIVE GOLD (Au) IN CONTACT AREA,
SELECTIVE MATTE TIN (Sn) IN TAIL AREA,
NICKEL (Ni) UNDERPLATE OVERALL.
 3. MOLEX PRODUCT SPECIFICATION: PS-75710-999.
 4. OPTIONAL GUIDE PIN SHOWN IN COPLANAR LOCATION.
 5. THIS PART CONFORMS TO CLASS B REQUIREMENTS OF
COSMETIC SPEC PS-45499-002.
 6. PACKAGED PER PK-70873-588.
 7. MAPS (MOLEX ADVANCED PLATING SYSTEM).

LEAD FREE CON/MAPS EC NO: UCP2013-4120 DRW: BARKER 2012/11/12 CHKD: MOLLER 2013/03/20 APPR: MILLER 2013/08/05	QUALITY SYMBOLS ▽=0 ▽=0 ▽=0	GENERAL TOLERANCES (UNLESS SPECIFIED)		DIMENSION STYLE MM ONLY		SCALE 4:1	DESIGN UNITS METRIC	THIRD ANGLE PROJECTION	
		4 PLACES ± --- ± ---	3 PLACES ± --- ± ---	2 PLACES ± 0.13 ± ---	1 PLACE ± 0.25 ± ---	0 PLACE ± ±	DRAWN BY ELO 2006/05/04	CHECKED BY ELO 2007/02/02	APPROVED BY CB XLER 2007/02/05
		ANGULAR ± --- °		DRAFT WHERE APPLICABLE MUST REMAIN WITHIN DIMENSIONS		MATERIAL NO. SEE SHEET 2		DOCUMENT NO. SD-76011-002	
		THIS DRAWING CONTAINS INFORMATION THAT IS PROPRIETARY TO MOLEX INCORPORATED AND SHOULD NOT BE USED WITHOUT WRITTEN PERMISSION		SHEET NO. 1 OF 3					

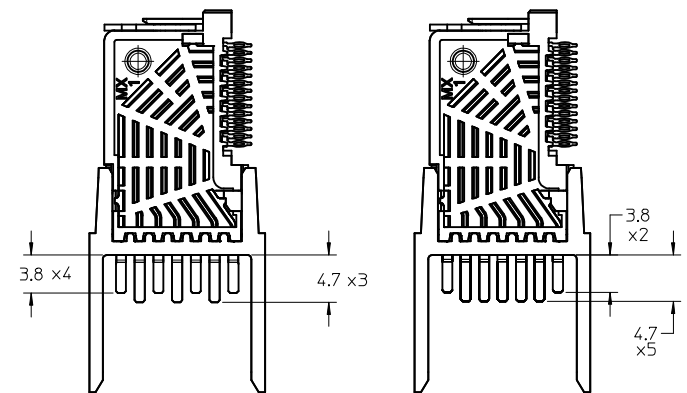
7 6 0 1 1 - * * * *

MODULE TYPE - TAIL PLATING TYPE
 GUIDE LEFT, - MATTE TIN (FORMERLY TIN/LEAD) = 2
 GUIDE LEFT, - MATTE TIN = 3
 GUIDE LEFT, END WALL - MATTE TIN (FORMERLY TIN/LEAD) = 6
 GUIDE LEFT, END WALL - MATTE TIN = 7

OF COLUMNS
 4 = 4 COL
 6 = 6 COL
 1 = 10 COL

PIN LENGTH/PLATING
 3 = 4.70 30 GOLD
 5 = 4 X 3.80, 3 X 4.70 STAGGERED 30 GOLD
 6 = 2 X 3.80, 5 X 4.70 STAGGERED 30 GOLD
 7 = 4.70 10 GOLD (MAPS)
 8 = 4 X 3.80, 3 X 4.70 STAGGERED 10 GOLD (MAPS)
 9 = 2 X 3.80, 5 X 4.70 STAGGERED 10 GOLD (MAPS)

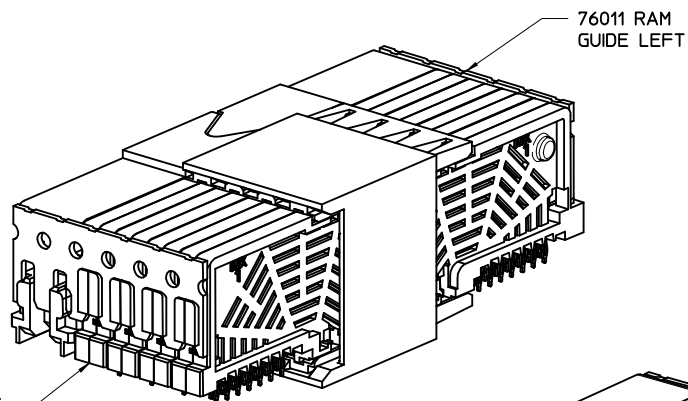
ORIENTATION OF GUIDE POST
 2 = COPLANAR
 3 = INVERTED



STAGGERED PIN OPTION (76011-***5) (76011-***8)
 STAGGERED PIN OPTION (76011-***6) (76011-***9)

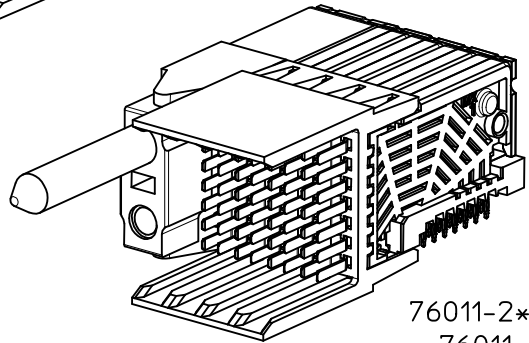
NOTE:

WHEN MATING RIGHT ANGLE MALE (RAM) TO A DAUGHTERCARD IN A COPLANAR APPLICATION, THE GUIDE CONFIGURATION IS OPPOSING (DC GUIDE RIGHT MATED TO RAM GUIDE LEFT). WHEN INVERTED, THE RAM AND DAUGHTERCARD HAVE THE SAME GUIDE CONFIGURATION (DC GUIDE LEFT MATED TO RAM GUIDE LEFT). (SEE SHEET 3)

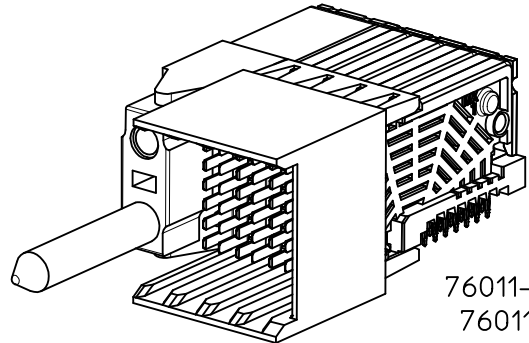


76011 RAM GUIDE LEFT

76020 DC GUIDE RIGHT



76011-2*2* or 76011-3*2* GUIDE LEFT, COPLANAR

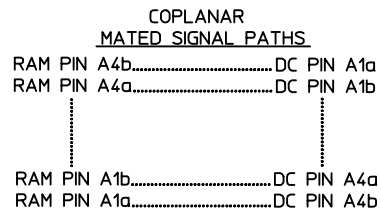
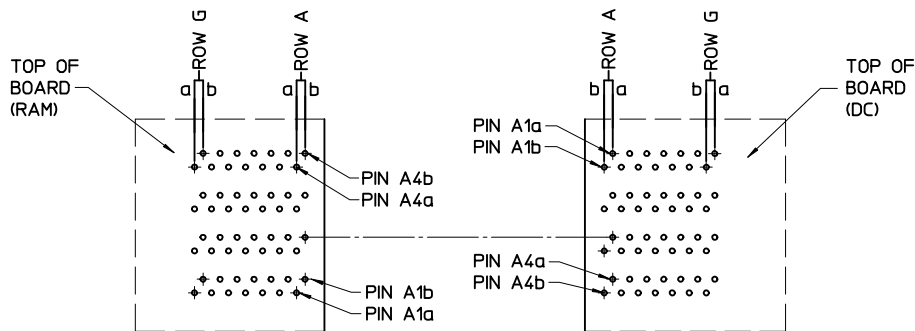
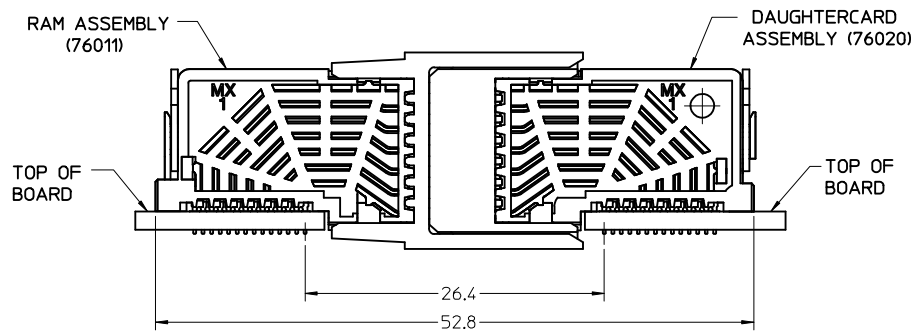


76011-6*3* or 76011-7*3* GUIDE LEFT, END WALL, INVERTED

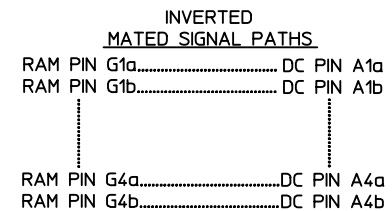
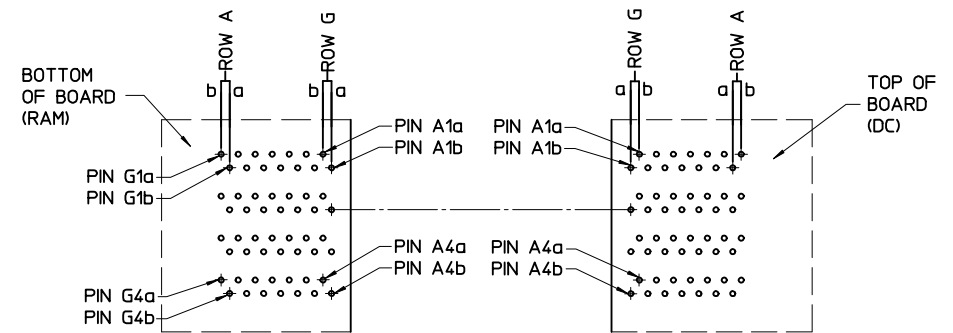
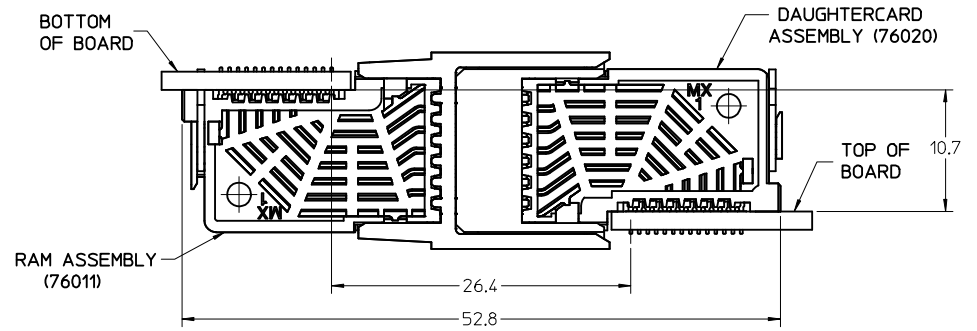
PART NUMBER	# OF COLUMNS	DIM "A" MAX	DIM "B"
76011 - *4**	4	22.06	11.10
76011 - *6**	6	29.60	18.50
76011 - *1**	10	44.40	33.30

SEE SHEET 1 EC NO: UCP2013-4120 DRW: BARKER 2012/11/12 CHK: MWOLFE 2013/03/20 APPR: SMILLER 2013/08/05	QUALITY SYMBOLS	GENERAL TOLERANCES (UNLESS SPECIFIED)	DIMENSION STYLE MM ONLY	SCALE 3:1	DESIGN UNITS METRIC	THIRD ANGLE PROJECTION
	▽=0	mm INCH	DRAWN BY DATE ELO 2006/05/04	TITLE	I-TRAC 7-ROW RIGHT ANGLE MALE GUIDE LEFT ASSEMBLY molex SD-76011-002 SHEET NO. 2 OF 3	
	▽=0	4 PLACES ± --- ± ---	CHECKED BY DATE ELO 2007/02/02			
	▽=0	3 PLACES ± --- ± ---	APPROVED BY DATE CBIXLER 2007/02/05			
▽=0	2 PLACES ± 0.13 ± ---	MATERIAL NO.				
		1 PLACE ± 0.25 ± ---	SEE ABOVE	DOCUMENT NO.		
		0 PLACE ± ±	ANGULAR ± --- °	THIS DRAWING CONTAINS INFORMATION THAT IS PROPRIETARY TO MOLEX INCORPORATED AND SHOULD NOT BE USED WITHOUT WRITTEN PERMISSION		
			DRAFT WHERE APPLICABLE MUST REMAIN WITHIN DIMENSIONS			

COPLANAR APPLICATION



INVERTED APPLICATION



SEE SHEET 1 EC NO: UCP2013-4120 2012/11/12 DRWIN:BBARKER 2013/03/20 CHKD:MMOLFE 2013/08/05 APPR:SMILLER	QUALITY SYMBOLS ∇=0 ∇=0 ∇=0	GENERAL TOLERANCES (UNLESS SPECIFIED)		DIMENSION STYLE MM ONLY		SCALE 2:1	DESIGN UNITS METRIC	THIRD ANGLE PROJECTION			
		4 PLACES ± --- ± ---	3 PLACES ± --- ± ---	2 PLACES ± 0.13 ± ---	1 PLACE ± 0.25 ± ---	0 PLACE ± ±	DRAWN BY ELO DATE 2006/05/04	CHECKED BY ELO DATE 2007/02/02	TITLE I-TRAC 7-ROW RIGHT ANGLE MALE GUIDE LEFT ASSEMBLY		
		ANGULAR ± ---°					APPROVED BY CBI XLER DATE 2007/02/05	MATERIAL NO. SEE SHEET 2			
		DRAFT WHERE APPLICABLE MUST REMAIN WITHIN DIMENSIONS					DOCUMENT NO. SD-76011-002			SHEET NO. 3 OF 3	

THIS DRAWING CONTAINS INFORMATION THAT IS PROPRIETARY TO MOLEX INCORPORATED AND SHOULD NOT BE USED WITHOUT WRITTEN PERMISSION