

SIGN	DATE	DESCRIPTION	APPROVER
—			

THIS IS CAD DRAWING, DO NOT REVISE MANUALLY!!!

Material:

- Terminal housing: Thermoplastic (UL 94V-0)
- Clamp: Brass, Ni plated
- Wire guard solder pin: Brass, Tin plated
- Terminal screw: Steel Zinc plating" - "slot type

Electrical

- Voltage rating: 300VAC
- Current rating: 20A
- Solid wire(AWG): 12-30
- Stranded wire(AWG): 12-30
- Torque(Lb-In): 3.5
- Screw: M3
- Wire strip length: 6-7mm
- Withstanding Voltage: 1.6KV
- Operating temperature: -40°C to +115°C
- Soldering temperature: 250°C±10°C/5 Sec

RoHS Compliant

PART NUMBER:

OSTVJXX6153

- No. of Poles
- 02 2 Poles
 - 03 3 Poles
 -
 - 16 16 Poles

- COLOR
- 0: Black
 - 5: Green (Standard)
 - 6: Blue
 - 8: Grey

THESE DRAWINGS AND SPECIFICATIONS ARE THE PROPERTY OF ON-SHORE TECHNOLOGY, INC. AND SHALL NOT BE REPRODUCED, COPIED OR USED IN ANY MANNER WITHOUT THE PRIOR WRITTEN CONSENT OF ON-SHORE TECHNOLOGY, INC.

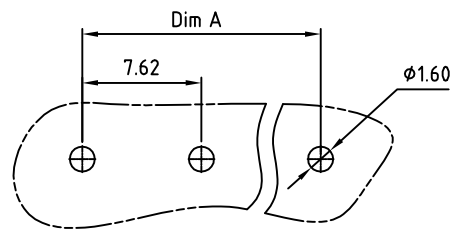
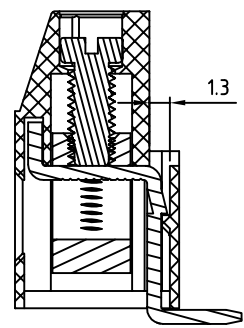
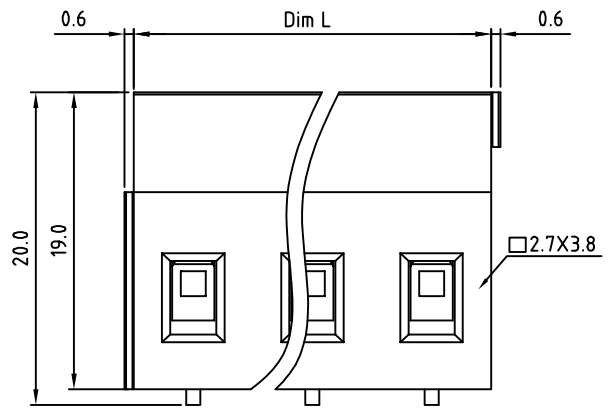
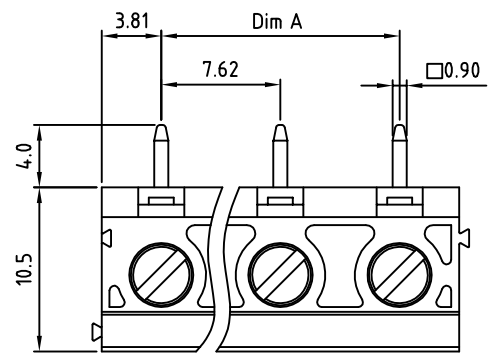


TITLE		OSTVJ-7.62 SERIES (4P-16P) 90° wire inlet Solid block			
PART NO.	OSTVJXX6153	DWG NO.	OSTVJXX6153.DWG		
APPROVED	CHECKED	DESIGNED	DRAWN	CUST NO.	Tolerance
		Kind 2008.12.15	Kind 2008.12.15		X. ±0.50
					UNIT: mm SCALE: NONE SHEET: 01/01 REV.: B

DIMENSION

Dim L	N×7.62	Poles	Tolerance
Dim A	(N-1)×7.62	4p-8p	±0.15
		9p-12p	±0.25
		13p-16p	±0.35

N=Number of poles



P.C.B LAYOUT