



Electrically held lighting contactor, Contactor amp rating 20A, 0 N.C. / 3 N.O.
Poles, 480VAC 60HZ coil, Combination type, 20A circuit breaker, Enclosure NEMA type 1, Indoor general purpose use

| | |
|---|---|
| product brand name | Class LE |
| design of the product | Electrically held lighting contactor with circuit breaker |
| special product feature | Compact design; Finger safe control terminals |
| General technical data | |
| weight [lb] | 27 lb |
| Height x Width x Depth [in] | 24 × 11 × 8 in |
| touch protection against electrical shock | NA for enclosed products |
| installation altitude [ft] at height above sea level maximum | 6560 ft |
| ambient temperature [°F] | |
| • during storage | -67 ... +176 °F |
| • during operation | 32 ... 104 °F |
| ambient temperature | |
| • during storage | -55 ... +80 °C |
| • during operation | 0 ... 40 °C |
| country of origin | USA |
| Contactors | |
| size of contactor | 20 Amp |
| number of NO contacts for main contacts | 3 |
| number of NC contacts for main contacts | 0 |
| operating voltage for main current circuit at AC at 60 Hz maximum | 600 V |
| mechanical service life (operating cycles) of the main contacts typical | 30000000 |
| contact rating of the main contacts of lighting contactor | |
| • with electronic ballast [LED driver] (1 pole per 1 phase) rated value | 8A @120V / 3A @277V 1p 1ph |
| • at tungsten (1 pole per 1 phase) rated value | 20A @277V 1p 1ph |
| • at tungsten (2 poles per 1 phase) rated value | 20A @480V 2p 1ph |
| • at tungsten (3 poles per 3 phases) rated value | 20A @480V 3p 3ph |
| • at ballast (1 pole per 1 phase) rated value | 20A @347V 1p 1ph |
| • at ballast (2 poles per 1 phase) rated value | 20A @600V 2p 1ph |
| • at ballast (3 poles per 3 phases) rated value | 20A @600V 3p 3ph |
| • at resistive load (1 pole per 1 phase) rated value | 20A @600V 1p 1ph |
| • at resistive load (2 poles per 1 phase) rated value | 20A @600V 2p 1ph |
| • at resistive load (3 poles per 3 phases) rated value | 20A @600V 3p 3ph |
| Auxiliary contact | |
| number of NC contacts at contactor for auxiliary contacts | 0 |
| number of NO contacts at contactor for auxiliary contacts | 1 |
| number of total auxiliary contacts maximum | 4 |
| contact rating of auxiliary contacts of contactor according to UL | A600 / Q600 |
| Coil | |

| | |
|--|--|
| type of voltage of the control supply voltage | AC |
| control supply voltage | |
| • at AC at 60 Hz rated value | 480 V |
| apparent pick-up power of magnet coil at AC | 31.7 VA |
| apparent holding power of magnet coil at AC | 4.8 VA |
| operating range factor control supply voltage rated value of magnet coil | 0.85 ... 1.1 |
| Enclosure | |
| degree of protection NEMA rating of the enclosure | NEMA 1 enclosure |
| design of the housing | indoors, usable on a general basis |
| Circuit Breaker | |
| type of the motor protection | Circuit breaker with thermal and fixed magnetic trip |
| operational current of motor circuit breaker rated value | 20 A |
| Mounting/wiring | |
| mounting position | Vertical |
| fastening method | Surface mounting and installation |
| type of electrical connection for supply voltage line-side | Box lug |
| type of connectable conductor cross-sections at line-side for AWG cables single or multi-stranded | 1x (14 ... 10 AWG) or 1x (12 ... 10 AWG) |
| temperature of the conductor for supply maximum permissible | 75 °C |
| material of the conductor for supply | AL or CU |
| type of electrical connection for load-side outgoing feeder | Screw-type terminals |
| tightening torque [lbf-in] for load-side outgoing feeder | 7 ... 12 lbf-in |
| type of connectable conductor cross-sections for AWG cables for load-side outgoing feeder single or multi-stranded | 2x (20 ... 16 AWG), 2x (18 ... 14 AWG), 2x 12 AWG |
| temperature of the conductor for load-side outgoing feeder maximum permissible | 75 °C |
| material of the conductor for load-side outgoing feeder | CU |
| type of electrical connection of magnet coil | Screw-type terminals |
| tightening torque [lbf-in] at magnet coil | 7 ... 10 lbf-in |
| type of connectable conductor cross-sections of magnet coil for AWG cables single or multi-stranded | 2x (20 ... 16 AWG), 2x (18 ... 14 AWG) |
| temperature of the conductor at magnet coil maximum permissible | 75 °C |
| material of the conductor at magnet coil | CU |
| type of electrical connection at contactor for auxiliary contacts | Screw-type terminals |
| tightening torque [lbf-in] at contactor for auxiliary contacts | 7 ... 12 lbf-in |
| type of connectable conductor cross-sections at contactor for AWG cables for auxiliary contacts single or multi-stranded | 2x (20 ... 16 AWG), 2x (18 ... 14 AWG) |
| temperature of the conductor at contactor for auxiliary contacts maximum permissible | 75 °C |
| material of the conductor at contactor for auxiliary contacts | CU |
| Short-circuit current rating | |
| design of the short-circuit trip | Thermal magnetic circuit breaker |
| maximum short-circuit current breaking capacity (Icu) | |
| • at 240 V | 5 kA |
| • at 480 V | 5 kA |
| • at 600 V | 5 kA |
| certificate of suitability | NEMA ICS 2; UL 508 |
| Further information | |

Industrial Controls - Product Overview (Catalogs, Brochures,...)

www.usa.siemens.com/iccatalog

Industry Mall (Online ordering system)

<https://mall.industry.siemens.com/mall/en/us/Catalog/product?mlfb=US2:LEBT1B003480B>

Service&Support (Manuals, Certificates, Characteristics, FAQs,...)

<https://support.industry.siemens.com/cs/US/en/ps/US2:LEBT1B003480B>

Image database (product images, 2D dimension drawings, 3D models, device circuit diagrams, EPLAN macros, ...)

http://www.automation.siemens.com/bilddb/cax_de.aspx?mlfb=US2:LEBT1B003480B&lang=en

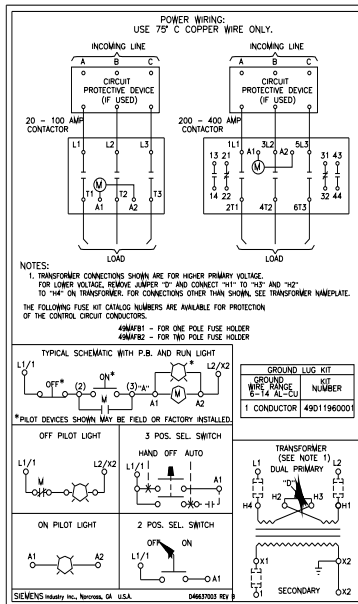
Certificates/approvals

<https://support.industry.siemens.com/cs/US/en/ps/US2:LEBT1B003480B/certificate>



CONDUITS TYP. TOP & BOTTOM

| LETTER | CONDUIT SIZE |
|--------|-----------------------|
| A | ø12.7 & ø19 CONDUIT |
| B | ø25.4 & ø31.8 CONDUIT |



D46637003

last modified:

4/5/2023

