

## Mounting flange - VC-AF - 1852862

Please be informed that the data shown in this PDF Document is generated from our Online Catalog. Please find the complete data in the user's documentation. Our General Terms of Use for Downloads are valid (<http://download.phoenixcontact.com>)



Panel mounting flange for screw locking, for mounting contact insert modules, for a panel thickness of 1 - 5 mm

The illustration shows the mounting flange with panel mounting frame VC-AR1/2M

### Why buy this product

- Compact design
- Universal connection
- Proven COMBICON technology
- Can be keyed to prevent incorrect connection



### Key commercial data

Packing unit	1
Minimum order quantity	50
Catalog page	Page 455 (PC-2011)
GTIN	 4 017918 127183
Custom tariff number	85369010
Country of origin	POLAND

### Technical data

#### General data

Note	2 for every connector
Ambient temperature (operation)	-40 °C ... 125 °C
Ambient temperature (assembly)	-40 °C ... 70 °C

#### Material data

Inflammability class according to UL 94	V0
-----------------------------------------	----

# Mounting flange - VC-AF - 1852862

## Classifications

### eclass

eCl@ss 4.0	27140816
eCl@ss 4.1	27140816
eCl@ss 5.0	27371205
eCl@ss 5.1	27371205
eCl@ss 6.0	27371205
eCl@ss 7.0	27371205

### etim

ETIM 2.0	EC000437
ETIM 3.0	EC000437
ETIM 4.0	EC000437
ETIM 5.0	EC002310

### unspsc

UNSPSC 6.01	31261501
UNSPSC 7.0901	31261501
UNSPSC 11	31261501
UNSPSC 12.01	31261501
UNSPSC 13.2	31261501

## Approvals

### Approvals

---

Approvals

GOST

---

Ex Approvals

---

Approvals submitted

---

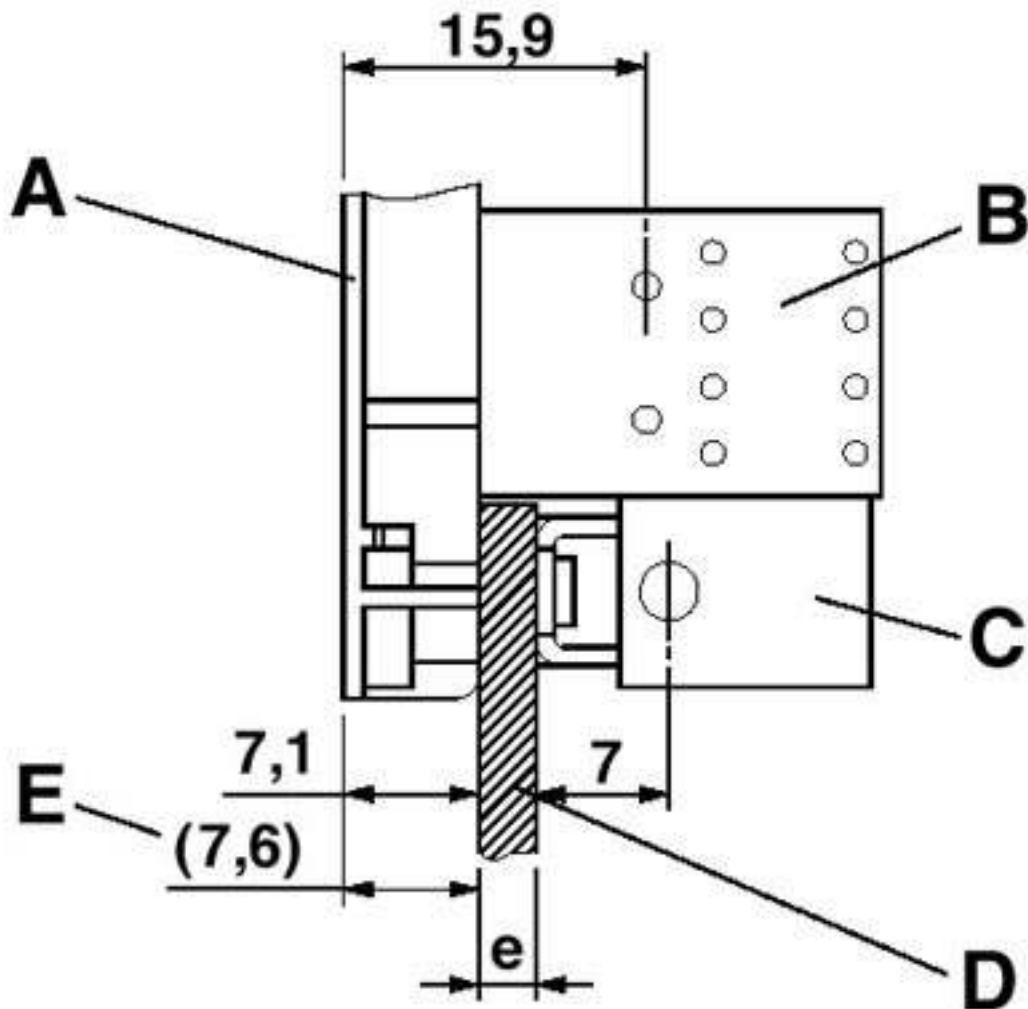
### Approval details

GOST 
------------------------------------------------------------------------------------------

## Drawings

## Mounting flange - VC-AF - 1852862

Dimensioned drawing



Installation, panel mounting flange

A = Panel mounting base

B = Solder-in contact insert

C = Mounting flange

D = Mounting panel  $e = 1...5$  mm

E = Dimensions with EMC shield adapter mounted

## Mounting flange - VC-AF - 1852862

Dimensioned drawing

