

**NOTES**

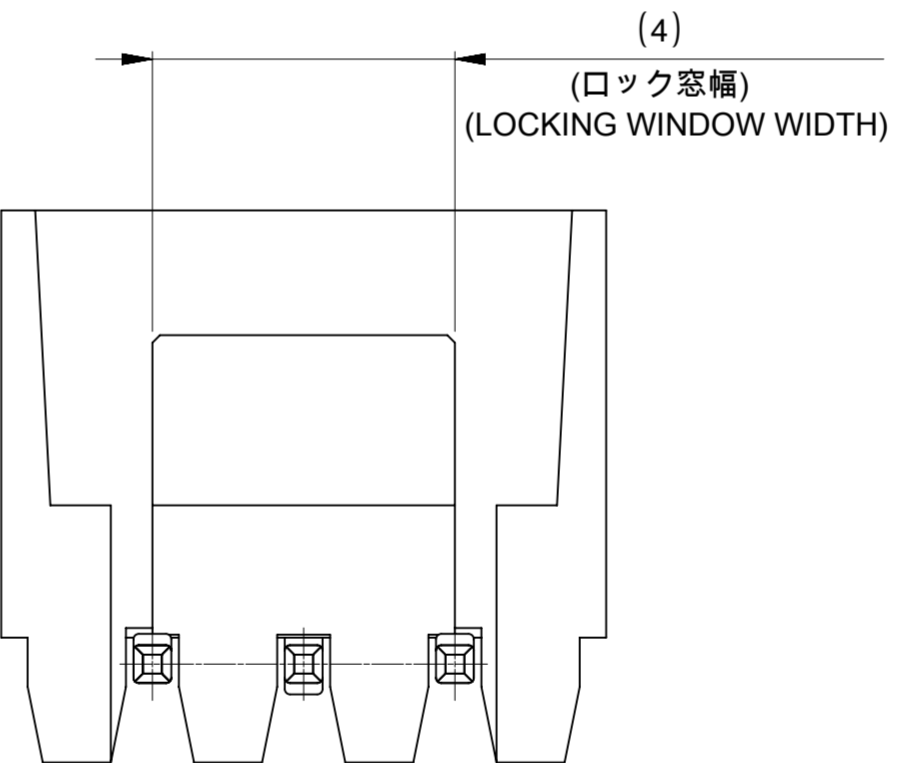
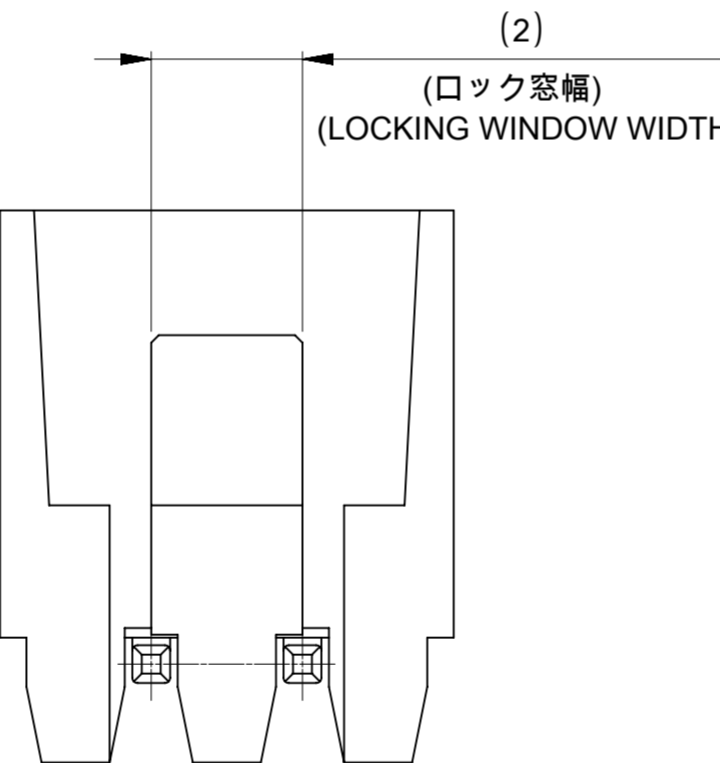
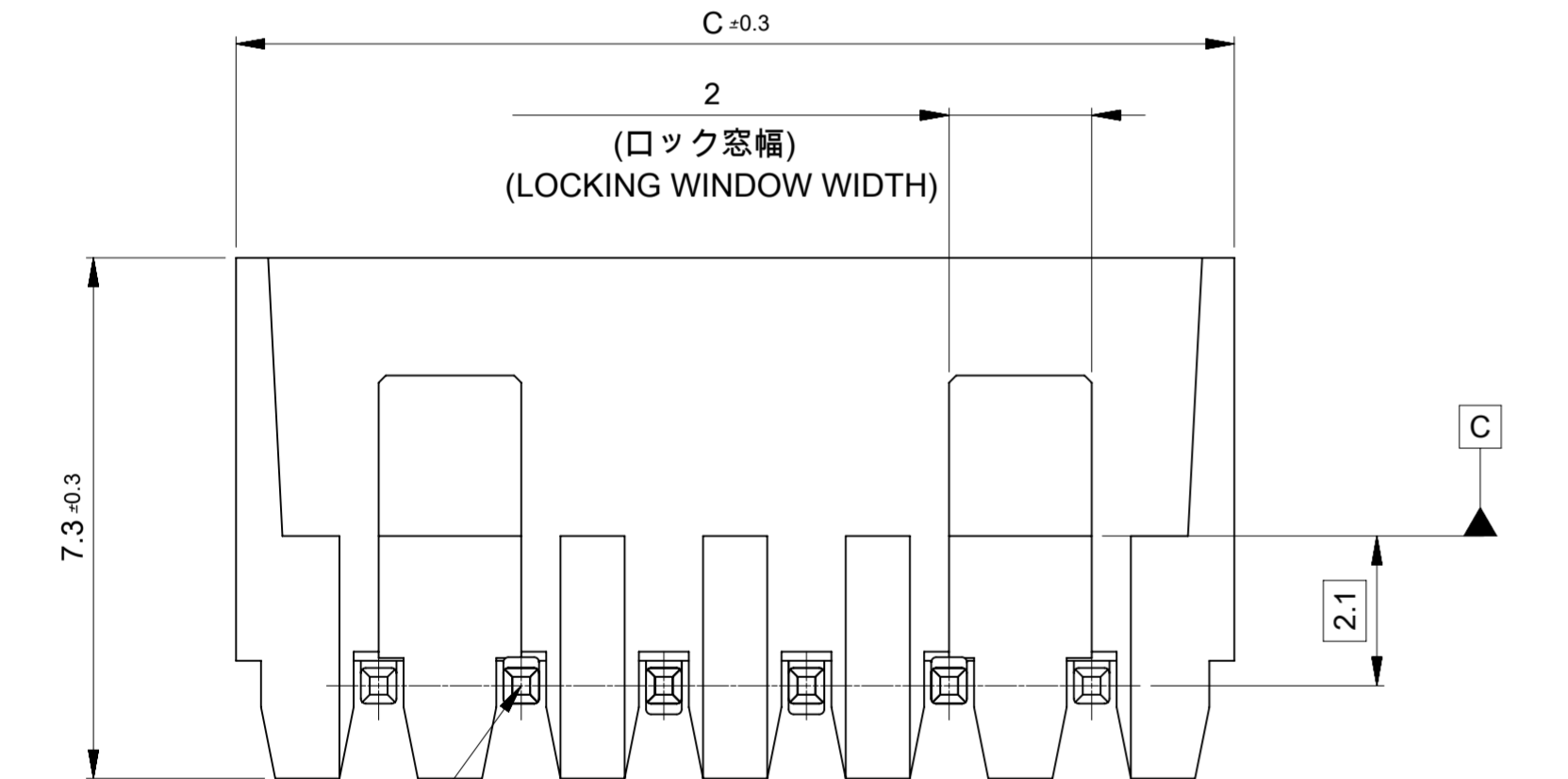
① 材料及仕上げ (めっき仕様) : TABLE 1参照  
 MATERIAL AND FINISHES: SEE TABLE 1

② 適用製品及び各種仕様書はSHEET 2をご参考ください  
 PLEASE REFER TO SHEET 2 FOR APPLICABLE PRODUCTS AND VARIOUS SPECIFICATIONS.

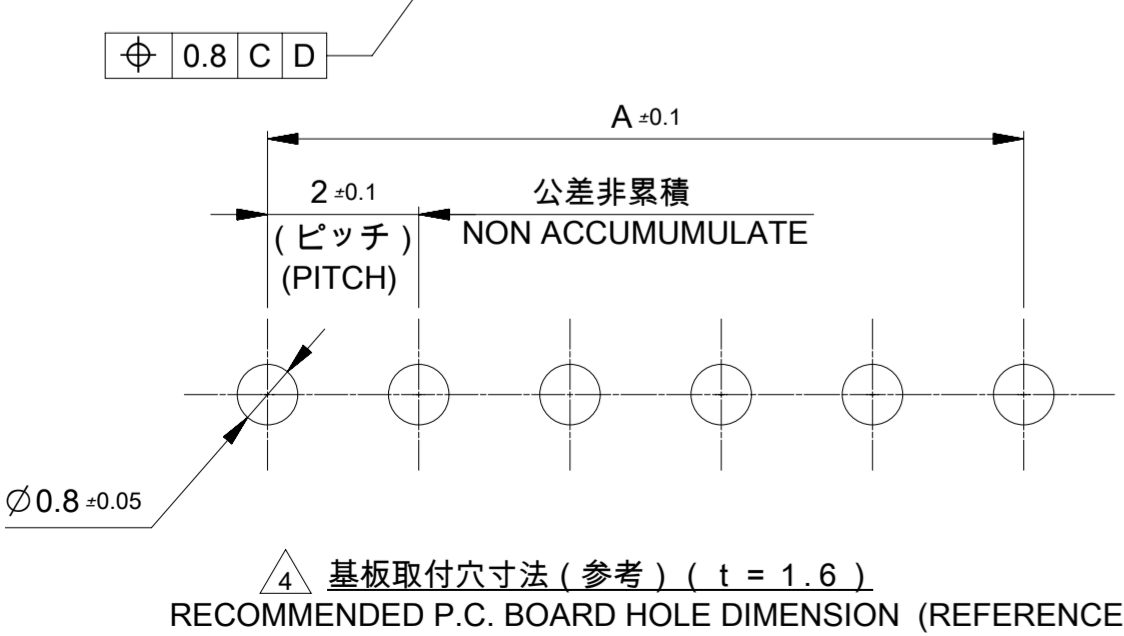
③ キルクは下記表の位置及び形状に付加のこと。2極はキルク無し。  
 KINK TO BE APPLIED AS FOLLOWS, 2 CIRCUIT HAS NO KINK.

| 極数 CKT               | 回路番号 CIRCUIT NO |     |     |     |     |     |     |   |
|----------------------|-----------------|-----|-----|-----|-----|-----|-----|---|
|                      | 1               | 2   | 3   | 4   | 5   | N-2 | N-1 | N |
| 6極以上 MORE THAN 6 CKT | -               | (A) | (B) | -   | -   | (B) | (A) | - |
| 5極 5CKT              | (A)             | (B) | -   | (B) | (A) |     |     |   |
| 4極 4CKT              | (A)             | (B) | (B) | (A) |     |     |     |   |
| 3極 3CKT              | (A)             | (B) | (A) |     |     |     |     |   |

④ PART-PCB間の実装には極性がありません。  
 極数番号は記載していません。  
 PART-TO-PCB MOUNTING IS NOT POLARIZED:  
 NO CIRCUIT NUMBERING IS REQUIRED.



|    |      |    |                  |        |
|----|------|----|------------------|--------|
| 32 | 31.1 | 28 | 532541570        | 15     |
| 30 | 29.1 | 26 | 532541470        | 14     |
| 28 | 27.1 | 24 | 532541370        | 13     |
| 26 | 25.1 | 22 | 532541270        | 12     |
| 24 | 23.1 | 20 | 532541170        | 11     |
| 22 | 21.1 | 18 | 532541070        | 10     |
| 20 | 19.1 | 16 | 532540970        | 9      |
| 18 | 17.1 | 14 | 532540870        | 8      |
| 16 | 15.1 | 12 | 532540770        | 7      |
| 14 | 13.1 | 10 | 532540670        | 6      |
| 12 | 11.1 | 8  | 532540570        | 5      |
| 10 | 9.1  | 6  | 532540470        | 4      |
| 8  | 7.1  | 4  | 532540370        | 3      |
| 6  | 5.1  | 2  | 532540270        | 2      |
| C  | B    | A  | トレー TRAY         | 極数 CKT |
|    |      |    | 材料番号 MATERIAL NO |        |



① TABLE 1

| NO | 部品 PART        | 材質 MATERIAL   |
|----|----------------|---|
| ①  | ハウジング HOUSING  | ポリアミド(PA)、UL94V-0、色: ナチュラル (ベージュ)<br>POLYAMIDE(PA), UL94V-0, COLOR: NATURAL (BEIGE)                       |
| ②  | ターミナル TERMINAL | 黄銅 BRASS  |
|    |                | 下地めっき UNDER PLATING: ニッケルめっき : 0.5 micro-meters MIN<br>NICKEL PLATING: 0.5 micro-meters MIN               |
|    | めっき PLATING    | 錫めっき : 1.0 micro-meter MIN リフロー処理 (前めっき)<br>MATTE TIN: 1.0 micro-meter MIN REFLOW TREATMENT (PRE-PLATING) |

THIS DRAWING CONTAINS INFORMATION THAT IS PROPRIETARY TO MOLEX ELECTRONIC TECHNOLOGIES, LLC AND SHOULD NOT BE USED WITHOUT WRITTEN PERMISSION

DIMENSION UNITS: mm SCALE: NTS

GENERAL TOLERANCES (UNLESS SPECIFIED): ANGULAR TOL ± 3.0°

CURRENT REV DESC: REDRAWN AND REVISED

EC NO: 636761  
 DRWN: HHUSSIN 2019/10/21  
 CHK'D: SAKIYAMA 2020/04/30  
 APPR: KOMURAKAMI 2020/05/01

4 PLACES ± 0.2  
 3 PLACES ± 0.2  
 2 PLACES ± 0.2  
 1 PLACE ± 0.2  
 0 PLACES ± 0.2

INITIAL REVISION:  
 DRWN: HHUSSIN 2019/10/21  
 APPR: KOMURAKAMI 2020/05/01

DRAFT WHERE APPLICABLE MUST REMAIN WITHIN DIMENSIONS

THIRD ANGLE PROJECTION

DRAWING: A2-SIZE

SERIES: 53254

PRODUCT CUSTOMER DRAWING

DOCUMENT NUMBER: 532540000-SD

DOC TYPE: PSD

DOC PART: 000

REVISION: A

MATERIAL NUMBER: GENERAL

CUSTOMER: GENERAL

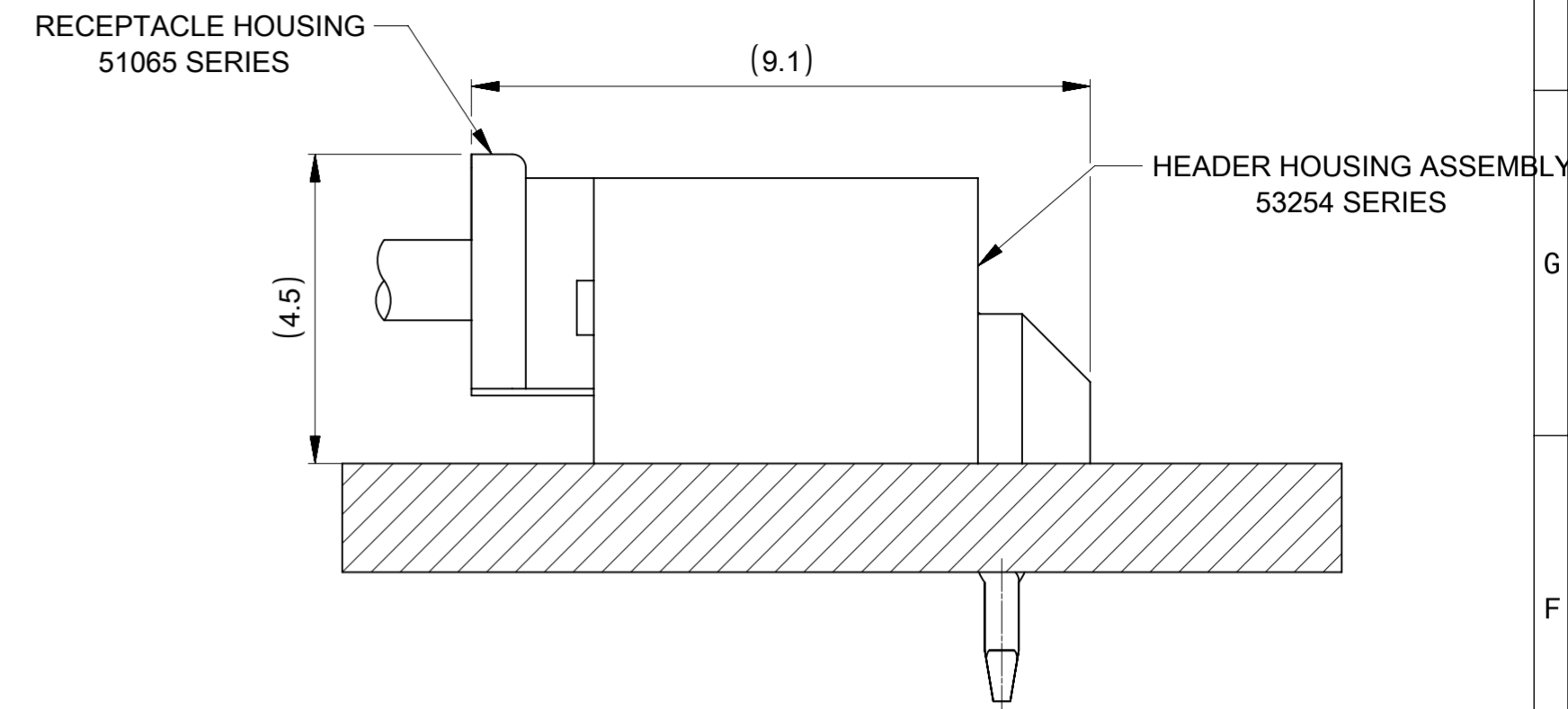
SHEET NUMBER: 1 OF 2

△ 適用製品及び各種仕様書  
 APPLICABLE PRODUCTS AND VARIOUS SPECIFICATIONS

|                                |             |                      |
|--------------------------------|-------------|----------------------|
| 梱包仕様書<br>PACKING SPECIFICATION | PART NUMBER | SPECIFICATION NUMBER |
|                                | 53254**70   | 532549200-SPK        |

|                                |                     |
|--------------------------------|---------------------|
| 適用ハウジング<br>APPLICABLE HOUSING  | SINGLE TYPE         |
| シリーズ番号 SERIES NO               | 51065               |
| 製品仕様書<br>PRODUCT SPECIFICATION | 510650000-PS/PS/000 |

|                             |             |              |                 |
|-----------------------------|-------------|--------------|-----------------|
| 適用端子<br>APPLICABLE TERMINAL | PART NUMBER | PLATING TYPE | WIRE SIZE (AWG) |
|                             | 502128*00   | TIN          | #24-30          |
|                             | 503728*00   |              | #22-26          |



51065シリーズ/53254シリーズ 嵌合状態図 参考  
 51065 SERIES/ 53254 SERIES MATED DRAWING (REF)

|   |        |                                       |  |            |  |   |  |              |  |
|---|--------|---------------------------------------|--|------------|--|---|--|--------------|--|
| THIS DRAWING CONTAINS INFORMATION THAT IS PROPRIETARY TO MOLEX ELECTRONIC TECHNOLOGIES, LLC AND SHOULD NOT BE USED WITHOUT WRITTEN PERMISSION |        |                                       |  |            |  |   |  |              |  |
| DIMENSION UNITS   | SCALE  | CURRENT REV DESC: REDRAWN AND REVISED |  |            |  | <b>molex</b>                                  |  |              |  |
| mm  | NTS    |                                       |  |            |  |   |  |              |  |
| GENERAL TOLERANCES (UNLESS SPECIFIED)   |        |                                       |  |            |  | MICRO-LATCH 2.0 RA<br>RIGHT-ANGLE HEADER ASSY |  |              |  |
| ANGULAR TOL   | ± 3.0° | EC NO: 636761                         |  |            |  | PRODUCT CUSTOMER DRAWING                      |  |              |  |
| 4 PLACES  | ± 0.2  | DRWN: HHUSSIN                         |  | 2019/10/21 |  | DOCUMENT NUMBER<br><b>532540000-SD</b>        |  |              |  |
| 3 PLACES  | ± 0.2  | CHK'D: SAKIYAMA                       |  | 2020/04/30 |  |   |  |              |  |
| 2 PLACES  | ± 0.2  | APPR: KOMURAKAMI                      |  | 2020/05/01 |  | DOC TYPE                                      |  | DOC PART     |  |
| 1 PLACE   | ± 0.2  | INITIAL REVISION:                     |  |            |  | PSD   |  | 000          |  |
| 0 PLACES  | ± 0.2  | DRWN: HHUSSIN                         |  | 2019/10/21 |  | REVISION                                      |  | A            |  |
| DRAFT WHERE APPLICABLE MUST REMAIN WITHIN DIMENSIONS  |        | THIRD ANGLE PROJECTION                |  | DRAWING    |  | SERIES  |  | SHEET NUMBER |  |
|   |        |                                       |  | A2-SIZE    |  | 53254   |  | 2 OF 2       |  |