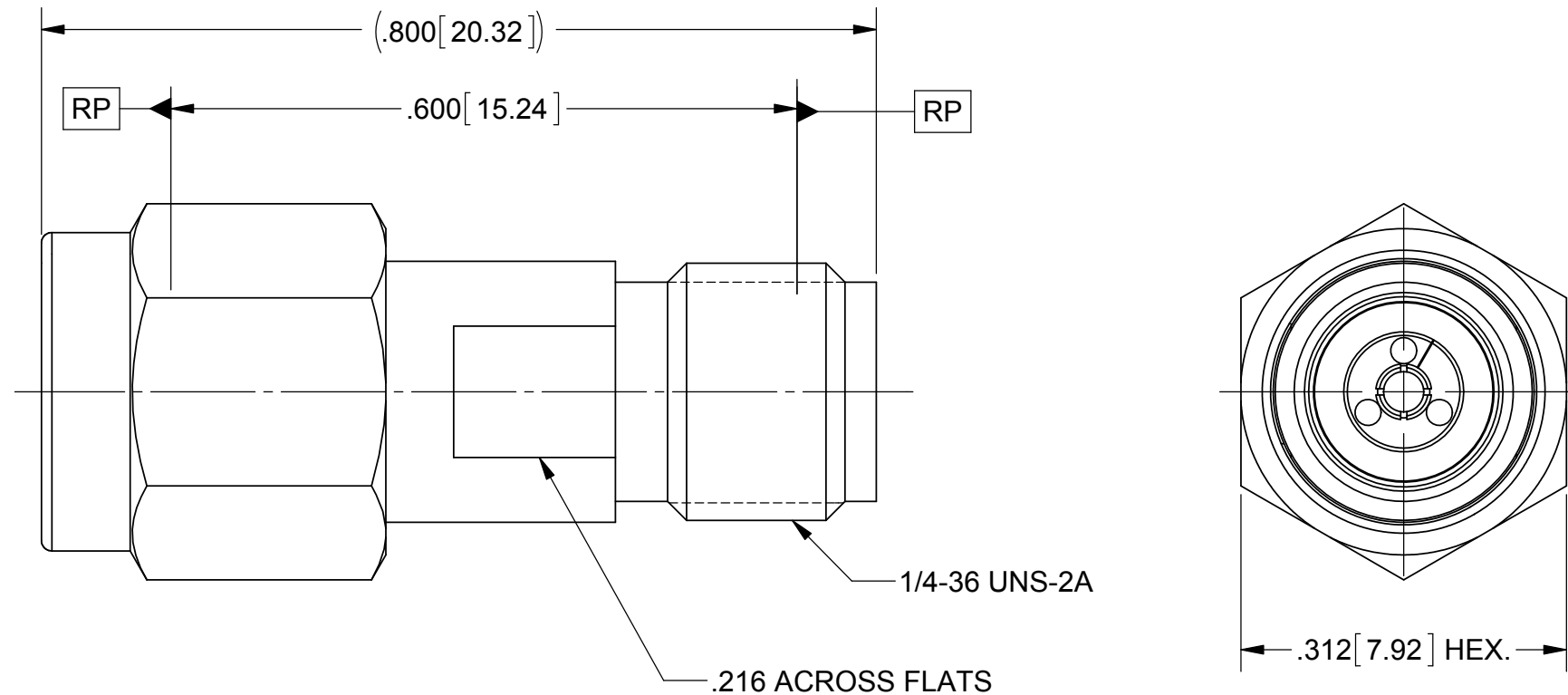


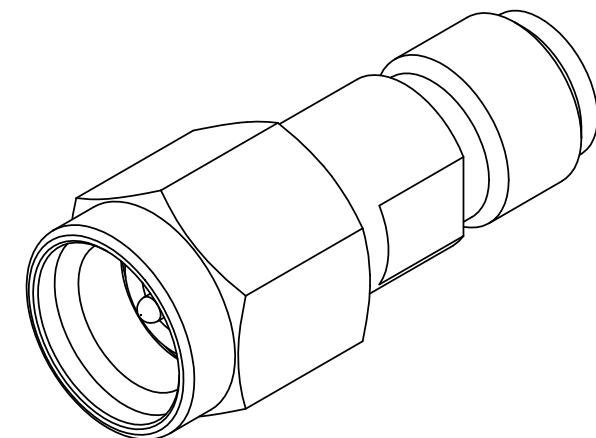
# PRODUCT DATA DRAWING

REVISION HISTORY			
REV	DESCRIPTION	DATE	APPROVED
B	REV. DCN 40219	12/04/13	STW



**MATERIAL:**  
**BODY, INSERT & COUPLING NUT:** STAINLESS STEEL PER AMS-5640, ALLOY UNS S30300, TYPE 1  
**LOCK RING & CONTACT:** BERYLLIUM COPPER PER ASTM B196, ALLOY No. UNS C17300, TD04  
**BEAD:** ULTEM 1000  
**GASKET:** SILICONE RUBBER PER A-A-59588, CLASS 2B, GRADE 50/60  
**FINISH:**  
**BODY, INSERT & COUPLING NUT:** PASSIVATED PER AMS-2700.  
**CONTACT:** GOLD PER ASTM B 488, TYPE I, CODE C, CLASS .76, OVER NICKEL PER AMS-QQ-N-290, CLASS 1, .00005" MIN.

**PERFORMANCE:**  
**IMPEDANCE:** 50 OHMS  
**FREQ. RANGE:** DC TO 40.0 GHz  
**VSWR:** 1.25:1 DC TO 40.0 GHz



MATERIAL: SEE NOTES	DIMENSIONS ARE IN INCHES TOLERANCES: FRACTIONAL: ±1/64 ANGULAR: X° ±1'0" X"X' ±15'	UNLESS OTHERWISE SPECIFIED 1) ALL DIMENSIONS ARE IN INCHES (MILLIMETERS) 2) ALL DIMENSIONS ARE AFTER PLATING. 3) BREAK CORNERS & EDGES .005 R. MAX. 4) CHAM. 1ST & LAST THREADS. 5) SURFACE ROUGHNESS 63-MIL-STD-10. 6) DIA.'S ON COMMON CENTERS TO BE CONCENTRIC WITHIN .005 T.I.R. 7) REMOVE ALL BURRS	<b>SV Microwave, Inc.</b> 2400 Centrepark West Drive, Suite 100 West Palm Beach, FL 33409
FINISH: SEE NOTES	DECIMAL: X ±.030 .XX ±.010 .XXX ±.005	INTERPRET DIMENSIONS AND TOLERANCES PER ASME Y14.5M - 1994	TITLE: <b>SVK PLUG TO SVK JACK ADAPTER</b>
SURFACE AREA: N/A	<b>PROPRIETARY</b> THE INFORMATION CONTAINED IN THIS DRAWING IS THE SOLE PROPERTY OF SV MICROWAVE, INC. ANY REPRODUCTION IN PART OR AS A WHOLE WITHOUT THE WRITTEN PERMISSION OF SV MICROWAVE, INC IS PROHIBITED.	THIRD ANGLE PROJECTION 	SIZE   CAGE CODE   DWG. NO. <b>B 95077   SF1597-6003</b>
		DRAWN: BRT 09/04/02 CHECKED: DWC 09/12/02 APPROVED: DWC 09/12/02	SCALE: 4:1   SHEET 1 OF 1