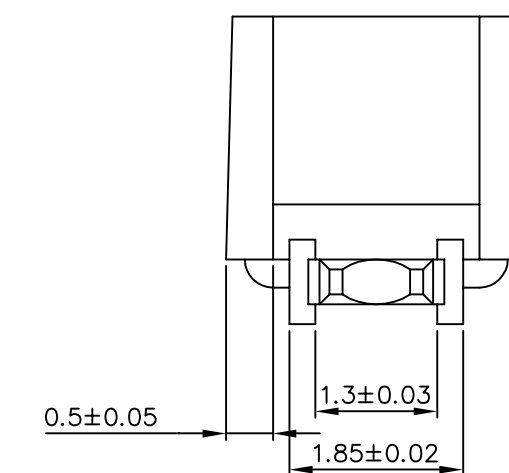
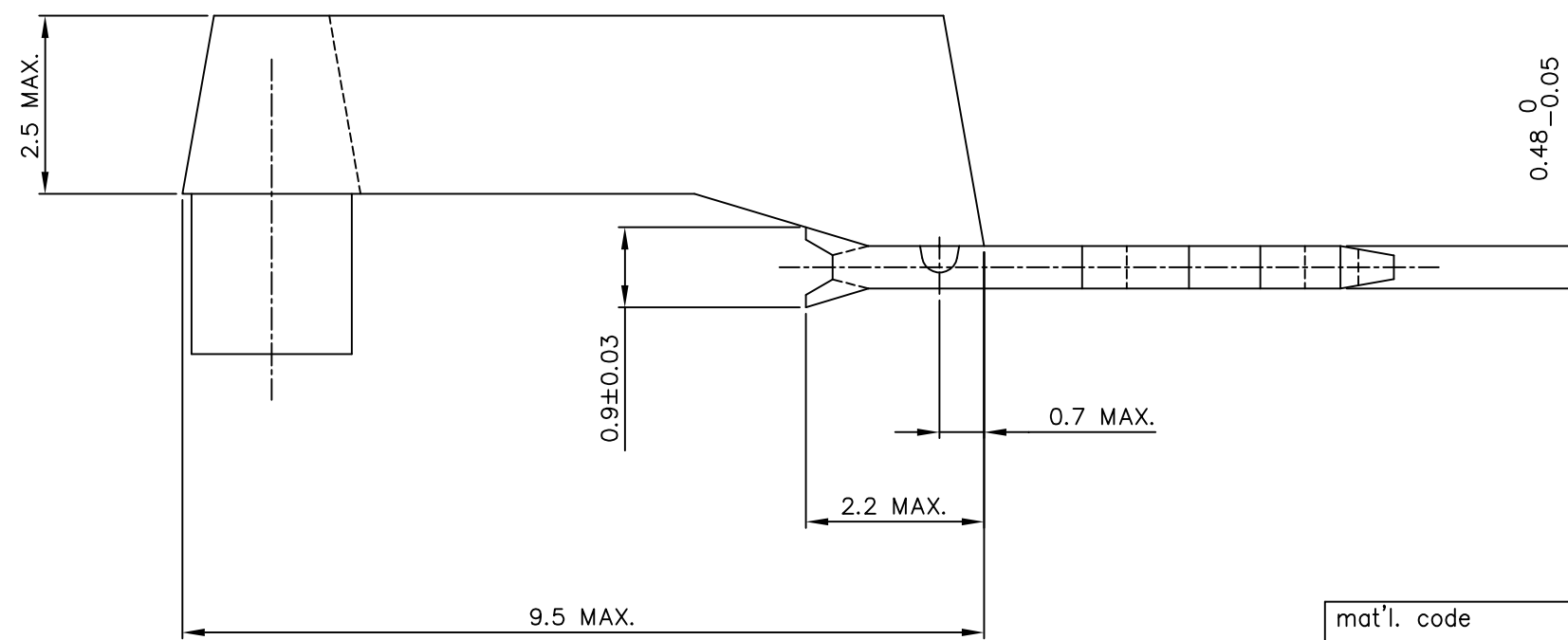
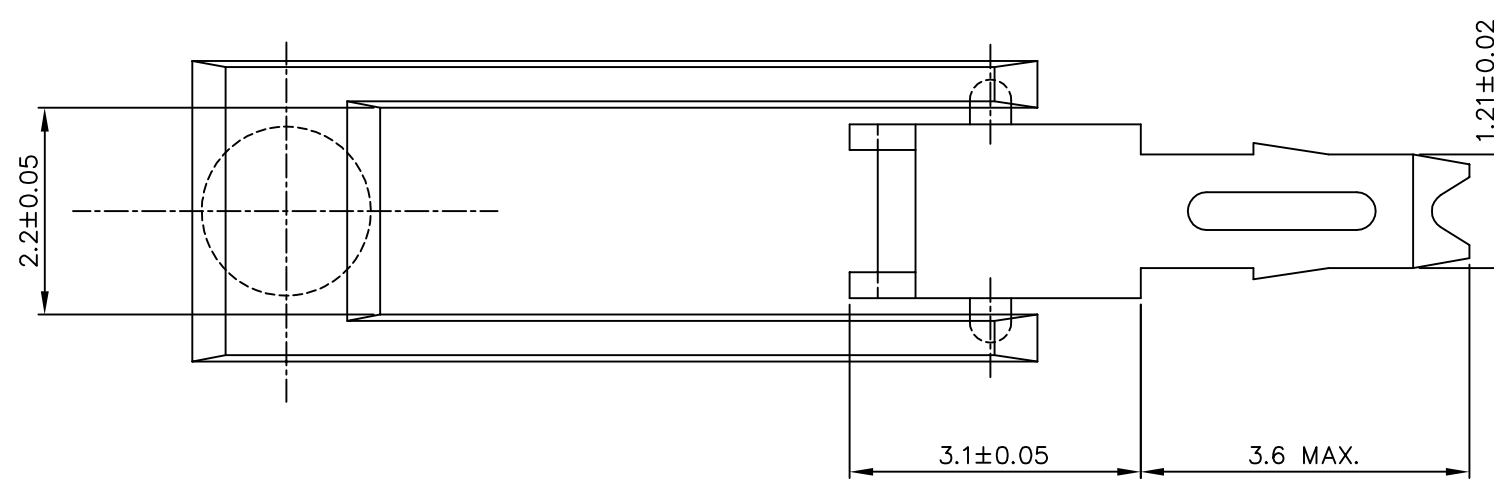


PRODUCT NUMBER  
65259-001

NOTES:-

1. THIS PRODUCT MEETS EUROPEAN UNION DIRECTIVES AND OTHER COUNTRY REGULATIONS AS DESCRIBED IN GS-22-008.
2. LEADFREE OR RoHS DIRECTIVE LABELLING TO BE PROVIDED AS PER GS-14-920.
3. " LF " SUFFIX TO PRODUCT NUMBER FOR RoHS COMPATIBLE/ LEADFREE VERSION.
4. PARTS WITH AND WITHOUT "LF " SUFFIX ARE FORM-FIT AND FUNCTIONALLY IDENTICAL. " LF " SUFFIX PROVIDED FOR PART NUMBER STANDARDISATION OF PART THAT MEETS RoHS REQUIREMENTS.
5. MATERIAL: MODIFIED POLYPHENYLENE OXIDE UNFILLED.  
COLOUR: GREY (RAL7035).  
FLAMMABILITY: PER UL-94-V1.
6. FOR APPLICATION DRW. SEE TA322.
7. B.P. DRAIN WIRE KEY IS SUITABLE FOR WIRE AWG 26/30.



mat'l. code		surface		tolerance		projection		product family	
SEE NOTE		ISO 1302		ISO 406 ISO 1101		mm		BACKPANEL	
ltr	ecn no	dr	date	tolerances unless otherwise specified		mm		title	
A	H10106	HVS	1991-03-15	angles	linear	mm		B.P.DRAIN WIRE KEY	
B	F00406	LLA	2000-05-22			scale -			
C	I05-0123	MINI	2005-07-27						
D	I05-0248	MINI	2005-11-22	dr	D.LEGRAND	2000-10-09	dwg no		sheet 1 of 1
E	I06-0068	MINI	2006-06-01	enr	J.F.NOTTEAU	2000-10-09	65259		size A3
				chr	RAKHEE GEORGE	2006-06-01	type		Product Customer Drawing
				appd	RAKHEE GEORGE	2006-06-01			
sheet index	revision sheet	E	1						

Copyright FCI  
FCIconnect.com