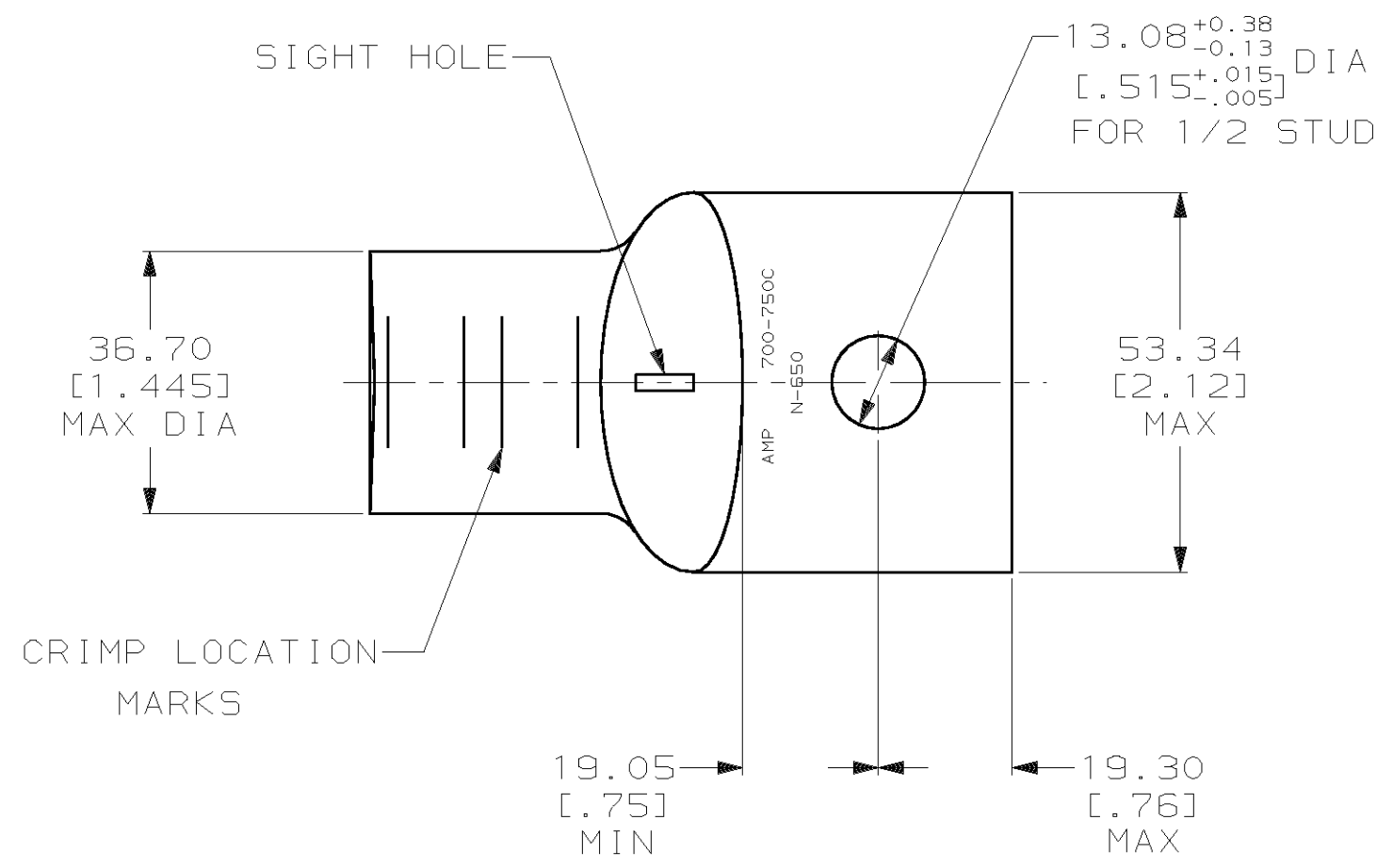
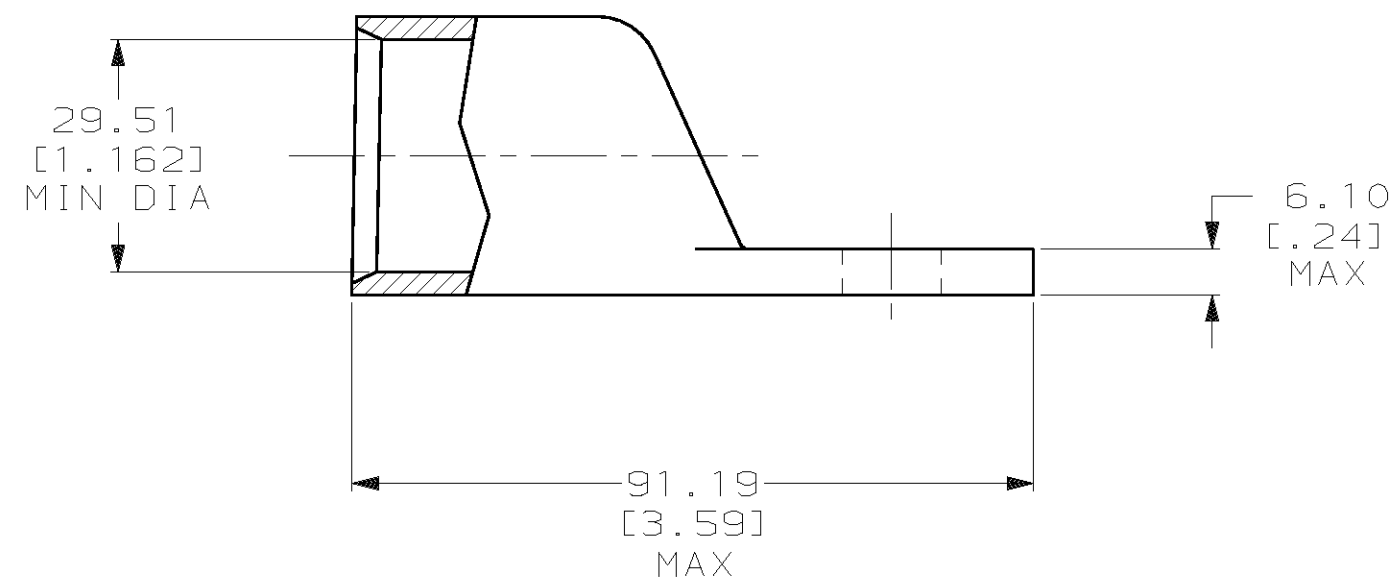


THIS DRAWING IS UNPUBLISHED. RELEASED FOR PUBLICATION, 19 .  
 © COPYRIGHT 19 BY AMP INCORPORATED. ALL INTERNATIONAL RIGHTS RESERVED.

LOC		DIST		REVISIONS				DATE	APPD
ZONE	LTR	DESCRIPTION	DATE	APPD					
G	86	P	F	H	REV PER 0G3A-0561-01	080CT02	JR/MS		



1 CIRCULAR MIL RANGE: 650-750 MCM  
 2 TIN PL 0.00381 [.000150] MIN THK PER MIL-T-10727



326305

B

A

326305  
 PART NO

DO NOT SCALE PRINT. UNLESS SPECIFIED DIMENSIONS IN mm [INCHES] TOLERANCES ON : 2 PLC DEC ± 0.51 [.020] 3 PLC DEC ± - ANGLES ± -		DR 02/28/90 DK SCHRUM		AMP INCORPORATED Harrisburg, Pa. 17105	
MATERIAL  ANNEALED COPPER ASTM B-75		CHK 25JAN95 MS FEHER			
FINISH  △		APPD 25JAN95 WJ VOCKROTH		NAME  TERMINAL, AMPPOWER™ WIRE SIZE: 700 MCM	
APPLICATION SPEC -		APPD 25JAN95 TL SHUTTER		DRAWING NO 326305	
WEIGHT .493 LB		PRODUCT SPEC 108-30200		SCALE 2:1	
		CAGE CODE 00779		SHEET 1 OF 1	

