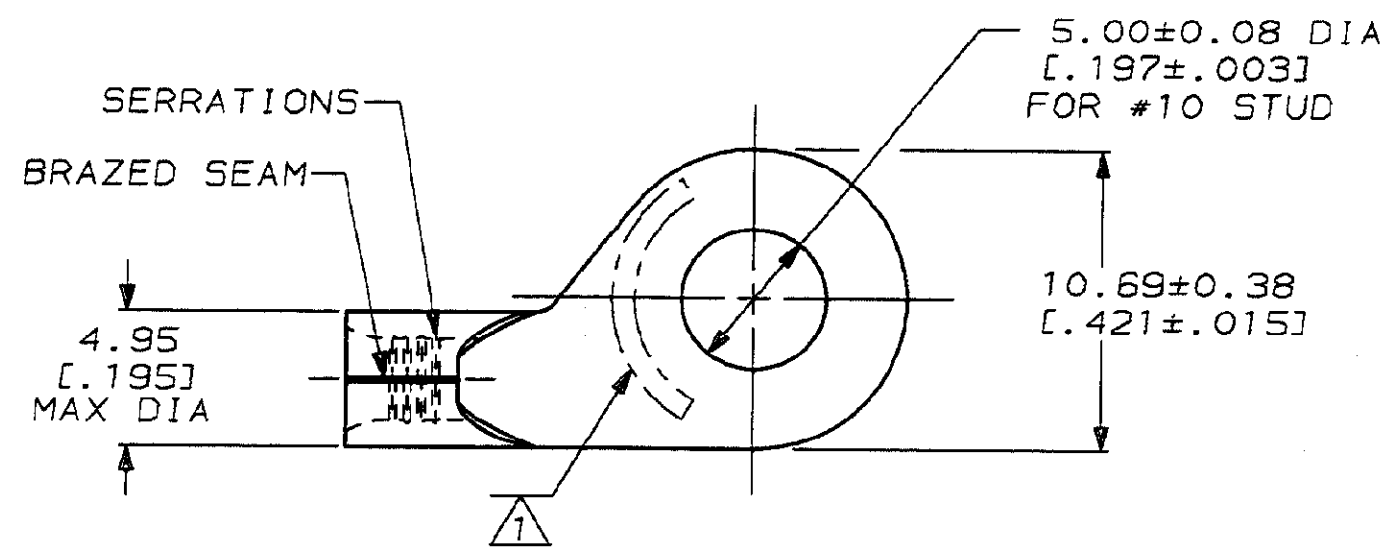


DRAWING MADE IN THIRD ANGLE PROJECTION
 THIS DRAWING IS UNPUBLISHED. RELEASED FOR PUBLICATION .19
 © COPYRIGHT 19 BY AMP INCORPORATED. ALL INTERNATIONAL RIGHTS RESERVED.

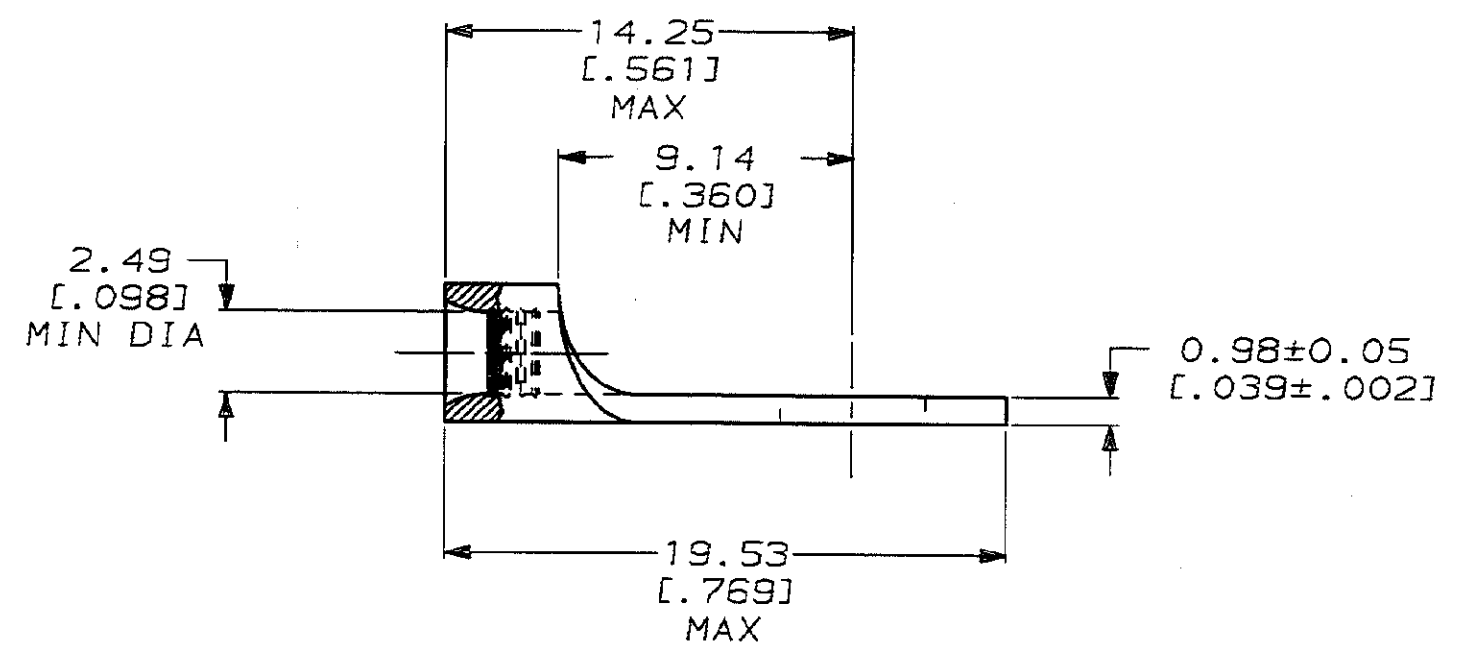
LOC	DIST	P	F	ZONE	LTR	DESCRIPTION	DATE	APPO
G	14					H REV & REDRAWN PER 0720-0104-93	7/1/93	OK DAP

METRIC
 DIMENSIONS LISTED IN mm [INCHES]



AMP WIRE RANGE	E13288 Listed
14-12 AWG SOLID OR STRANDED	14-12 AWG STRANDED
LR7189 Certified	MILITARY P/N AND CLASS
14-12 AWG SOLID OR STRANDED	NOT APPLICABLE

- ① STAMP AMP 14-12* APPROX AS SHOWN
- ② MEETS EQUIVALENT REQUIREMENTS OF ASTM B-152
- ③ MEETS EQUIVALENT REQUIREMENTS OF MIL-T-10727



34488

AMP INCORPORATED CUSTOMER SERVICE SYSTEMS		MAX RECOMMENDED OPERATING TEMPERATURE: 170°C MAX	DO NOT SCALE PRINT. UNLESS SPECIFIED DIMENSIONS IN mm [INCHES] TOLERANCES ON: 2 PLC DEC ± - 3 PLC DEC ± - ANGLES ± -	DR 6-17-93 TA BRINKMAN CHK 6-17-93 DA PATTERSON APPD 6-17-93 DE MILLER APPD 6-17-93 JL MECKLEY PRODUCT SPEC - APPLICATION SPEC - WEIGHT -	34488 PART NO	
FOR ADDITIONAL PRODUCT INFORMATION OR COPIES OF DRAWINGS AND TECHNICAL DOCUMENTS	PRODUCT INFORMATION CENTER 1-800-522-6752	VOLTAGE RATING: NOT APPLICABLE	MATERIAL COPPER PER AMP SPEC 100-2 ANNEALED ③	AMP Incorporated Harrisburg, PA 17105-3508	NAME TERMINAL, RING TONGUE, OFFSET, SOLISTRAND™, SPECIAL	
FOR APPLICATION TOOLING INFORMATION	TOOLING ASSISTANCE CENTER 1-800-722-1111	WIRE CROSS SECTIONAL AREA RANGE: 1.65-4.17mm² [3,260-8,230] CIR MILS SOLID OR STRANDED	FINISH TIN PLATE ③ 0.00254[0.000100] MIN THK PER AMP SPEC 112-16	SIZE C		CAGE CODE 00779
FOR ORDER ENTRY	1-800-526-5142	THIS DRAWING IS A CONTROLLED DOCUMENT FOR AMP INCORPORATED. IT IS SUBJECT TO CHANGE AND THE CONTROLLING ENGINEERING ORGANIZATION SHOULD BE CONTACTED FOR THE LATEST REVISION.		DRAWING NO C-34488		SHEET 1 OF 1