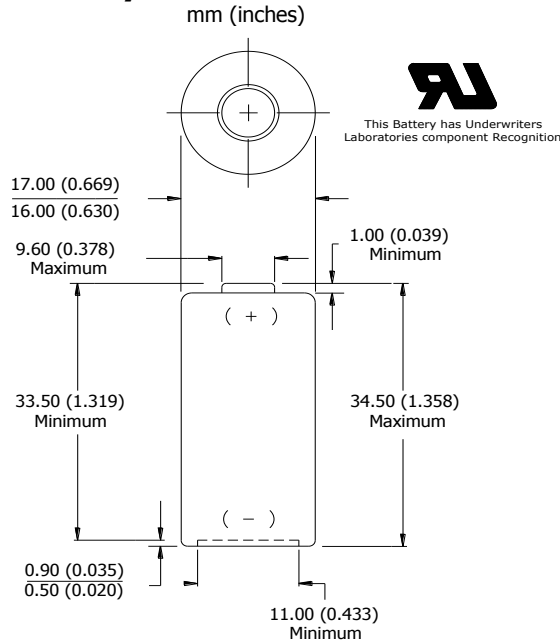


ENERGIZER 123

(EL123AP)



Industry Standard Dimensions



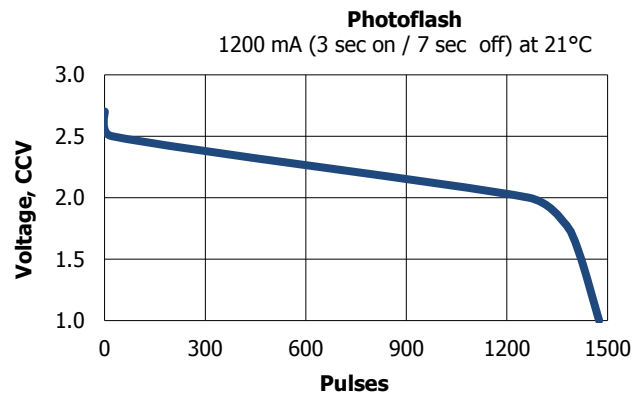
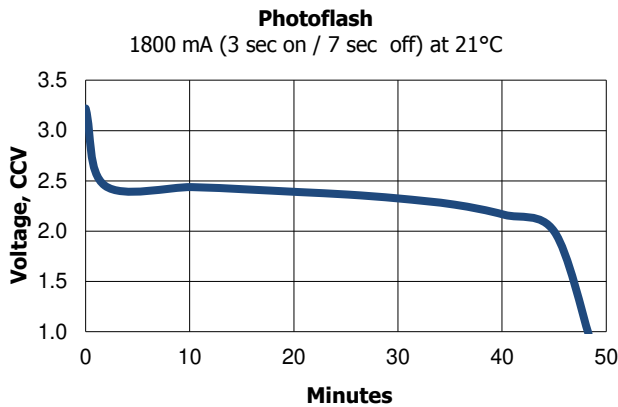
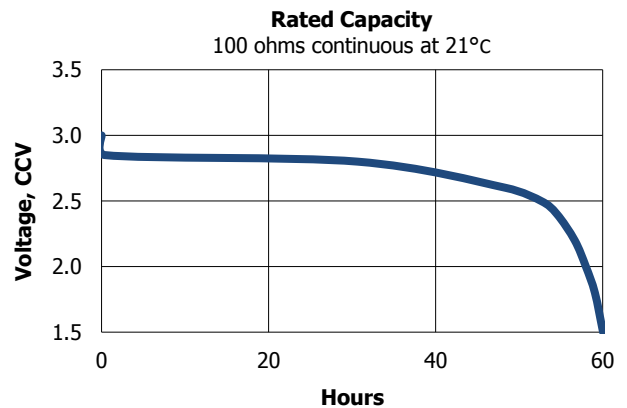
This Battery has Underwriters Laboratories component Recognition

This battery contains a Positive Temperature Coefficient (PTC) safety device to limit current during short circuit conditions.

Specifications

| | |
|----------------------------|--|
| Classification: | "Lithium" |
| Chemical System: | Lithium / Manganese Dioxide (Li/MnO ₂) |
| Designation: | ANSI-5018LC, IEC-CR17345 |
| Nominal Voltage: | 3.0 Volts |
| Storage Temp: | -40°C to 60°C (-40°F to 140°F) |
| Operating Temp: | -40°C to 60°C (-40°F to 140°F) |
| Typical Capacity: | 1500 mAh (to 2.0 volts) (Rated at 100 ohms at 21°C) |
| Typical Weight: | 16.5 grams (0.58 oz.) |
| Typical Volume: | 7.0 cubic centimeters (0.4 cubic inch) |
| Max Discharge: | 1500 mA continuous (3500 mA pulse) |
| Max Rev Current: | 2 uA |
| Typical Li Content: | 0.55 grams (0.019 oz.) |
| UL Listed: | MH29980 |

Typical Discharge Characteristics



Important Notice

This datasheet contains typical information specific to products manufactured at the time of its publication.
Contents herein do not constitute a warranty and are for reference only.