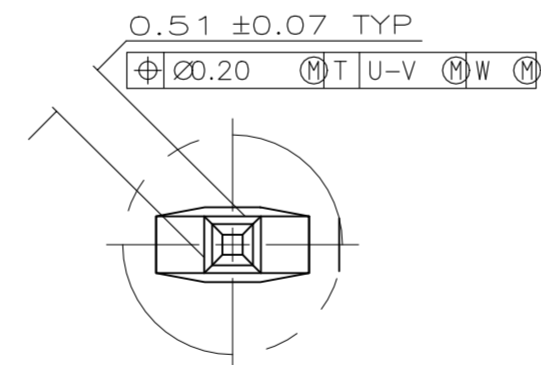
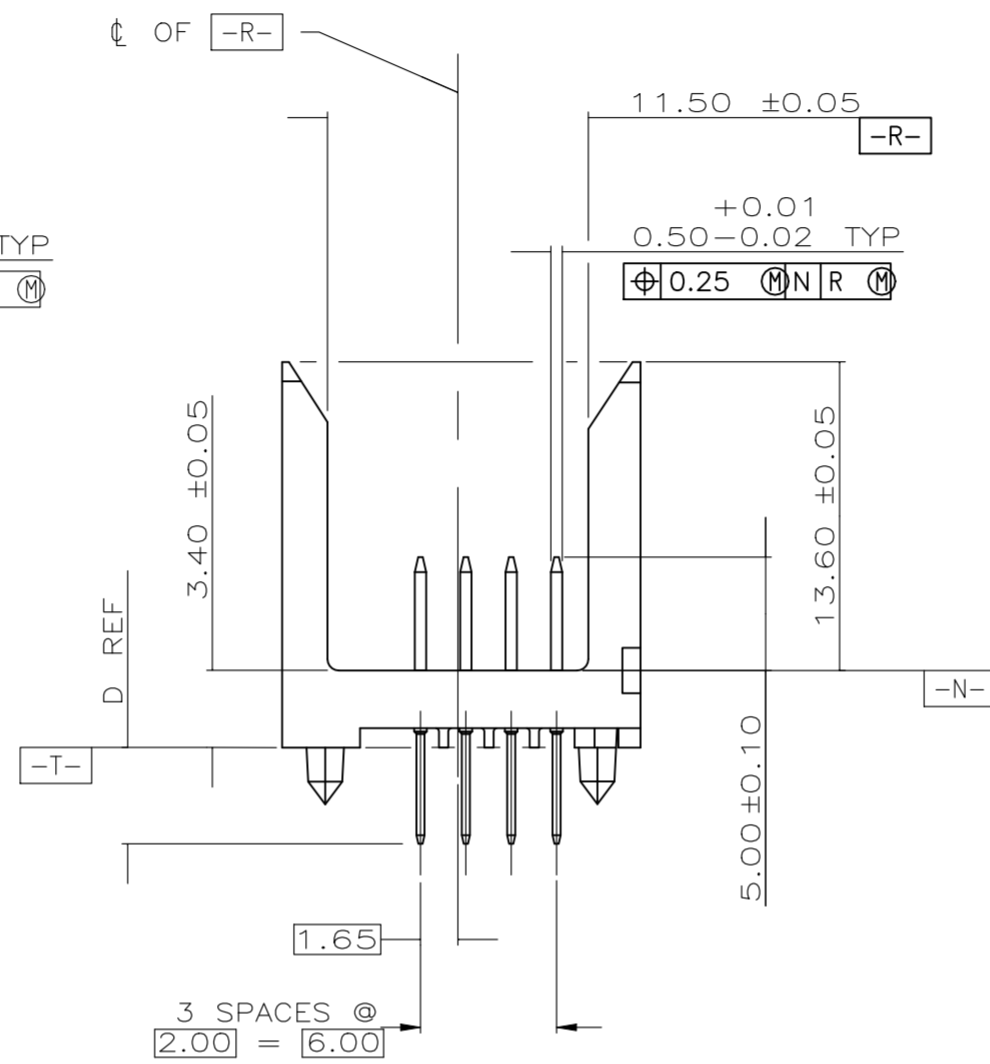
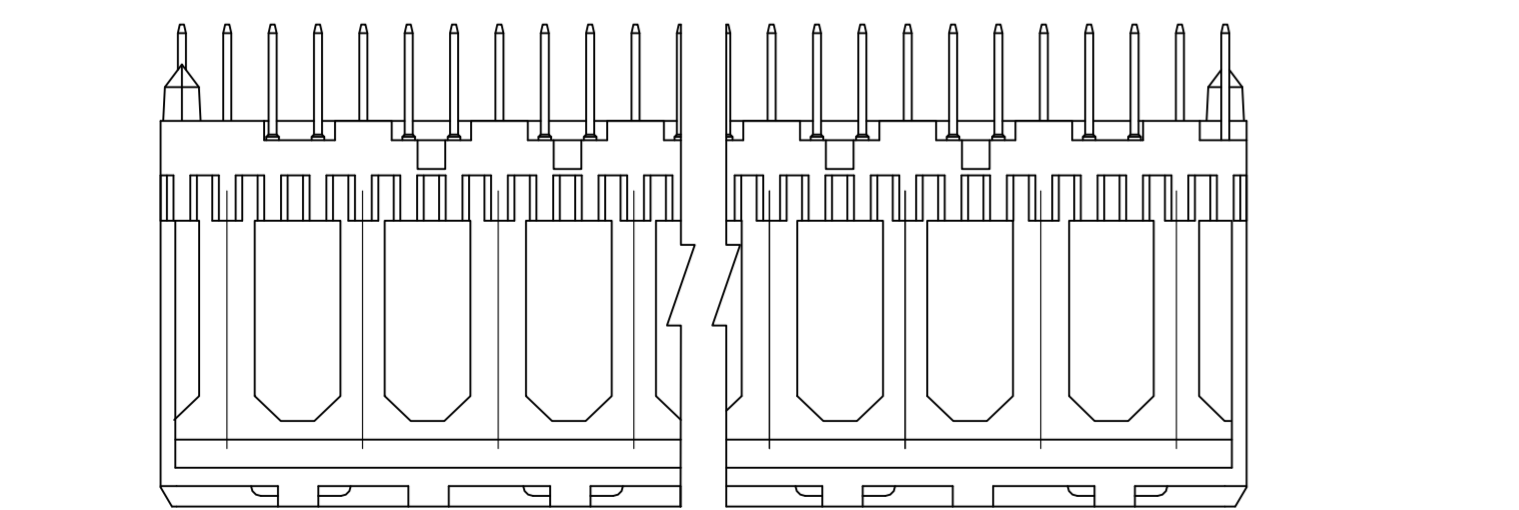
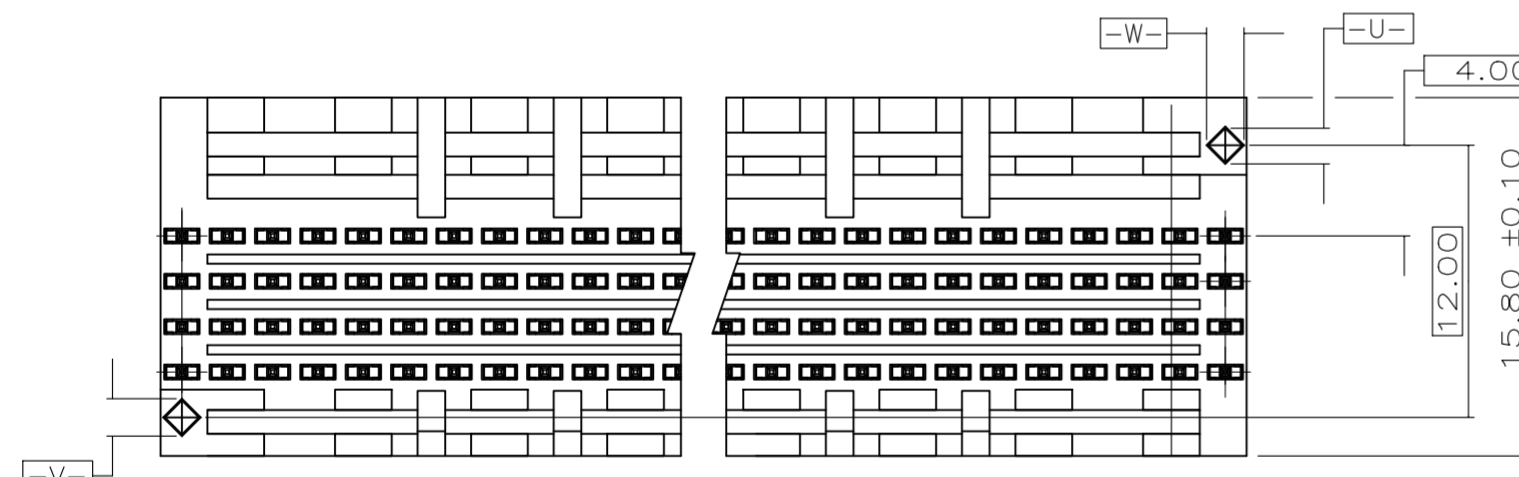
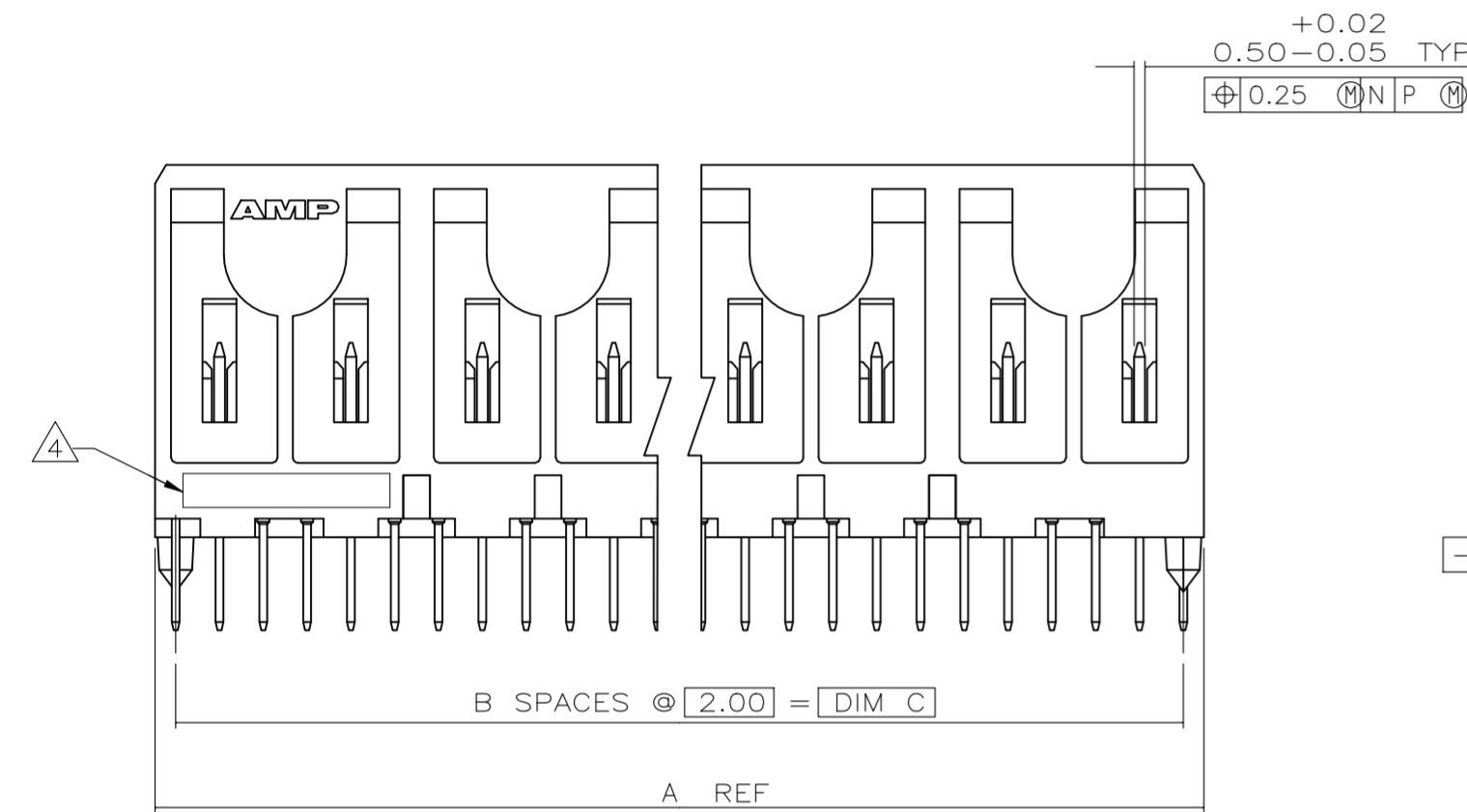
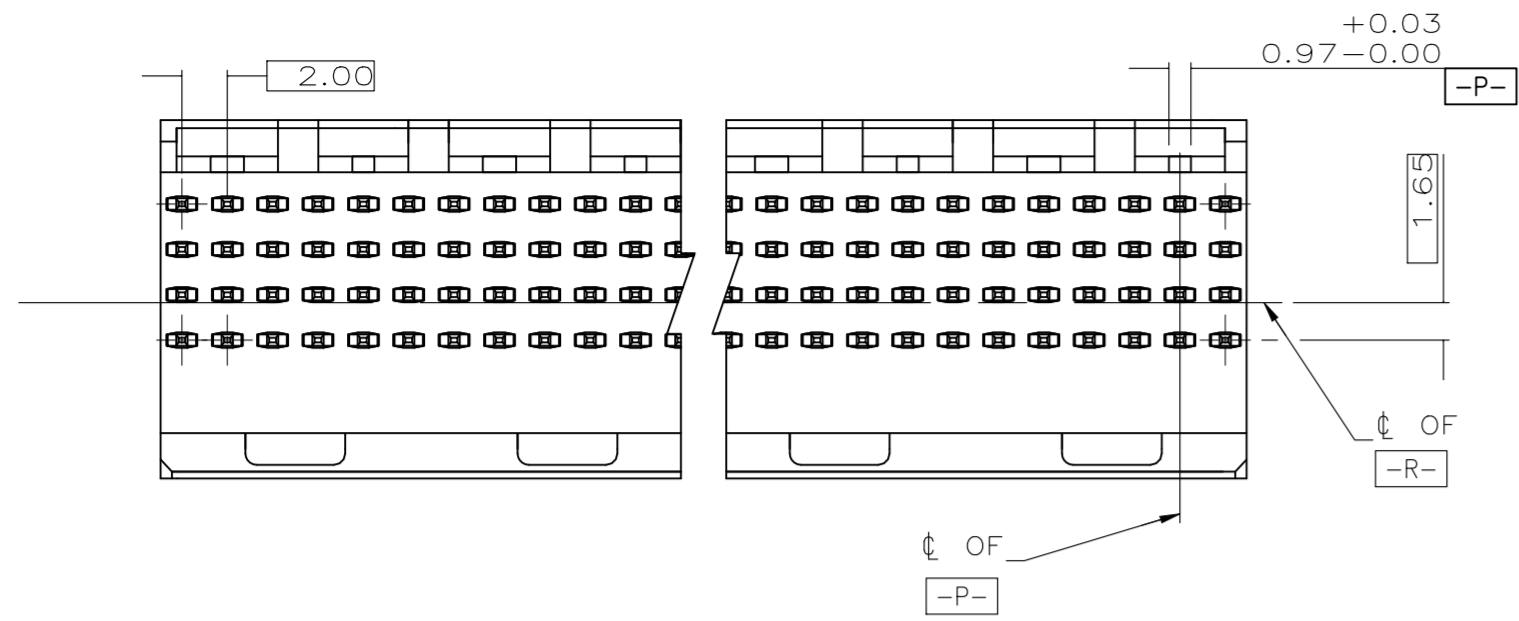
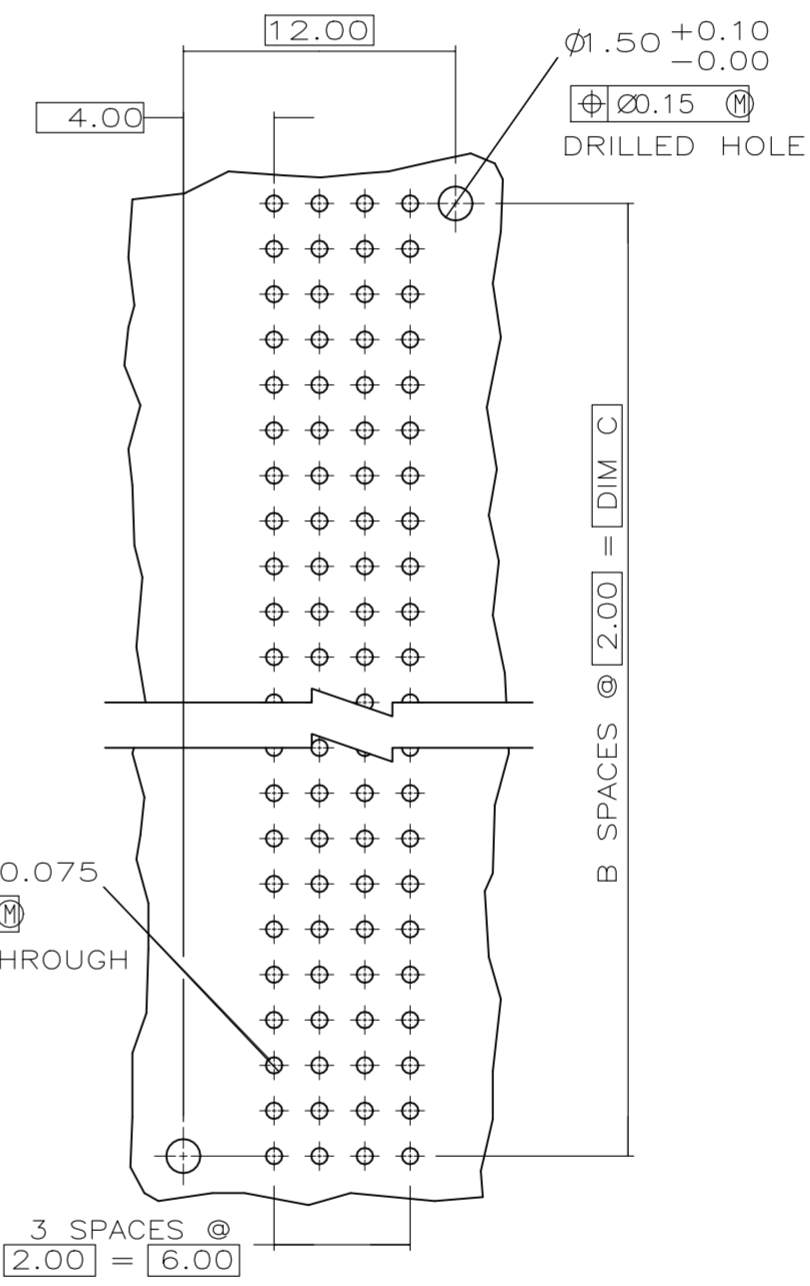


REVISIONS					
P	LTR	DESCRIPTION	DATE	DWN	APVD
M2		REVISED PER ECN-22-135240	31JAN2022	NV	HL



DETAIL Z SCALE 20:1

- 1 HOUSING MATERIAL: LIQUID CRYSTAL POLYMER PER ASTM D5138 LCPO00 G30A 32250.
- 2 CONTACT MATERIAL: PHOSPHOR BRONZE.
- 3 CONTACT FINISH:
UNDERPLATE (ENTIRE CONTACT):
0.00127 MIN NICKEL.
ON MATING SURFACES:
CONFORMS TO ALL TESTING SPECIFIED FOR TELCORDIA UNCONTROLLED ENVIRONMENT.
ON LEADS
0.00381 MIN TIN-LEAD OVER UNDERPLATE.
LUBRICATION (ENTIRE CONTACT):
SURFACE CONDITIONER PER AMP SPEC 112-1002 AFTER PLATING.
- 4 PART MARKING PER AMP INCORPORATED SPECIFICATION 115-9009, LOCATED APPROXIMATELY AS SHOWN.



RECOMMENDED CIRCUIT PATTERN PER IPC-D300 TYPE II, CLASS C (COMPONENT SIDE)

	D	C	B	A	FINISH	NO OF POSN	NUMBER
	4.25	70.00	35	71.88	3	144	536513-5
	4.25	94.00	47	95.88	3	192	536513-4
	4.25	46.00	23	47.88	3	96	536513-3
M2 OBSOLETE	4.25	22.00	11	23.88	3	48	536513-2
M2 OBSOLETE	4.25	10.00	5	11.88	3	24	536513-1

THIS DRAWING IS A CONTROLLED DOCUMENT.		DWN	D.R.BENDER	04/01/93			
DIMENSIONS: mm		CHK	S.HEADER	04/05/93			
TOLERANCES UNLESS OTHERWISE SPECIFIED:		APVD	D.BAECHTLE	04/02/93			
0 PLC ± - 1 PLC ± - 2 PLC ± 0.13 3 PLC ± - 4 PLC ± - ANGLES ± -		PRODUCT SPEC					
MATERIAL		APPLICATION SPEC			NAME		PIN ASSEMBLY, SIGNAL MODULE, Z-PACK 2mm FB
FINISH		WEIGHT		0.000000	SIZE	CAGE CODE	DRAWING NO
		CUSTOMER DRAWING		A2 00779		C=536513	RESTRICTED TO
		SCALE		4:1	SHEET	1 of 1	REV
						M2	