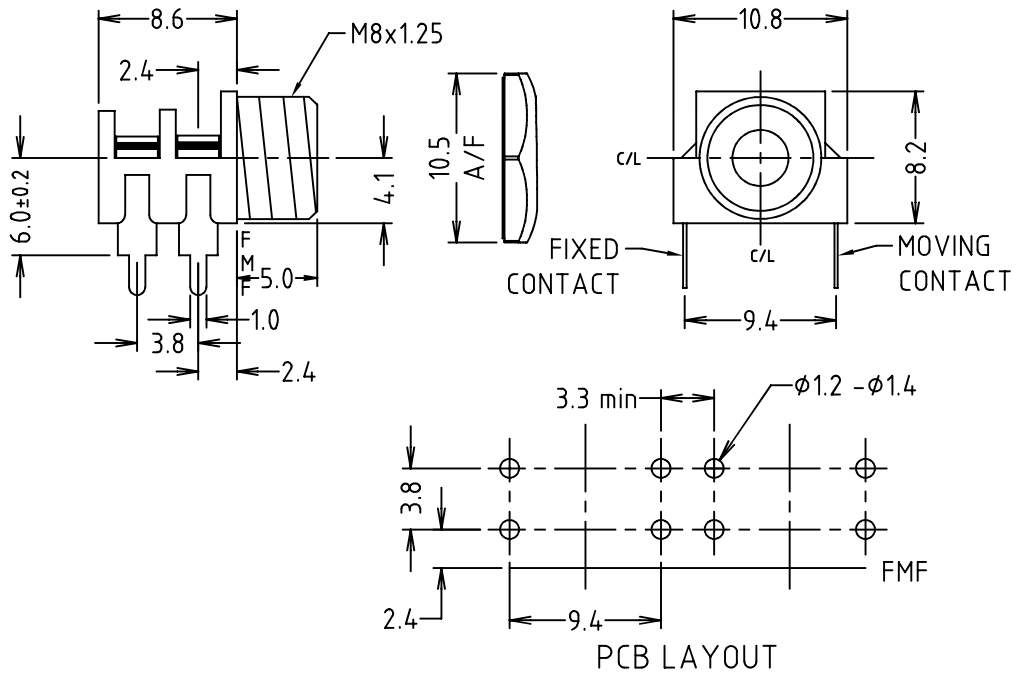


CLIFF

S6 3.5mm JACK SOCKET



CL1384ASM - S6/BB PC Mono Switched 3.5mm jack socket.
Right angle PCB mounting with 6.0mm height from the board.
Supplied assembled with hex nut.