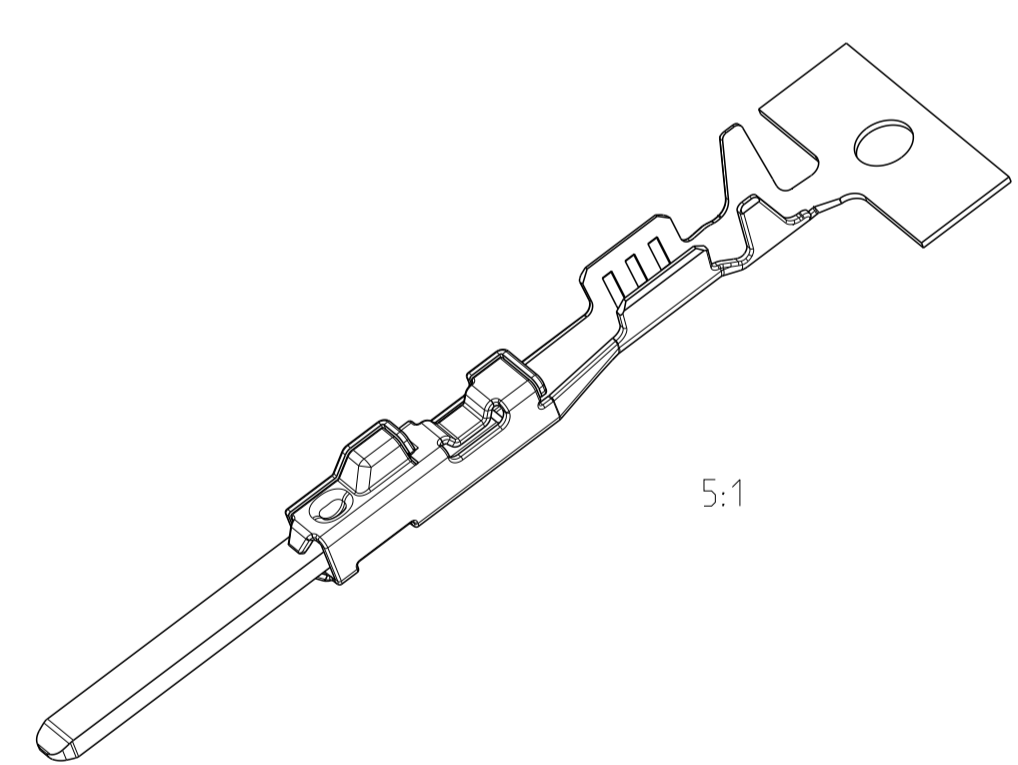


LOC	DIST	REVISIONS			
A1	-	NO.	DESCRIPTION	DATE	BY
		B8	ECR-15-009168	17 JUN 2015	VH
		B9	ADDED PNs 2141114-1, 2141116-1 AND 2177610-1	16 MAY 2016	SCK
		B10	PN 1718348-3 Re-activated. ECR-17-011651	10 AUG 2017	JJH
		B11	Activated Variant PNs 1718352-1/-2/-3	08 FEB 2022	KMD

WIRE - CRIMP Draht - Crimp	STANDARD INSULATION CRIMP Standard Isolations-Crimp	SINGLE WIRE CRIMP Einzeleiter-Dichtungs - Crimp
B-B	C-C	C-C

ORDER NO. Bestell-Nr.	REV	ORDER NO. Bestell-Nr.	WIRE RANGE Drahtgrößenbereich	INSULATION-Ø Isolations-Ø	BODY Kontaktkörper	TAB Flachstecker	BODY Kontaktkörper	TAB Flachstecker	LENGTH Laenge	WIRE CRIMP Drahtcrimp	INSULATION CRIMP Isolationscrimp	DIMENSION MASS	INSULATION CRIMP FOR Isolationscrimp
2177610-3	A	-	1.0-1.5	1.9-2.4	CuSn4	CuSn0.15/0.20	TIN PLATED verzinkt	4 3	A = 3.0 B = 2.0 C = 6.8	E = 2.6 G = 2.9 D _{gr} = 1.35	H = 4.4 K = 4.3 D _{iso} = 2.9 M = 0.8	16.8	SINGLE WIRE SEALING SYSTEM Einzeleiterdichtungssystem
2177610-1	A	-	0.5-0.75	1.4-1.9	CuSn4	CuSn0.15/0.20	TIN PLATED verzinkt	4 3	A = 2.6 B = 2.0 C = 6.4	E = 2.0 G = 2.1 D _{gr} = 1.1	H = 4.2 K = 4.3 D _{iso} = 2.7 M = 0.8	16.3	SINGLE WIRE SEALING SYSTEM Einzeleiterdichtungssystem
2141116-3	B	-	0.25-0.35	1.1-1.6	CuSn4	CuSn0.15/0.20	TIN PLATED verzinkt	4 3	A = 2.6 B = 2.0 C = 6.4	E = 1.8 G = 1.8 D _{gr} = 0.8	H = 4.2 K = 4.3 D _{iso} = 2.6 M = 0.8	16.3	SINGLE WIRE SEALING SYSTEM Einzeleiterdichtungssystem
2141114-3	B	-	1.0-1.5	1.9-2.4	CuSn4	CuSn0.15/0.20	TIN PLATED verzinkt	4 3	A = 3.0 B = 2.0 C = 6.1	E = 2.6 G = 2.9 D _{gr} = 1.35	H = 3.7 K = 3.9 D _{iso} = 2.1 M = 0.2	16.3	SINGLE WIRE SEALING SYSTEM Einzeleiterdichtungssystem
2141114-1	A	-	0.5-0.75	1.4-1.9	CuSn0.15/0.20	CuSn0.15/0.20	TIN PLATED verzinkt	4 3	A = 3.0 B = 2.0 C = 6.1	E = 2.0 G = 2.1 D _{gr} = 1.1	H = 2.7 K = 2.9 D _{iso} = 1.6 M = 0.2	16.3	FLR CABLE Leitung
1718352-3	A	-	0.25-0.35	1.1-1.6	CuSn0.15/0.20	CuSn0.15/0.20	TIN PLATED verzinkt	4 3	A = 2.6 B = 2.0 C = 5.7	E = 1.8 G = 1.8 D _{gr} = 0.8	H = 2.6 K = 2.6 D _{iso} = 1.4 M = 0.2	15.3	FLR CABLE Leitung
1718352-2	A	-	1.0-1.5	1.9-2.4	CuSn4	CuSn0.15/0.20	TIN PLATED verzinkt	4 3	A = 3.0 B = 2.0 C = 6.1	E = 2.6 G = 2.9 D _{gr} = 1.35	H = 3.7 K = 3.9 D _{iso} = 2.1 M = 0.2	16.3	SINGLE WIRE SEALING SYSTEM Einzeleiterdichtungssystem
1718352-1	A	-	0.5-0.75	1.4-1.9	CuSn4	CuSn0.15/0.20	TIN PLATED verzinkt	4 3	A = 2.6 B = 2.0 C = 6.4	E = 2.0 G = 2.1 D _{gr} = 1.1	H = 4.2 K = 4.3 D _{iso} = 2.7 M = 0.8	16.3	SINGLE WIRE SEALING SYSTEM Einzeleiterdichtungssystem
1718350-3	B	1718390-3	1.0-1.5	1.9-2.4	CuSn4	CuSn0.15/0.20	TIN PLATED verzinkt	4 3	A = 3.0 B = 2.0 C = 6.1	E = 2.6 G = 2.9 D _{gr} = 1.35	H = 3.7 K = 3.9 D _{iso} = 2.1 M = 0.2	16.3	SINGLE WIRE SEALING SYSTEM Einzeleiterdichtungssystem
1718350-2	B	1718390-2	0.5-0.75	1.4-1.9	CuSn0.15/0.20	CuSn0.15/0.20	TIN PLATED verzinkt	4 3	A = 3.0 B = 2.0 C = 6.1	E = 2.0 G = 2.1 D _{gr} = 1.1	H = 2.7 K = 2.9 D _{iso} = 1.6 M = 0.2	16.3	FLR CABLE Leitung
1718350-1	B	1718390-1	1.0-1.5	1.9-2.4	CuSn4	CuSn0.15/0.20	TIN PLATED verzinkt	4 3	A = 3.0 B = 2.0 C = 6.1	E = 2.6 G = 2.9 D _{gr} = 1.35	H = 3.7 K = 3.9 D _{iso} = 2.1 M = 0.2	16.3	SINGLE WIRE SEALING SYSTEM Einzeleiterdichtungssystem
1718348-3	A	1703698-3	0.25-0.35	1.1-1.6	CuSn0.15/0.20	CuSn0.15/0.20	TIN PLATED verzinkt	4 3	A = 2.6 B = 2.0 C = 5.7	E = 1.8 G = 1.8 D _{gr} = 0.8	H = 2.6 K = 2.6 D _{iso} = 1.4 M = 0.2	15.3	FLR CABLE Leitung
1718348-2	A	1703698-2	1.0-1.5	1.9-2.4	CuSn4	CuSn0.15/0.20	TIN PLATED verzinkt	4 3	A = 3.0 B = 2.0 C = 6.1	E = 2.6 G = 2.9 D _{gr} = 1.35	H = 3.7 K = 3.9 D _{iso} = 2.1 M = 0.2	16.3	SINGLE WIRE SEALING SYSTEM Einzeleiterdichtungssystem
1718348-1	A	1703698-1	0.5-0.75	1.4-1.9	CuSn4	CuSn0.15/0.20	TIN PLATED verzinkt	4 3	A = 2.6 B = 2.0 C = 6.4	E = 2.0 G = 2.1 D _{gr} = 1.1	H = 4.2 K = 4.3 D _{iso} = 2.7 M = 0.8	16.3	SINGLE WIRE SEALING SYSTEM Einzeleiterdichtungssystem
ORDER NO. Bestell-Nr.	REV	ORDER NO. Bestell-Nr.	WIRE RANGE Drahtgrößenbereich	INSULATION-Ø Isolations-Ø	BODY Kontaktkörper	TAB Flachstecker	BODY Kontaktkörper	TAB Flachstecker	LENGTH Laenge	WIRE CRIMP Drahtcrimp	INSULATION CRIMP Isolationscrimp	DIMENSION MASS	INSULATION CRIMP FOR Isolationscrimp
STRIP Bandware		LOOSE PIECE Einzelausführung	(mm ²)	(mm)	MATERIAL Werkstoff		SURFACE Oberfläche		CRIMP DIMENSIONS Crimpabmessungen	(mm)		(mm)	USER

- 1 LASER WELDED
Lasergeschweisst
- 2 REVISION STATUS
Revisionsstand
- 3 CONTACT AREA TAB MIN. 0.8µm SELECTIV GOLD OVER Ni
Kontaktzone selectiv vergoldet min.0.8µm ueber Ni
- 4 CONTACT AREA TAB MIN. 2.0µm SELECTIV SILVER
Kontaktzone selectiv versilbert min.2.0µm
- 5 RETENTION FORCE INSERT TAB PUSHED INSIDE BODY MIN. 40N
Haltekraefte Insertab in Body "gedrueckt" min. 40N
- 6 DIFFERENT FORM OF THE SERRATIONS AND WIRE-CRIMP POSSIBLE
unterschiedliche Ausfuehrung der Ritzen und des Draht-Crimps moeglich
- 7 SEE APPLICATION SPECIFICATION TE-SPEC. 114-18464
siehe Verarbeitungsspezifikation



PRODUCT CHARACTERISTICS ACC. QMP_EMEA_012 BESONDERE MERKMALE NACH QMP_EMEA_012	TOLERANCING ISO 8015 TOLERIERUNG ISO 8015	DWN J.SIENKIEWICZ 29APR2004	NAME MCON 1.2 TAB-CB-TERMINAL MCON 1.2 Tab-CB-Flachstecker
THIS DRAWING IS A CONTROLLED DOCUMENT. DIESER ZEICHNUNGSDRUCK IST EIN KONTROLLIERTES DOKUMENT. ANSPRUCH AUF DEN STUENDRUCK VERBODEN. VERBODEN AUF VERKOPPIERUNG. ALLE RECHTE VORBEHALTEN. © 2003 TYCO ELECTRONICS AMP GMBH	OTHERWISE SPECIFIED: ALGEMEINER TOLERANZ 0 PLC ± 1 PLC ± 2 PLC ± 3 PLC ± 4 PLC ±	APVD W. Mueller 29APR2004	RESTRICTED TO NUR FÜR
DIMENSIONS: MASSENMEN (mm)	FINISH/SCHLAEFFE/FARBE - -	SCALE 10:1	SHEET 1 OF 1
MATERIAL -	WEIGHT GEWICHT -	CAGE CODE 00779	REV B11
Customer Drawing		/KUNDENZEICHNUNG	