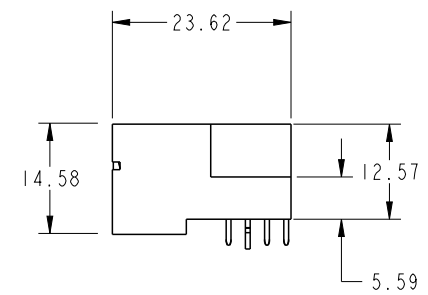
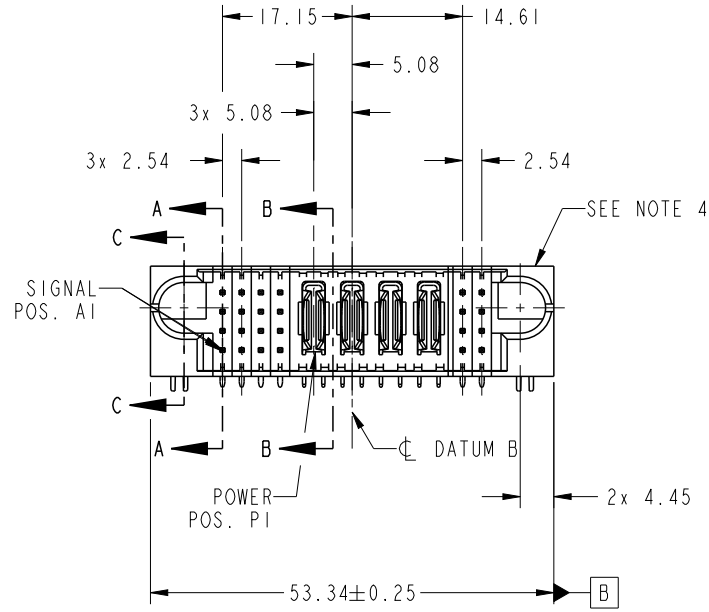


PRODUCT NO.	ROWS	S				POWER				S	
		E1	1	2	3	4	P1	P2	P3	P4	5
51939-979LF	DCBA										



CODE	DIM "M" MATING LENGTH	CONTACT TYPE
H	[5.59]	SIGNAL
G	[5.59]	SIGNAL
F	[5.59]	SIGNAL
E	[5.59]	SIGNAL
U	[6.86]	SIGNAL
T	[6.86]	SIGNAL
S	[6.86]	SIGNAL
R	[6.86]	SIGNAL
PA	[N/A]	POWER
HA	[N/A]	HOLD-DOWN



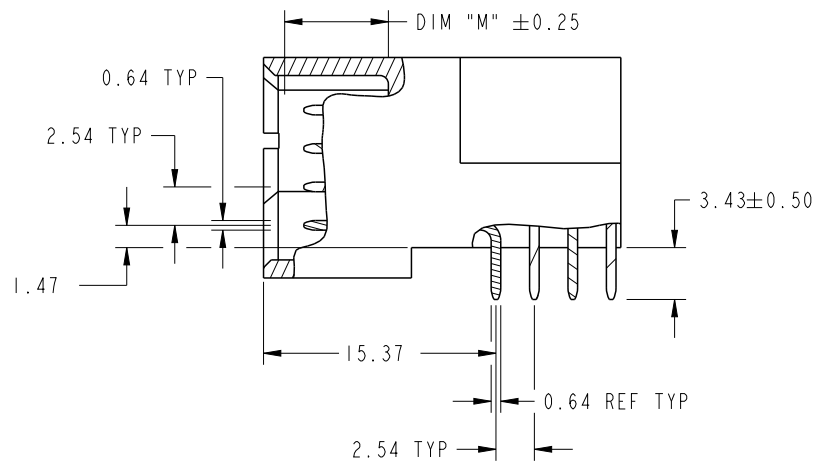
Copyright FCI.

spec ref	*	dr	De-Ming Lu	2015/06/30	projection 	MM ←→	size	A4	scale	1:1		
tolerance std	ASME Y14.5	eng	De-Ming Lu	2015/07/02			ecn no	-				
TOLERANCES UNLESS OTHERWISE SPECIFIED		chr	Fancy Zhang	2015/07/02			rel level	Released				
surface	✓	appr	Pei-Ming Zheng	2015/07/02	product family	PwrBlade	rev					
ASME Y14.5	linear	0.X	±0.5	 www.fci.com	title 16S + 4DCP + 8S RIGHT ANGLE SOLDER HEADER	dwg no 51939-979	rev A					
		0.XX	±0.25					cat. no.	-	Product - Customer Drw	sheet 1 of 4	
	angular	0°	±2°									

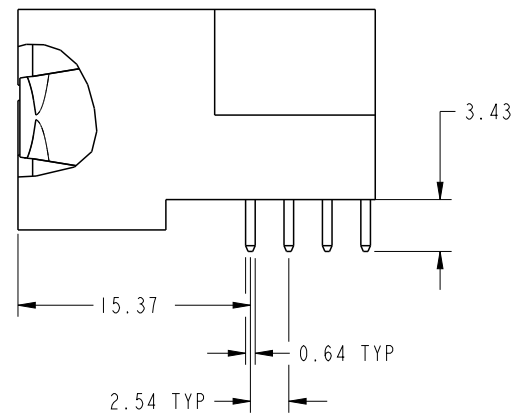
PrdE File - REV C - 2009-06-09

PRODUCT NUMBER

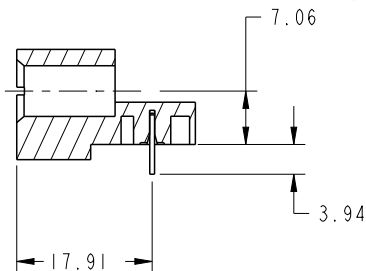
51939-979LF



BROKEN-OUT SECTION A-A
SCALE 2:1



BROKEN-OUT SECTION B-B
SCALE 2:1



SECTION C-C

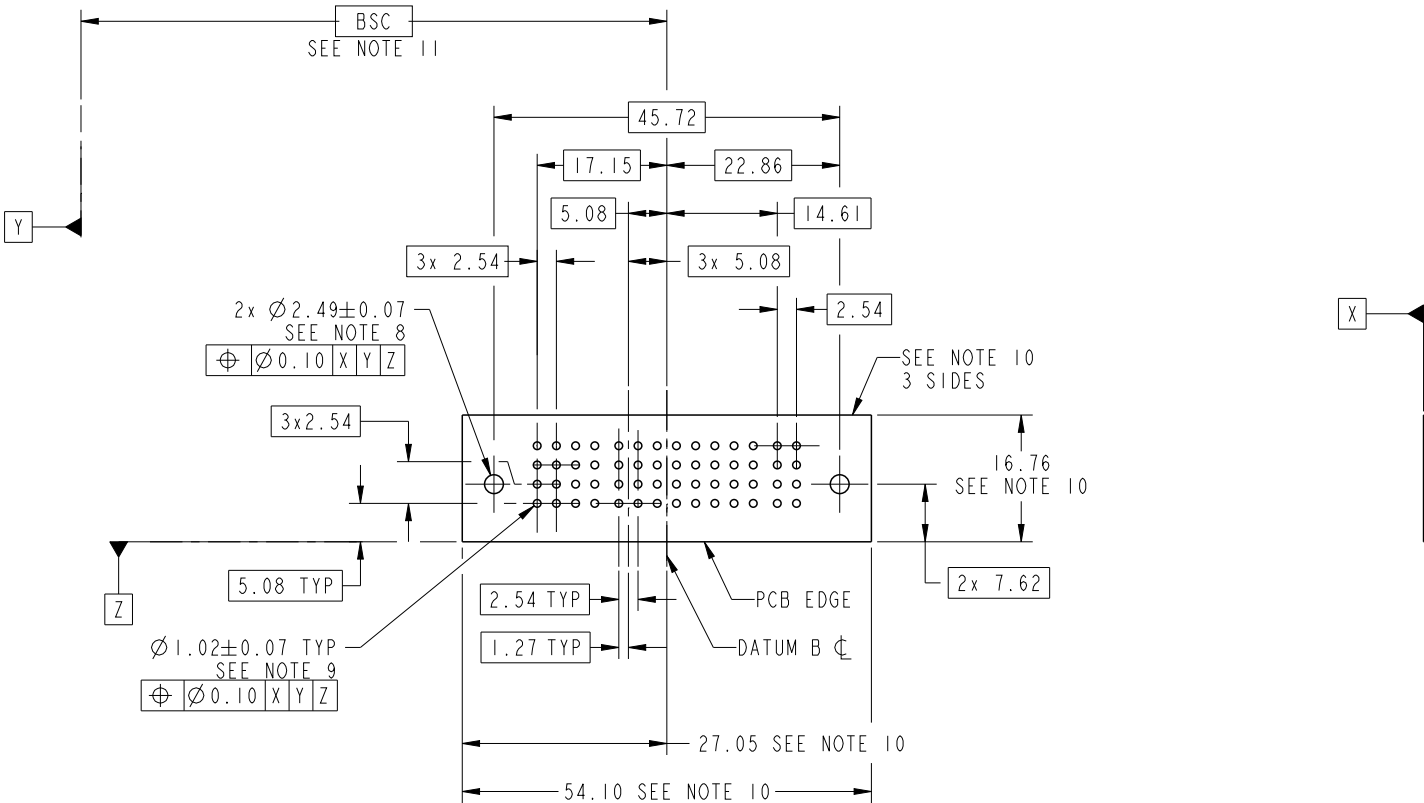
dr	De-Ming Lu	2015/06/30	projection 	MM ←————→	size	A4	scale	1:1	
eng	De-Ming Lu	2015/07/02			ecn no	-			
chr	Fancy Zhang	2015/07/02			rel level	Released			
appr	Pei-Ming Zheng	2015/07/02	product family	PwrBlade	rev	A			
		title		16S + 4DCP + 8S		dwg no		51939-979	
www.fci.com		cat. no.		-		Product - Customer Drw		sheet 2 of 4	
		RIGHT ANGLE SOLDER HEADER							



Copyright FCI.

PRODUCT NUMBER

51939-979LF



RECOMMENDED PCB LAYOUT

dr	De-Ming Lu	2015/06/30	projection 	MM 	size	A4	scale	1:1
eng	De-Ming Lu	2015/07/02			ecn no	-		
chr	Fancy Zhang	2015/07/02			rel level	Released		
appr	Pei-Ming Zheng	2015/07/02	product family	PwrBlade	rev	A		
		title	16S + 4DCP + 8S RIGHT ANGLE SOLDER HEADER		dwg no	51939-979		
www.fci.com		cat. no.	-		Product - Customer Drw		sheet 3 of 4	

PRODUCT NUMBER

51939-979LF

NOTES:

1. DIMENSIONS AND TOLERANCES ARE IN ACCORDANCE WITH ASME Y14.5M, 1994 UNLESS OTHERWISE SPECIFIED.

CONNECTOR NOTES:

- 2. HOUSING MATERIAL: UL 94 V-0 GLASS FILLED HIGH-TEMP THERMOPLASTIC
POWER CONTACT MATERIAL: COPPER ALLOY
SIGNAL PIN MATERIAL: COPPER ALLOY
- 3. SEE FCI PLATING SPEC 10064183.
- 4. MANUFACTURER'S NAME, DATE CODE AND OPTIONAL P/N TO APPEAR ON THIS SURFACE. THE MARK CAN BE OMITTED IF THERE IS NOT ENOUGH SPACE ON THIS SURFACE.
- 5. PRODUCT SPECIFICATION GS-12-149.
APPLICATION SPECIFICATION BUS-20-067.
- 6. PACKAGED IN TRAYS.

PCB NOTES:

- 7. ALL HOLE DIAMETERS ARE FINISHED HOLE SIZE.
- 8. MOUNTING HOLES, WHERE APPLICABLE, ARE UNPLATED.
- 9. $\varnothing 1.151 \pm 0.025$ DRILLED HOLES PLATED WITH
0.008 MIN SnPb OR Sn OVER 0.03
TO 0.08 Cu PLATING TO ACHIEVE
 $\varnothing 1.02 \pm 0.07$ HOLE.
- 10. CONNECTOR KEEP-OUT ZONE.
- 11. DATUM AND BASIC DIMENSIONS ARE ESTABLISHED BY CUSTOMER.

dr	De-Ming Lu	2015/06/30	projection 	MM 	size	A4	scale	1:1			
eng	De-Ming Lu	2015/07/02			ecn no	-					
chr	Fancy Zhang	2015/07/02			product family	PwrBlade	rel level	Released			
appr	Pei-Ming Zheng	2015/07/02	FCj		title	16S + 4DCP + 8S RIGHT ANGLE SOLDER HEADER		dwg no	51939-979	rev	A
www.fci.com		cat. no.	-	Product - Customer Drw			sheet 4 of 4				



Copyright FCI.