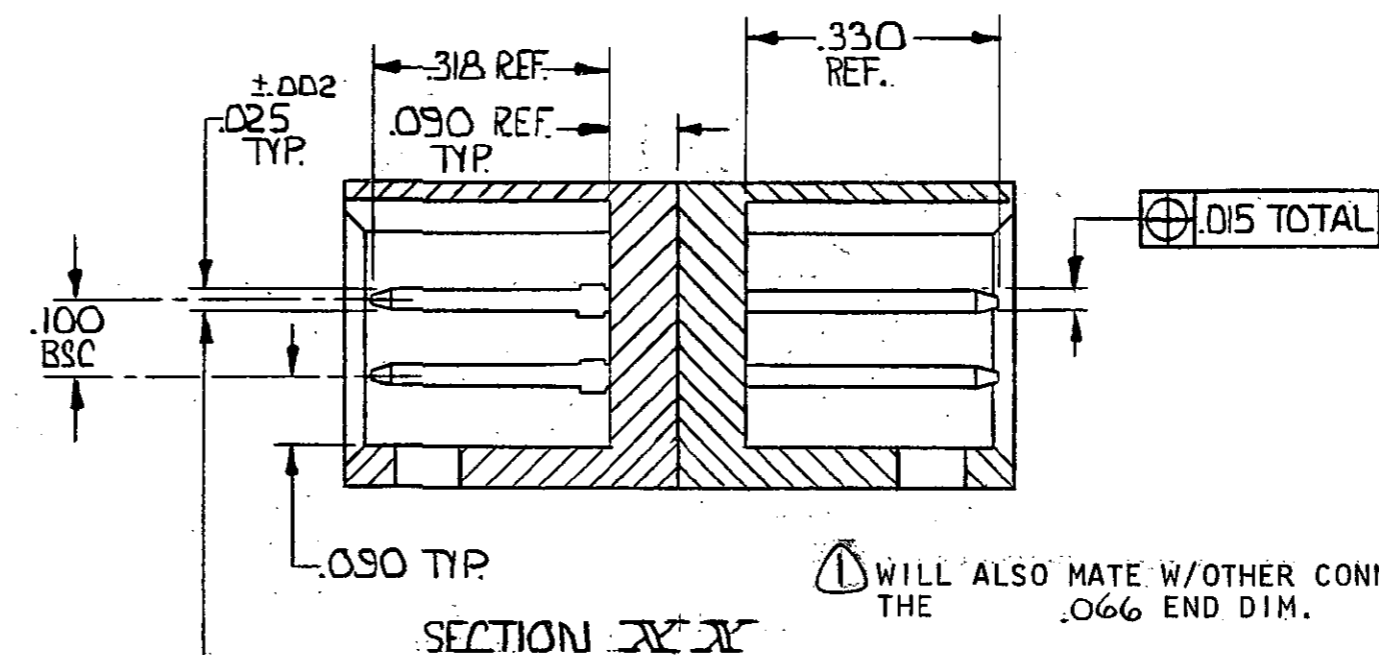
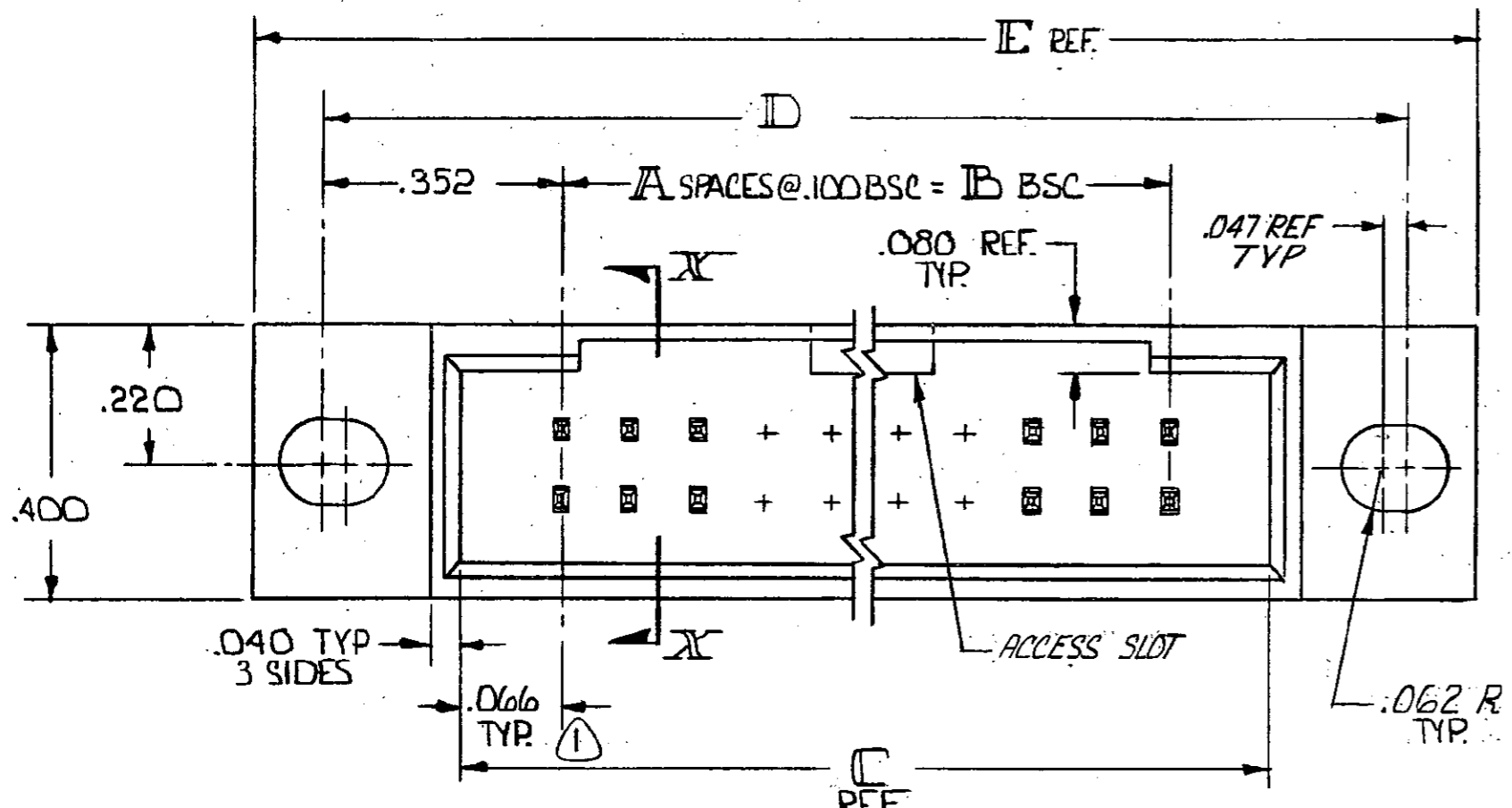


© COPYRIGHT 1975-83 BY AMP INCORPORATED, HARRISBURG, PA. ALL INTERNATIONAL RIGHTS RESERVED. AMP INCORPORATED PRODUCTS COVERED BY U. S. AND FOREIGN PATENTS AND/OR PATENTS PENDING.

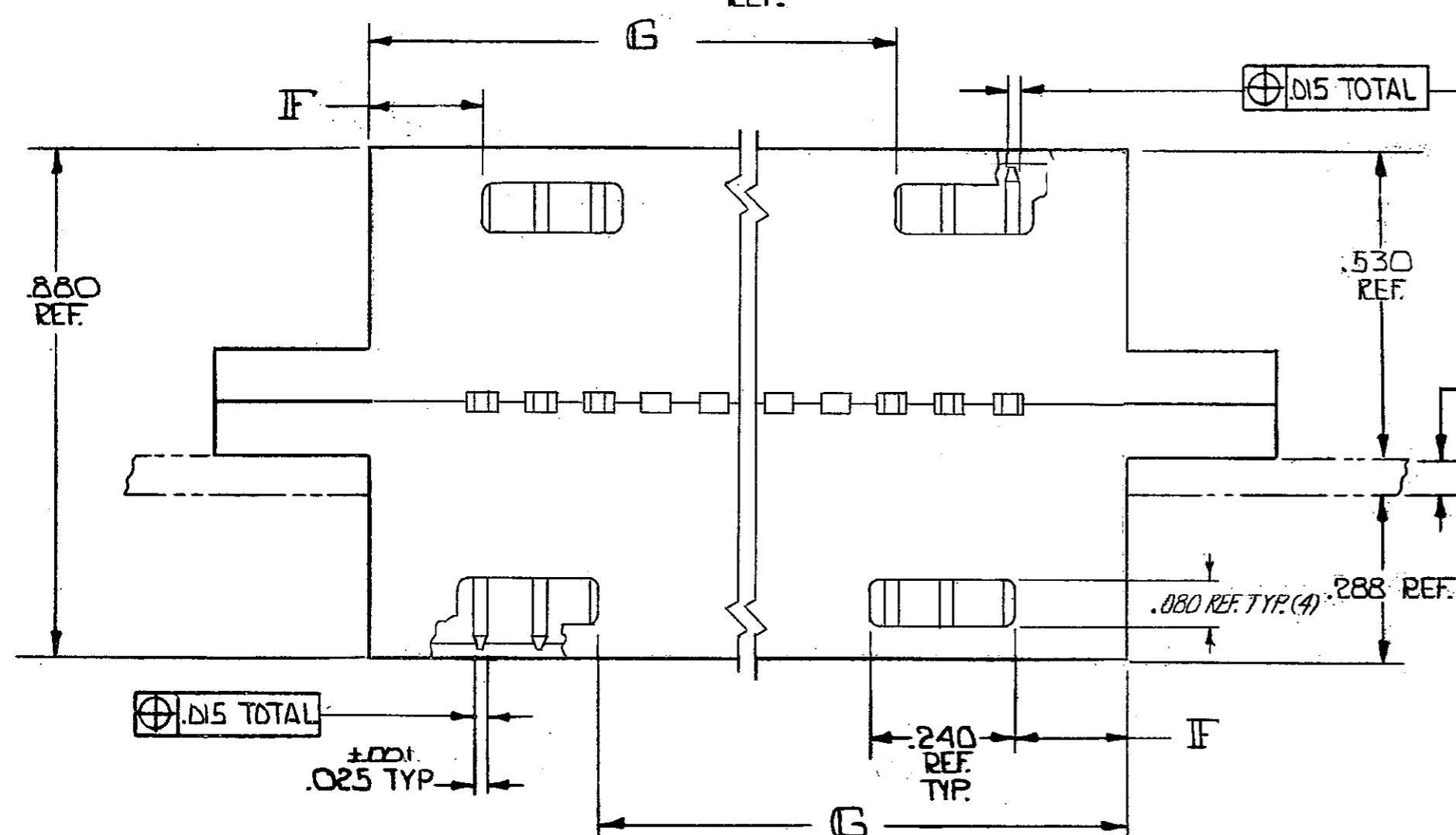
REVISIONS				
P/F	ZONE/LTR	DESCRIPTION	DATE	APPROVED
	G	REV PER 0310-0025-98	04OCT01	JO
	G1	REVISED PER ECO-09-026346	NOV09	AEG



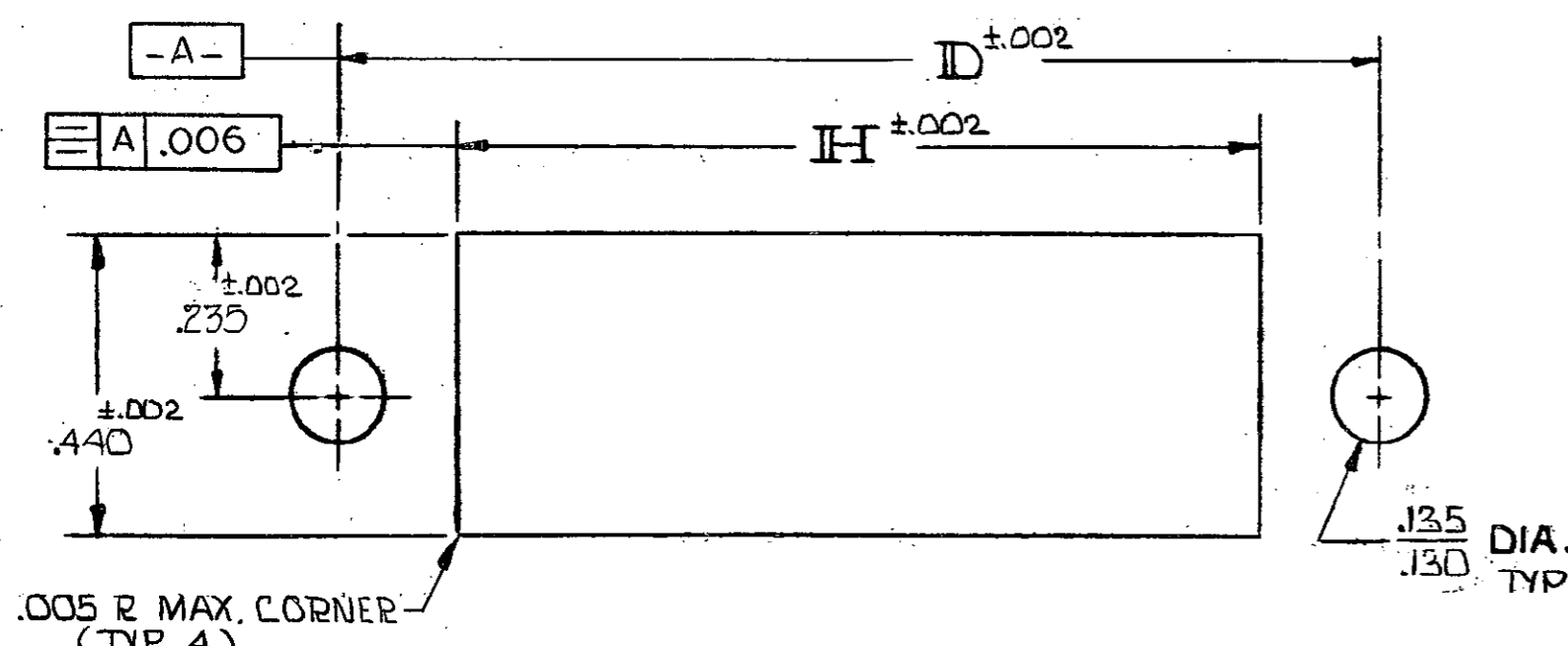
① WILL ALSO MATE W/OTHER CONNECTORS WHICH ARE COMPATIBLE WITH THE .066 END DIM.

△ OBSOLETE PART NUMBER

△ OBSOLETE PARTS: OBSOLETE CIS STREAMLINING PER D.RENAUD/D.SINISI



△ OBSOLETE	3.132	2.806	.106	3.804	3.604	3.032	2.900	29	60	2-87608-6
	3.032	2.706		3.704	3.504	2.932	2.800	28	58	2-△-5
	2.932	2.606		3.604	3.404	2.832	2.700	27	56	2-△-4
	2.832	2.506		3.504	3.304	2.732	2.600	26	54	2-△-3
	2.732	2.406		3.404	3.204	2.632	2.500	25	52	2-△-2
	2.632	2.306		3.304	3.104	2.532	2.400	24	50	2-△-1
	2.532	2.206		3.204	3.004	2.432	2.300	23	48	1-△-0
	2.432	2.106		3.104	2.904	2.332	2.200	22	46	1-△-9
	2.332	2.006		3.004	2.804	2.232	2.100	21	44	1-△-8
	2.232	1.906		2.904	2.704	2.132	2.000	20	42	1-△-7
	2.132	1.806		2.804	2.604	2.032	1.900	19	40	1-△-6
	2.032	1.706		2.704	2.504	1.932	1.800	18	38	1-△-5
	1.932	1.606		2.604	2.404	1.832	1.700	17	36	1-△-4
	1.832	1.506		2.504	2.304	1.732	1.600	16	34	1-△-3
	1.732	1.406		2.404	2.204	1.632	1.500	15	32	1-△-2
	1.632	1.306		2.304	2.104	1.532	1.400	14	30	1-△-1
	1.532	1.206		2.204	2.004	1.432	1.300	13	28	1-△-0
	1.432	1.106		2.104	1.904	1.332	1.200	12	26	△-9
	1.332	1.006		2.004	1.804	1.232	1.100	11	24	△-8
	1.232	.906		1.904	1.704	1.132	1.000	10	22	△-7
	1.132	.806	.106	1.804	1.604	1.032	.900	9	20	△-6
	1.032	—	.406	1.704	1.504	.932	.800	8	18	△-5
	.932	—	.306	1.604	1.404	.832	.700	7	16	△-4
	.832	—	.206	1.504	1.304	.732	.600	6	14	△-3
	.732	—	.206	1.404	1.204	.632	.500	5	12	△-2
	.632	—	.206	1.304	1.104	.532	.400	4	10	87608-1
H	G	F	E	D	C	B	A	ND. OF POS.		PART NO.



RECOMMENDED PANEL CUT-OUT

UNLESS OTHERWISE SPECIFIED DIMENSIONS ARE IN INCHES. TOLERANCES ON: DECIMALS ±.005 ANGLES	CONTRACT NO OR D. Miller 5/18/75 CHK D. Miller 9-18-75	AMP INCORPORATED Harrisburg, Pa.
MATERIAL HSG'S. - GLASS FILLED NYLON COLOR: BLACK CONTACT- PHOS BRONZE	APPD R. Bennett 9/22/75 APPD R. Clark 9/22/75	NAME HEADER ASS'Y., MOD II, .100 x .100 CENTERS, MTG. EARS, W/ PIN PROTECTORS BOTH SIDES MATES W/ MOD IV (BOTH SIDES) △
FINISH CONTACT- 000030 GOLD OVER 000050 NICKEL	DSGN APPD OTHER APPD	SIZE CODE IDENT NO DRAWING NO C 00779 87608
		SCALE SHEET 1 of 1