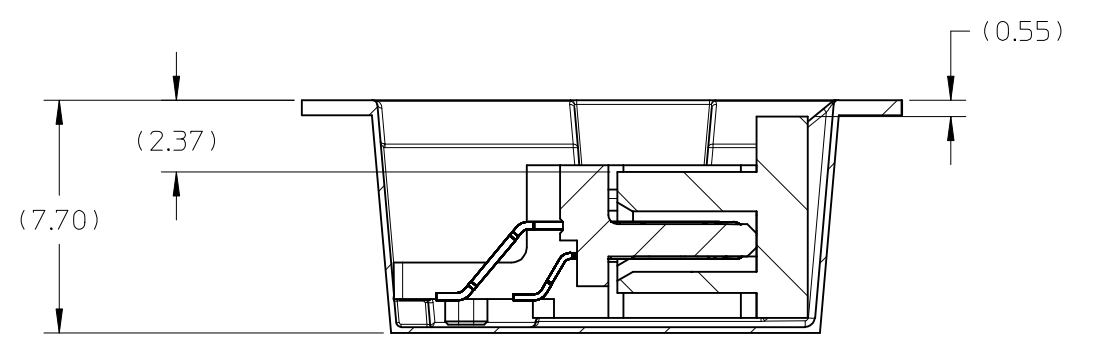
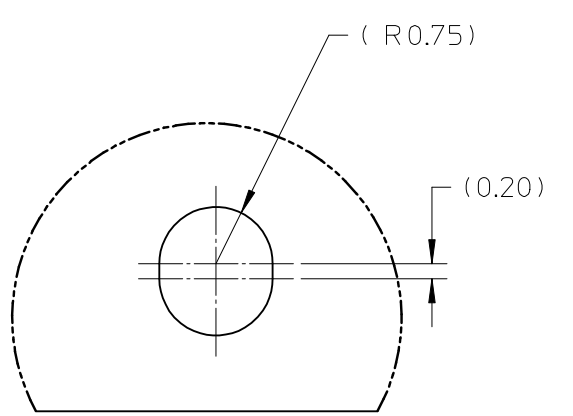


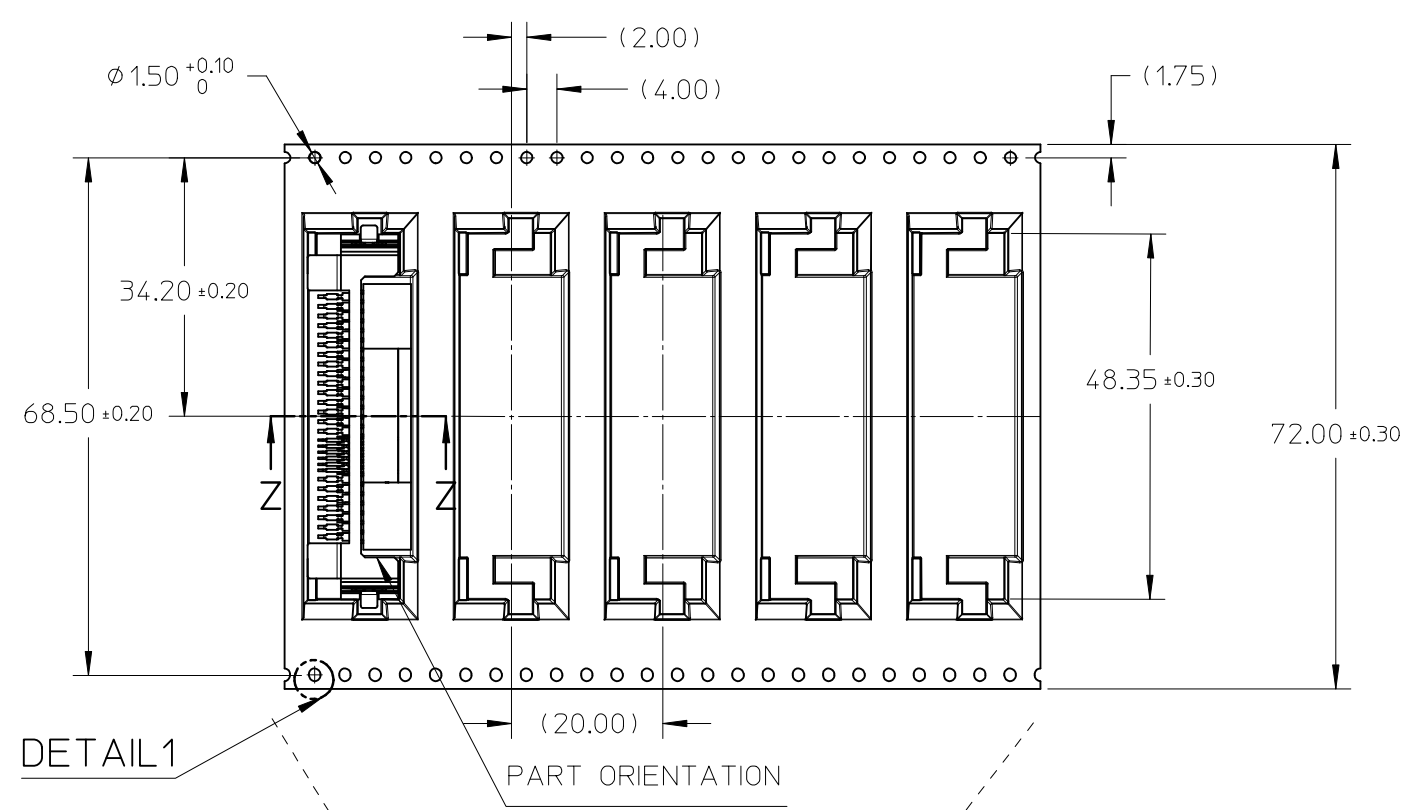
EMBOSSED TAPE PART NO	TOP TAPE PART NO	ASSEMBLY PART NO	QUANTITY/ REEL	REELS/ CARTON
78888-2046	47799-5200	78758-0001	500	2
		78758-0002		



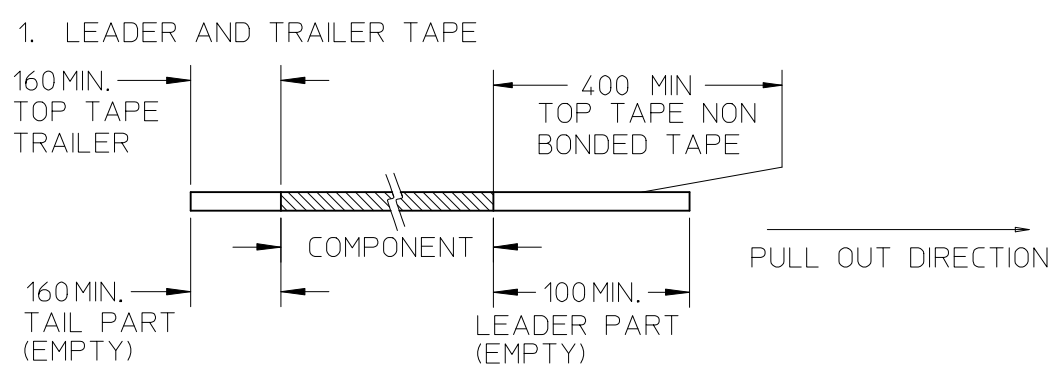
SECTION Z-Z



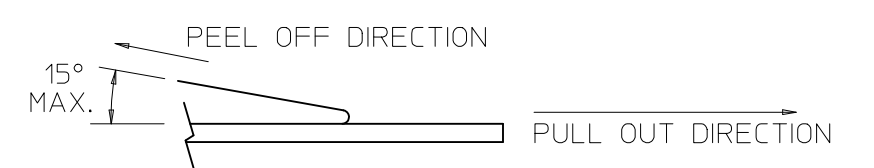
DETAIL1



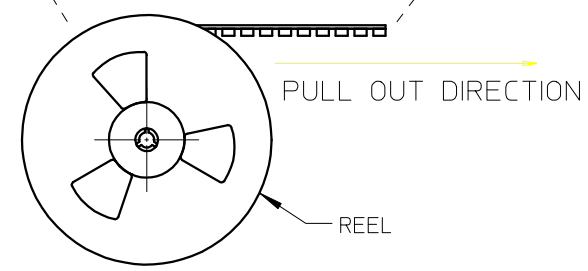
NOTES:



2. PEELING OFF FORCE OF THE TOP TAPE: 10 - 150gf. (PEELING DIRECTION AS SHOWN IN FOLLOWING FIGURE)



- 3. TAPE AND REEL SPECIFICATION IS AS PER EIA-481.
- 4. TAPE AND REEL QUANTITY : 500 PCS/ REEL.
- 5. THE TAPE IS TREATED FOR ANTI-STATIC.
- 6. PARTS TO BE PACKED AND ORIENTATED AS PER DETAIL SHOWN.
- 7. CLOSE CARTON WITH TAPE.
- 8. ORIENTATION OF THE CONNECTOR IN ALL OTHER PRODUCTS ARE SAME AS THE SHOWN.



USE ESD TOP TAPE EC NO: S2016-0877 DRWN:WZHA021 CH'KD:MLONG APPR:SHLENI	2016/04/07 2016/04/15 2016/05/25	DESCRIPTION QUALITY SYMBOLS $\nabla_A=0$ $\nabla_C=0$ $\nabla_P=0$	GENERAL TOLERANCES (UNLESS SPECIFIED)		DIMENSION STYLE MM ONLY		SCALE NTS	DESIGN UNITS METRIC	THIRD ANGLE PROJECTION		
				mm	INCH	DRAWN BY CGOH	DATE 2012/09/20	TITLE PACKAGING SPECIFICATION FOR 78758 (TAPE & REEL) SAS/PCIE PLUG			
			4 PLACES	± ---	± ---	CHECKED BY GMENARLY	DATE 2012/10/17				
			3 PLACES	± ---	± ---	APPROVED BY BOKOK	DATE 2012/10/17	molex DOCUMENT NO. PK-78758-001 SHEET NO. 1 OF 2			
2 PLACES	± ---	± ---	MATERIAL NO. SEE TABLE								
1 PLACE	± ---	± ---	ANGULAR ± --- °		THIS DRAWING CONTAINS INFORMATION THAT IS PROPRIETARY TO MOLEX INCORPORATED AND SHOULD NOT BE USED WITHOUT WRITTEN PERMISSION						
0 PLACE	±	±	DRAFT WHERE APPLICABLE MUST REMAIN WITHIN DIMENSIONS								

REEL WITH COMPONENTS IN POLYBAG

1X SPONGE CUSHION ON TOP AND BOTTOM 47799-7114

TOTAL NUMBER OF REEL : 2

1X SPONGE CUSHION IN BETWEEN REEL 887962185

REEL WITH COMPONENTS

POLYBAGS 887962470

CARTON 96708-0005

CARTON LABEL

Stack Reel

- NOTES:
 9. PARTS MUST BE PACKED AND ORIENTATED AS PER DETAIL SHOWN.
 10. CLOSE CARTON WITH TAPE.
 11. ORIENTATION OF THE CONNECTOR IN ALL OTHER POCKETS ARE THE SAME AS THE SHOWN.

USE ESD TOP TAPE EC NO: S2016-0877 DRWN:WZHA021 2016/04/07 CHKD:MLONG 2016/04/15 APPR:SHLENI 2016/05/25	REV DESCRIPTION 3	QUALITY SYMBOLS	GENERAL TOLERANCES (UNLESS SPECIFIED)		DIMENSION STYLE MM ONLY		SCALE NTS	DESIGN UNITS METRIC	THIRD ANGLE PROJECTION	
		$F_A=0$ $F_E=0$ $F_P=0$	mm	INCH	DRAWN BY CGOH	DATE 2012/09/20	TITLE	PACKAGING SPECIFICATION FOR 78758 (TAPE & REEL) SAS/PCIE PLUG molex		
		4 PLACES ± --- ± ---	3 PLACES ± --- ± ---	2 PLACES ± --- ± ---	1 PLACE ± --- ± ---	0 PLACE ± ±	CHECKED BY GMENARLY			
		ANGULAR ± --- °		DRAFT WHERE APPLICABLE MUST REMAIN WITHIN DIMENSIONS		MATERIAL NO. SEE TABLE		DOCUMENT NO. PK-78758-001	SHEET NO. 2 OF 2	
THIS DRAWING CONTAINS INFORMATION THAT IS PROPRIETARY TO MOLEX INCORPORATED AND SHOULD NOT BE USED WITHOUT WRITTEN PERMISSION										