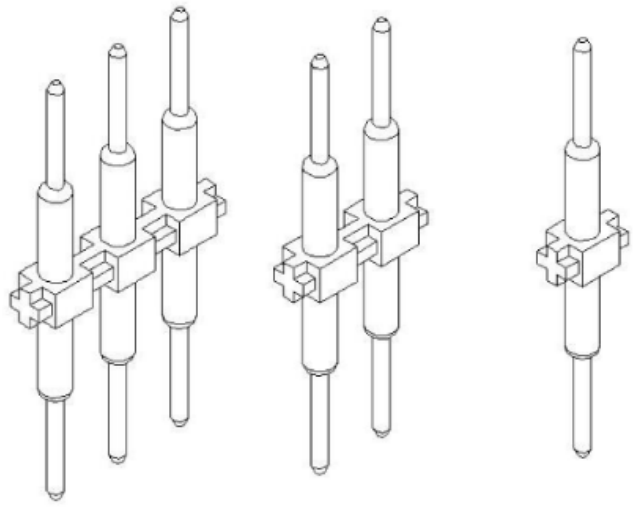


6 | 5 | 4 | 3 | 2 | 1

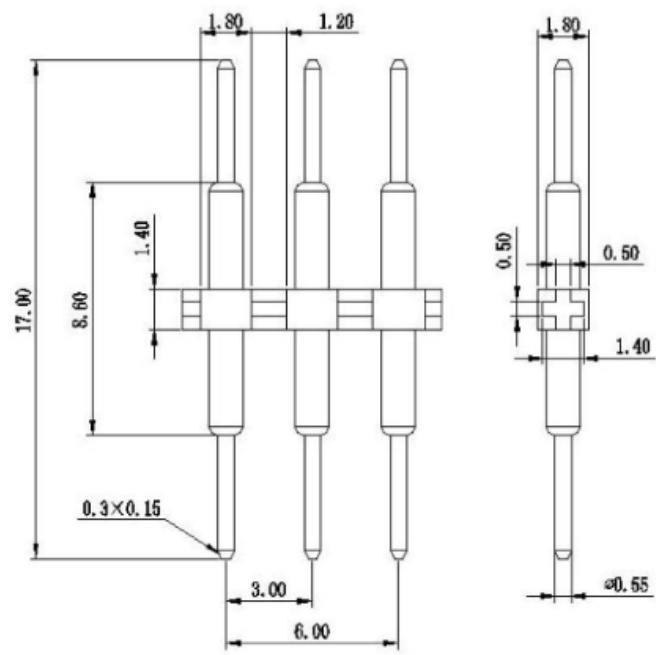


**MATERIAL SPECIFICATIONS:**  
 Housing: LCP  
 Contacts: Phosphor bronze, Tin plated

**ELECTRICAL SPECIFICATIONS:**  
 Rated current: 3 Amps max.  
 Rated voltage: 160V

**ENVIRONMENTAL SPECIFICATIONS:**  
 Operating Temperature: -40°C ~ +105°C

RoHS  
 COMPLIANT



NOTE: REPLACE "X" IN PART NUMBER WITH NUMBER OF POSITIONS

TOLERANCE UNLESS OTHERWISE SPECIFIED	
X	± 1
X.X	± 0.4
X.XX	± 0.13

**Power Dynamics, Inc.**  
 Phone: 973 560-0019 Whippany, New Jersey Fax: 973 560-0076

PART: 3mm PITCH JUMPERS FOR  
 PD-LTB3-XP & PD-LTB6-2P

DRAWN BY: PB	DATE: 3/27/18
CHECK BY:	DATE:
APPR BY:	DATE:

PART #: PD-LJ3-XP		SHEET 1 of 1
MC: B07-1P	ALL DIMENSIONS FOR REFERENCE ONLY DIMENSIONS ARE IN MILLIMETERS	REV:
SCALE: NTS		

REV	DATE	CHANGE	CHK	CHK	APPR

6 | 5 | 4 | 3 | 2 | 1