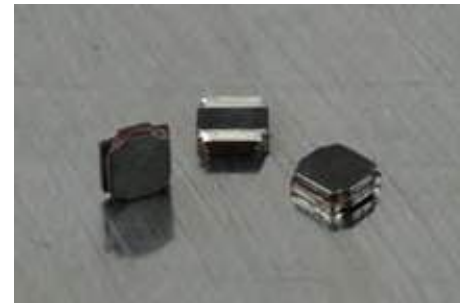
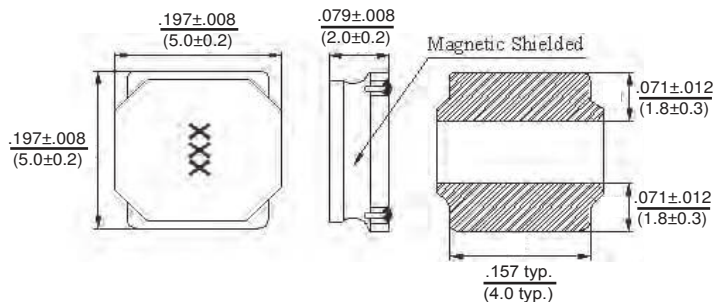




## SMD SHIELDED POWER CHIP INDUCTOR

PCSV52

 Dimensions:  $\frac{\text{Inches}}{\text{(mm)}}$ 


Allied Part Number	Inductance (µh)	Tolerance (%)	Test Freq. Khz, 1V	RDC (mΩ) ±20%	Isat (A) Typ.	Irms (A) Typ.	Marking
PCSV52-1R0T-RC	1.0	30	100	21	5.1	4.0	1R0
PCSV52-1R5T-RC	1.5	30	100	26	4.2	3.5	1R5
PCSV52-2R2T-RC	2.2	30	100	35	3.4	3.2	2R2
PCSV52-3R3M-RC	3.3	20	100	48	3.0	2.8	3R3
PCSV52-4R7M-RC	4.7	20	100	60	2.2	2.2	4R7
PCSV52-6R8M-RC	6.8	20	100	90	2.0	1.8	6R8
PCSV52-100M-RC	10	20	100	120	1.6	1.6	100
PCSV52-150M-RC	15	20	100	190	1.3	1.2	150
PCSV52-220M-RC	22	20	100	260	1.0	1.0	220

All specifications subject to change without notice.

### Features

- Magnetically Shielded Construction
- Ultra Low Profile

### Electrical

**Inductance Range:** 1.0µh ~ 22µh (other values being added)

**Tolerance:** Available in 20% and 30% Tolerance as noted.

**Operating Temp:** -25°C ~ +105°C

**Isat:** Current at which the Inductance will drop by no more than 30% of its initial value.

**Irms:** Based on a temp rise of  $\Delta T = 40^\circ\text{C}$  typical at 25°C Ambient.

### Resistance to Soldering Heat

Pre-Heat 150°C, 1 Min.

**Solder Composition:** Sn/Ag3.0/Cu0.5

**Solder Temp:** 260°C +/- 5°C for 10 sec

### Test Equipment

(L): Agilent/HP4284A + Agilent/HP16334A

(RDC): Chroma MilliOhm Meter Mode 16502

**Current:** Isat: HP4284A + HP42841A

Irms: Agilent 6641 System DC Power Supply

### Physical

**Packaging:** 2000 per Tape and reel

**Marking:** EIA Inductance Code