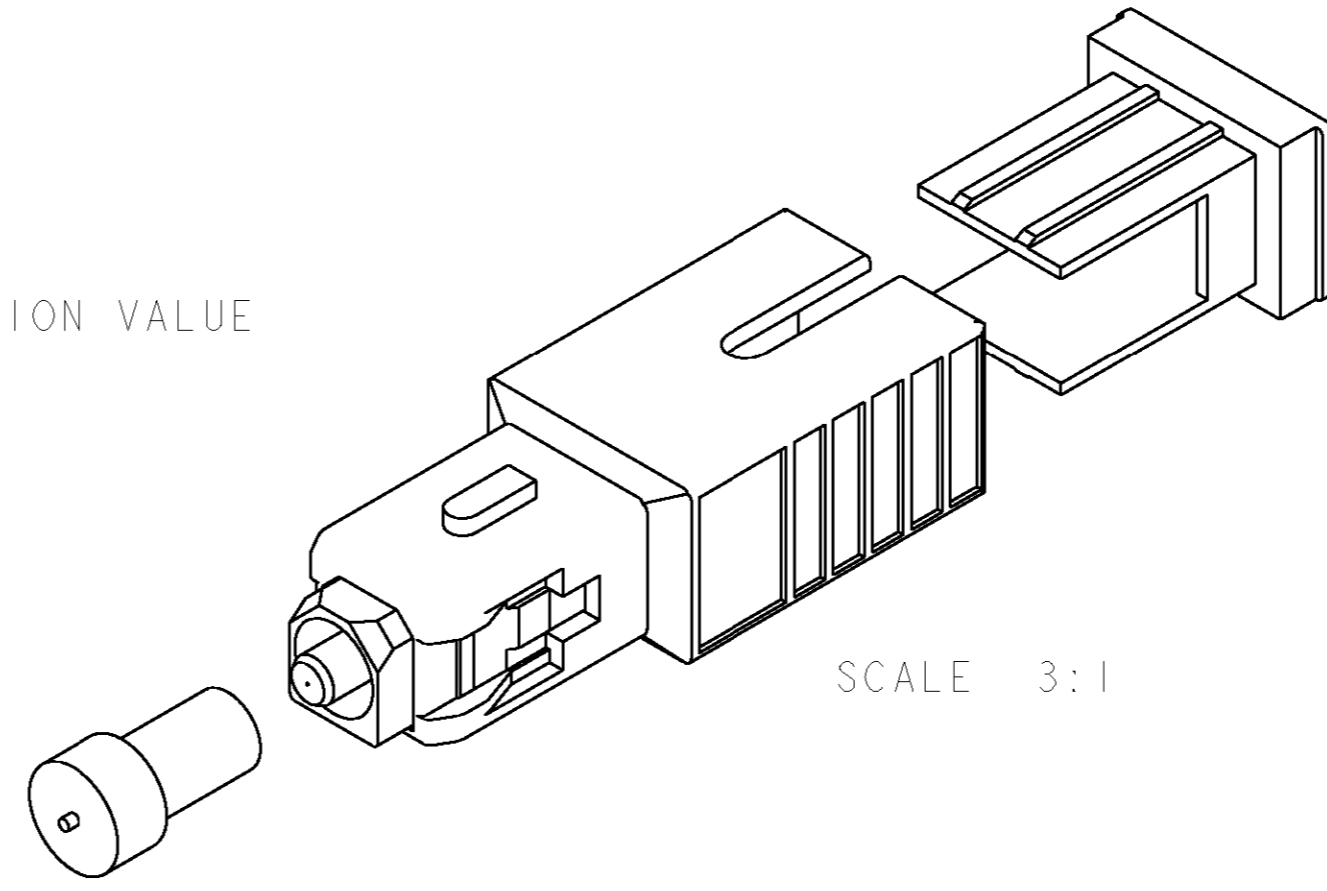


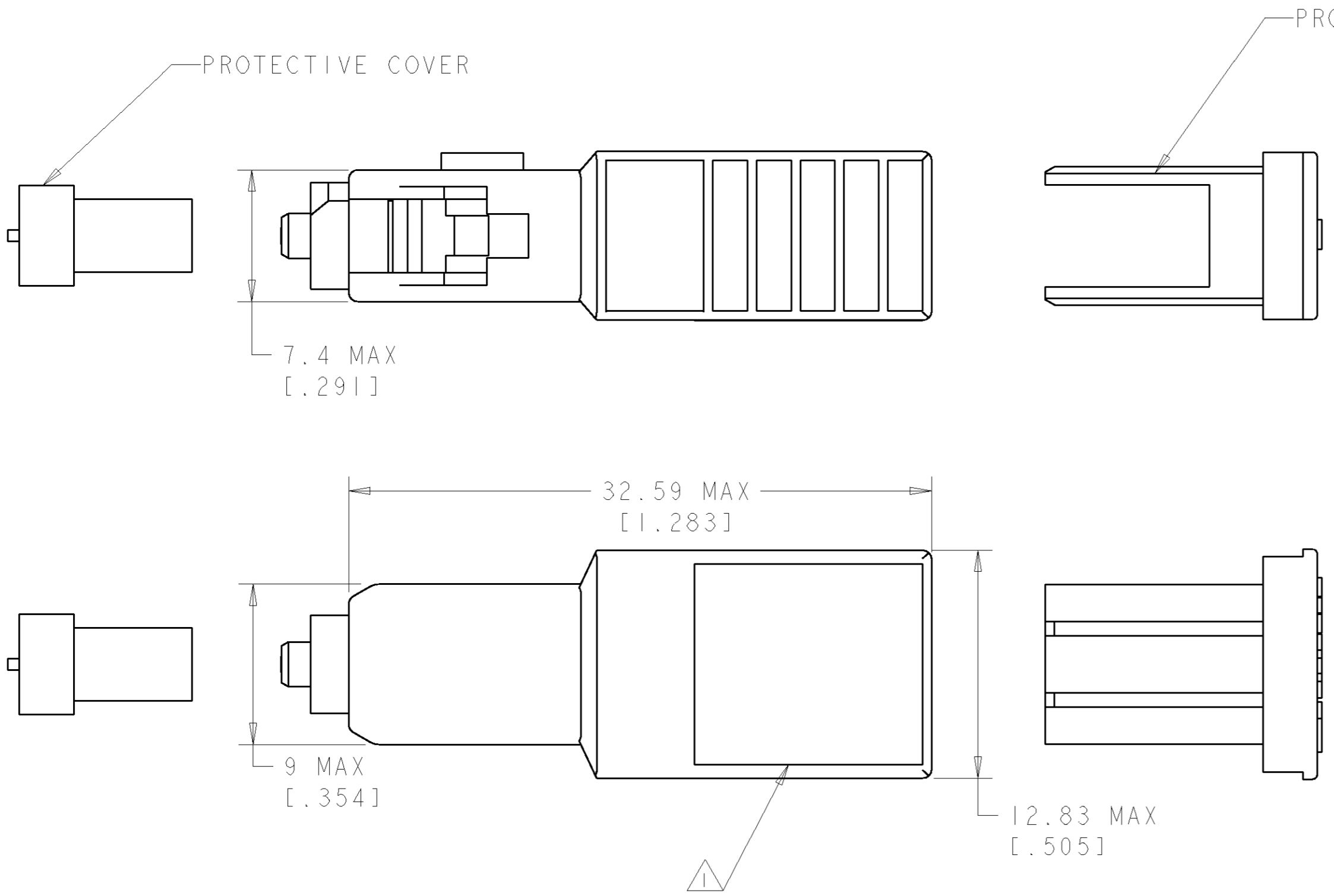
THIS DRAWING IS UNPUBLISHED. RELEASED FOR PUBLICATION 20  
 © COPYRIGHT BY ALL RIGHTS RESERVED.

LOC	DIST	REVISIONS					
CE	00	P	LTR	DESCRIPTION	DATE	DWN	APVD
		B1		REVISED PER ECO-11-005027	29APR11	RK	HMR

PERFORMANCE REQUIREMENTS:  
 OPERATING WAVELENGTH : 1310/1550 ±25nm  
 REFLECTANCE : ≤ -55dB  
 OPERATING TEMPERATURE : -40°C TO +75°C  
 ATTENUATION TOLERANCE, AMBIENT :  
 FOR 0 dB ATTENUATORS : + 0.50dB MAX  
 FOR ATTENUATORS ≤ 5dB : ± 0.50dB  
 FOR ATTENUATORS >5dB : ± 10% OF NOMINAL ATTENUATION VALUE  
 MEASURED WITH REFERENCE QUALITY LAUNCH LEADS



SCALE 3:1



NOMINAL ATTENUATION VALUE (dB)	PART NUMBER
0	9-5209943-9
1	5209943-1
2	5209943-2
3	5209943-3
4	5209943-4
5	5209943-5
6	5209943-6
7	5209943-7
8	5209943-8
9	5209943-9
10	1-5209943-0
11	1-5209943-1
12	1-5209943-2
13	1-5209943-3
14	1-5209943-4
15	1-5209943-5
16	1-5209943-6
17	1-5209943-7
18	1-5209943-8
19	1-5209943-9
20	2-5209943-0
25	2-5209943-5

⚠ TYCO LOGO, ATTENUATION VALUE, PART NUMBER, AND SERIAL NUMBER ARE PRINTED ON THE LABEL.

DIMENSIONS: mm [ INCHES ]  	TOLERANCES UNLESS OTHERWISE SPECIFIED: 0 PLC ± 1 PLC ± 2 PLC ± 3 PLC ± 4 PLC ± ANGLES ± FINISH -	DWN E. HOPKINS 05DEC2005	
		CHK E. HOPKINS 05DEC2005	
MATERIAL -		APVD S. BUCHTER 05DEC2005	NAME ATTENUATOR, FOPC BOA SC/UPC DW SM
		PRODUCT SPEC -	SIZE A2
		APPLICATION SPEC -	CAGE CODE 00779
		WEIGHT -	DRAWING NO. 5209943
		CUSTOMER DRAWING	RESTRICTED TO -
			SCALE 4.   SHEET   OF   REV B1