

4

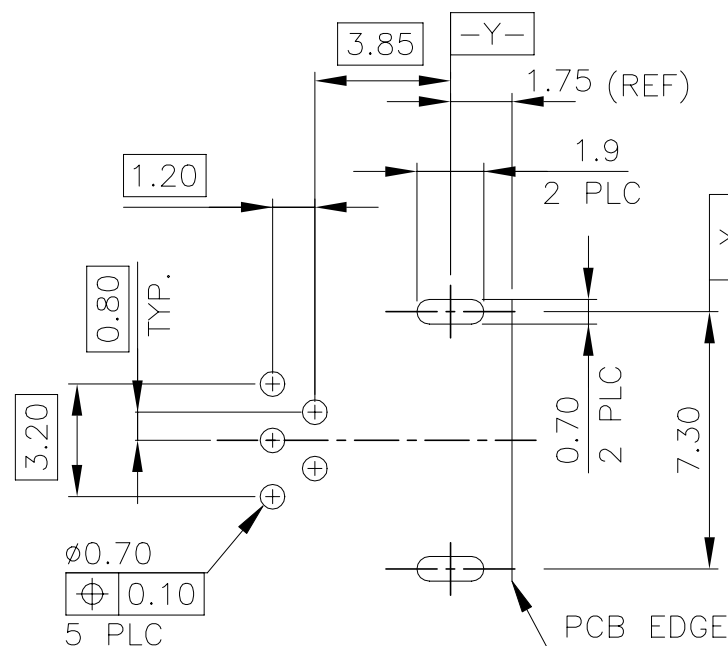
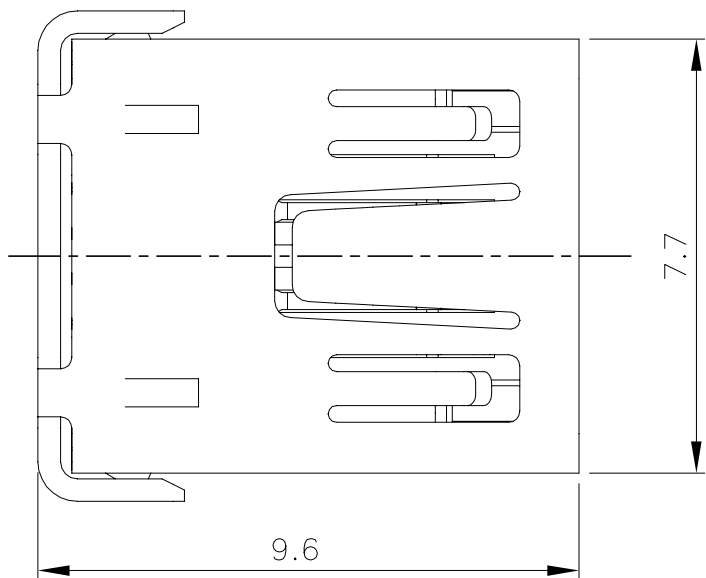
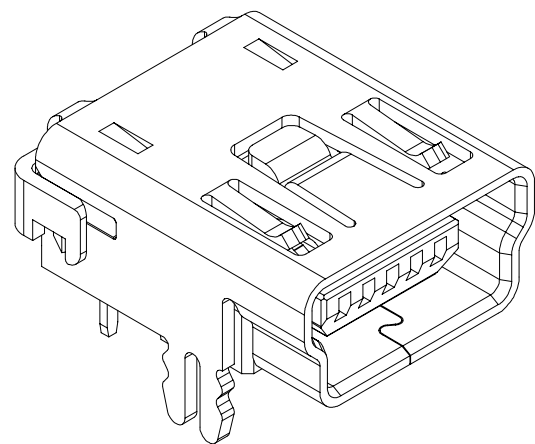
3

2

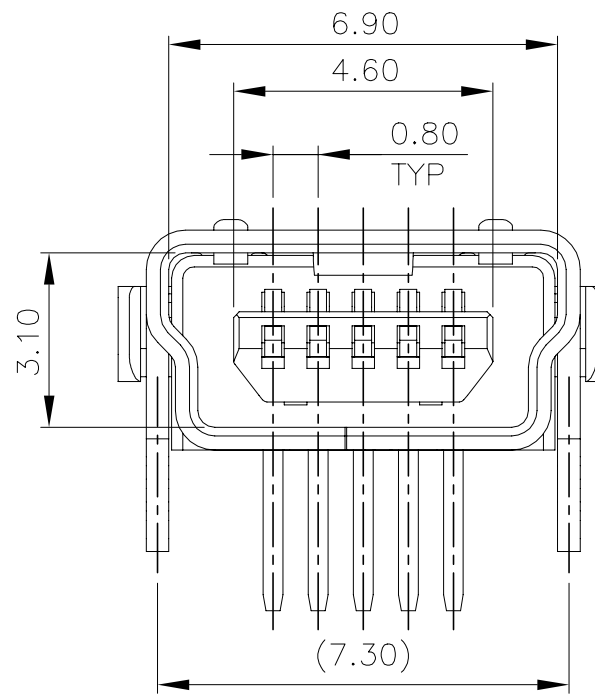
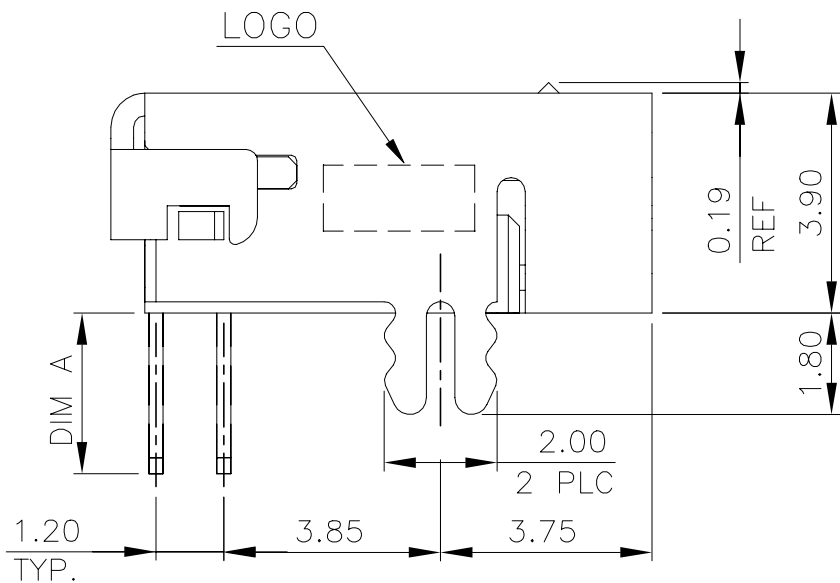
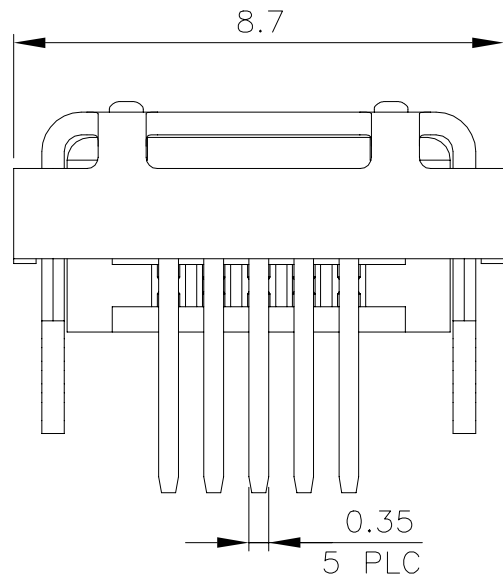
1

THIS DRAWING IS UNPUBLISHED. RELEASED FOR PUBLICATION AUG ,2006.
 © COPYRIGHT BY TYCO ELECTRONICS CORPORATION. ALL RIGHTS RESERVED.

LOC	DIST	REVISIONS			
P	LTR	DESCRIPTION	DATE	DWN	APVD
DW	/				
	D	REVISED AS PER ECN-22-176158	26JUL2022	HS	SZ



RECOMMENDED PCB LAYOUT (THICKNESS: 1.6MM)
 (DIMENSION TOLERANCE: 1 PLC: ±0.1 2PLC: ±0.05)



3.25	⚠	PBT	1-1734510-1
2.55	⚠	PBT	1734510-3
2.85	⚠	PA9T	1734510-2
2.85	⚠	PBT	1734510-1
DIM A	SOLERING PROCESS	HOUSING MATERIAL	PART NUMBER

NOTE:

- MATERIAL:
 HOUSING: (SEE TABLE) WITH 30% GF, UL 94V-0, COLOR BLACK.
 CONTACT: PHOSPHOR BRONZE, THICKNESS: 0.25mm.
 SHIELD: PHOSPHOR BRONZE, THICKNESS: 0.40mm.
- FINISH:
 CONTACT: GOLD FLASH OVER 0.762um [30u"] MIN. PALLADIUM-NICKEL OR ALTERNATIVE 0.762um [30u"] MIN. GOLD PLATED ON CONTACT AREA, 2.54um [100u"] MIN. MATTE TIN PLATED ON SOLDER TAILS, 1.27um [50u"] MIN. NICKEL UNDERPLATED ALL OVER.
 SHIELD: 0.762um [30u"] MIN. MATTE TIN OVER 1.27um [50u"] MIN. Ni. UNDERPLATED ALL OVER.

- ⚠ WAVE SOLDER CAPABLE TO 240°C. PER TE SPEC 109-202, CONDITION A.
- ⚠ WAVE SOLDER CAPABLE TO 265°C PER TE SPEC 109-202, CONDITION B.

THIS DRAWING IS A CONTROLLED DOCUMENT.		DWN S. CHIEN 20JAN2009	TE Connectivity	
		CHK S. CHIEN 20JAN2009		
		APVD W. KODAMA 20JAN2009	NAME	
DIMENSIONS: MM 		PRODUCT SPEC	MINI USB CONN., RCPT R/A, DIP, B TYPE	
TOLERANCES UNLESS OTHERWISE SPECIFIED: 0 PLC ± 0.5 1 PLC ± 0.35 2 PLC ± 0.25 3 PLC ± 0.15 4 PLC ± - ANGLES ± 3°		QUALIFICATION TEST REPORT		
MATERIAL SEE NOTE		FINISH SEE NOTE	501-57070	RESTRICTED TO
		WEIGHT 0.62 GRAMS	SIZE A3	CAGE CODE 00779
		CUSTOMER DRAWING	DRAWING NO. 1734510	REV D
		SCALE -	SHEET 1 OF 2	

4

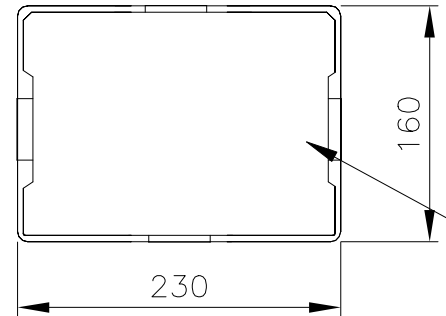
3

2

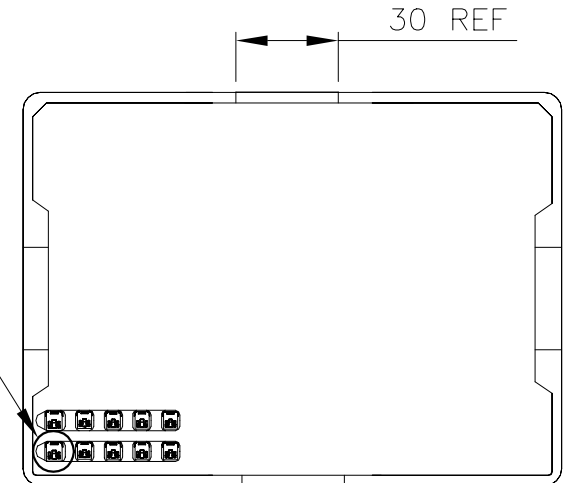
1

THIS DRAWING IS UNPUBLISHED. RELEASED FOR PUBLICATION AUG ,2006.
 © COPYRIGHT BY TYCO ELECTRONICS CORPORATION. ALL RIGHTS RESERVED.

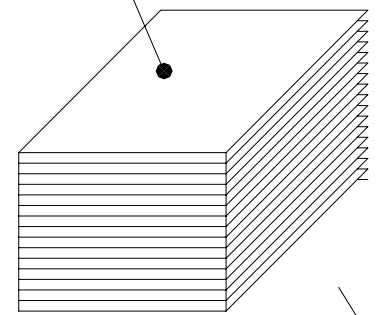
LOC	DIST	REVISIONS			
P	LTR	DESCRIPTION	DATE	DWN	APVD
		SEE SHEET 1.			



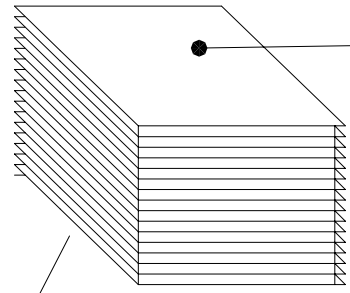
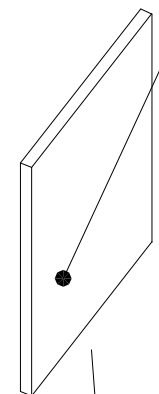
TARY
 TOTAL: 95 PCS.
 NET WEIGHT: 3.50 KGS.



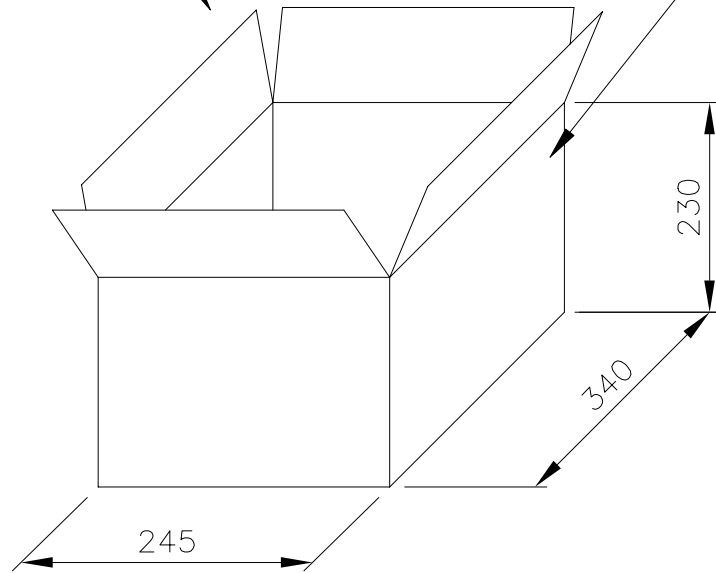
HEIGHT : 8mm



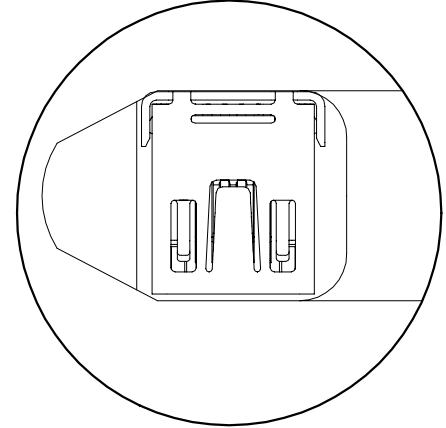
PAPER BOARD



PVC



CARTON
 TOTAL: 4370 PCS.
 GROSS WEIGHT: 6.20 KGS.



THIS DRAWING IS A CONTROLLED DOCUMENT.

DIMENSIONS:	TOLERANCES UNLESS OTHERWISE SPECIFIED:
MM	
	0 PLC ± -
	1 PLC ± -
	2 PLC ± -
	3 PLC ± -
	4 PLC ± -
	ANGLES ± -

MATERIAL FINISH

DWN
CHK
APVD
PRODUCT SPEC
APPLICATION SPEC
WEIGHT
CUSTOMER DRAWING

STE TE Connectivity			
NAME			
MINI USB CONN., RCPT R/A, DIP, B TYPE			
SIZE	CAGE CODE	DRAWING NO	RESTRICTED TO
A3	00779	C=1734510	-
SCALE		SHEET	REV
-		2 OF 2	D