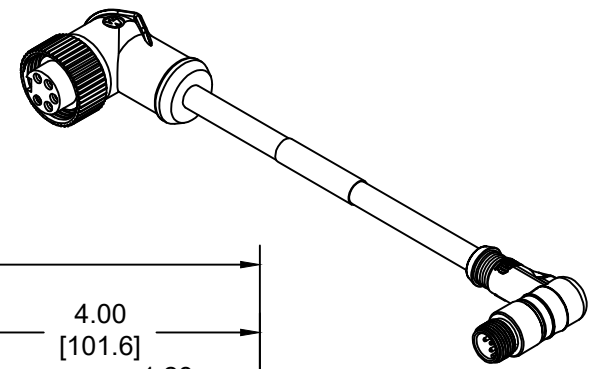


| SAP P/N #  | ENGINEERING P/N | FINISHED LENGTH   |
|------------|-----------------|-------------------|
| 1300390215 | DND93A-M005     | 0.5M [ 1FT 8 IN ] |
| 1300390217 | DND93A-M020     | 2M [ 6FT 7 IN ]   |
| 1300390218 | DND93A-M050     | 5M [ 16FT 5 IN ]  |

**PART NUMBER LEGEND**

**DND93A-M005**  
 LENGTH:  
 M005= 0.5 METER  
 M010= 1 METER  
 M100= 10 METER

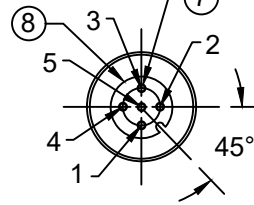
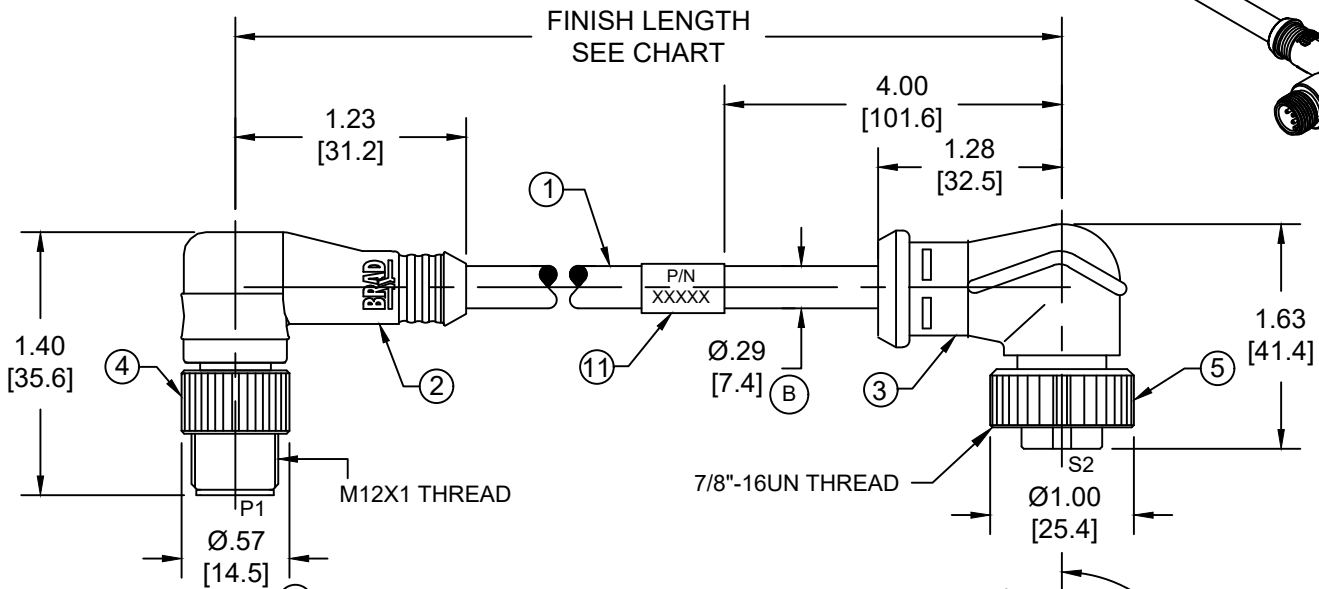


**CABLE LENGTH TOLERANCES**

|  |
|--|
| <.3M [1FT]: +19mm-0 [ +.75in-0]                  |
| .3 - .9M [1 - 3FT]: +44.5mm-0 [+1.75in-0]        |
| .9 - 1.8M [3 - 6FT]: +55.6mm-0 [+2.19in-0]       |
| 1.8 - 3.7M [6 - 12FT]: +88.9mm-0 [+3.50in-0]     |
| 3.7 - 7.3M [12 - 24FT]: +165.1mm-0 [+6.50in-0]   |
| 7.3-14.6M [24 - 48FT]: +317.5mm-0 [+12.50in-0]   |
| 14.6 - 30.5M [48-100FT]: +622.3mm-0 [+24.50in-0] |
| OVER 30M [100FT] +2% OF FINISHED LENGTH          |

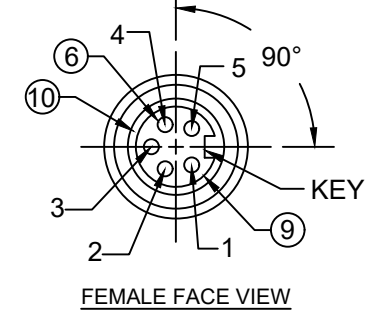
**NOTES:**

- MATERIAL: SEE TABLE
- FINISH: SEE TABLE
- ELECTRICAL:  
VOLTAGE: 250V  
CURRENT: 4A
- TEMP RATING: -20°C TO +80°C
- PROTECTION: IP67 (WHEN MATED)
- UL LISTED FILE: E152210  
CSA CERTIFIED FILE: LR6837
- ALL DIMENSIONS ARE FOR REFERENCE UNLESS TOLERANCED OR NOTED OTHERWISE



**WIRING DIAGRAM**

| P1 |       | S2 |
|----|-------|----|
| 1  | DRAIN | 1  |
| 2  | RED   | 2  |
| 3  | BLACK | 3  |
| 4  | WHITE | 4  |
| 5  | BLUE  | 5  |



| 11   | WRAP LABEL           | VINYL         | BLACK/YELLOW     |
|------|----------------------|---------------|------------------|
| 10   | FRICTION RING        | NYLON         | WHITE            |
| 9    | FEMALE INSERT(MINI)  | TPE           | BLACK            |
| 8    | MALE INSERT(MICRO)   | NYLON         | BLACK            |
| 7    | PIN CONTACT          | COPPER ALLOY  | GOLD OVER NICKEL |
| 6    | SOCKET CONTACT       | COPPER ALLOY  | GOLD OVER NICKEL |
| 5    | COUPLING NUT(MINI)   | ZINC DIE-CAST | BLACK E-COAT     |
| 4    | COUPLING NUT(MICRO)  | ZINC DIE-CAST | BLACK E-COAT     |
| 3    | OVERMOLD(MINI)       | TPC           | GRAY             |
| 2    | OVERMOLD(MICRO)      | TPC           | GRAY             |
| 1    | DEVICENET DROP CABLE | PVC JACKET    | GRAY             |
| ITEM | COMPONENT            | MATERIAL      | FINISH           |

THIS DRAWING CONTAINS INFORMATION THAT IS PROPRIETARY TO MOLEX ELECTRONIC TECHNOLOGIES, LLC AND SHOULD NOT BE USED WITHOUT WRITTEN PERMISSION

**FUNCTIONAL SYMBOLS**  
 $\nabla = 0$   
 $\nabla = 0$   
 $\nabla = 0$

**DIVISIONAL SYMBOLS**  
 4 PLACES ± --- ± ---  
 3 PLACES ± --- ± ---  
 2 PLACES ± --- ± ---  
 1 PLACE ± --- ± ---  
 0 PLACES ± --- ± ---

**GENERAL TOLERANCES (UNLESS SPECIFIED)**

|          | mm    | INCH  |
|----------|-------|-------|
| 4 PLACES | ± --- | ± --- |
| 3 PLACES | ± --- | ± --- |
| 2 PLACES | ± --- | ± --- |
| 1 PLACE  | ± --- | ± --- |
| 0 PLACES | ± --- | ± --- |

ANGULAR TOL ± --- °  
 DRAFT WHERE APPLICABLE MUST REMAIN WITHIN DIMENSIONS

**THIRD ANGLE PROJECTION**

**DRAWING**  
A-SIZE

**SERIES**  
130039

**MATERIAL NUMBER**  
SEE CHART

**CUSTOMER**  
GENERAL MARKET

**SHEET NUMBER**  
1 OF 1

**CURRENT REV DESC:** ITEM-2, 3 & 9 WERE PVC. ADDED ITEM-10, TOL CHART, PN LEGEND, UL, CSA AND CABLE DIA. MODIFIED PN CHART

**EC NO:** 720800  
**DRWN:** ABENJAMINLW 2022/07/28  
**CHK'D:** RSTONE 2022/09/09  
**APPR:** BWOODMAN 2022/09/09

**INITIAL REVISION:**  
**DRWN:** TWOLDEGE 2010/01/11  
**APPR:** JFMURPHY 2010/01/20

**DOCUMENT NUMBER**  
SD-130039-025

**DOC TYPE**  
PSD

**DOC PART**  
001

**REVISION**  
B

**molex**

MINI-MICRO CHANGE DEVICENET, A-SIZE-M12,  
 5 POLE, FEMALE 90DEG - MALE 90DEG,  
 SINGLE KEY, #22/4 AWG

**PRODUCT CUSTOMER DRAWING**

|                 |    |              |            |          |
|-----------------|----|--------------|------------|----------|
| DOCUMENT STATUS | P1 | RELEASE DATE | 2022/09/09 | 18:08:09 |
|-----------------|----|--------------|------------|----------|