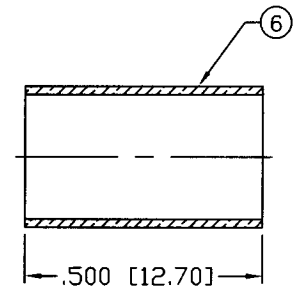
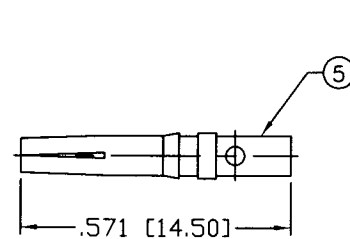
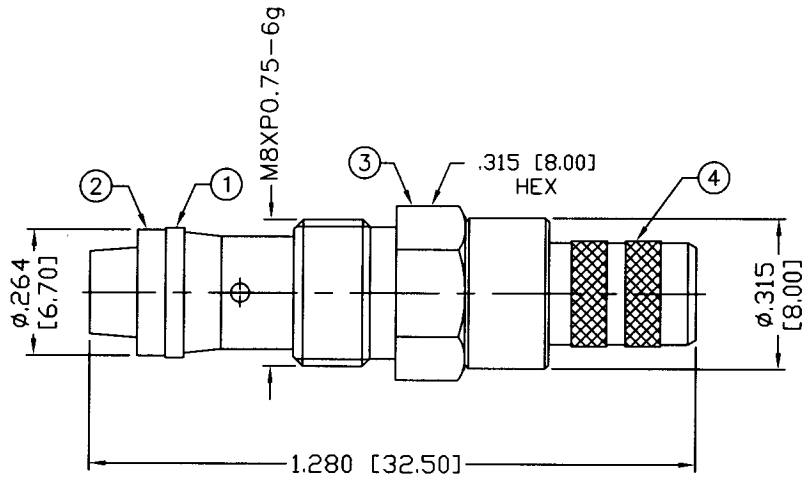


THIS DRAWING CONTAINS INFORMATION PROPRIETARY TO RF INDUSTRIES.  
 ANY UNAUTHORIZED USE OF THIS DRAWING IS EXPRESSLY PROHIBITED  
 WITHOUT WRITTEN PERMISSION FROM RF INDUSTRIES.  
 ANY VIOLATION IS PUNISHABLE UNDER U.S. COPYRIGHT LAWS.

ALL DIMENSIONS ARE REFERENCE ONLY

PART NO.		<b>RFE-6050-X</b>		
REV	DESCRIPTION	DWN	DATE	APPROVED
-	ENGINEERING RELEASE	CZS	6/30/01	JDMc

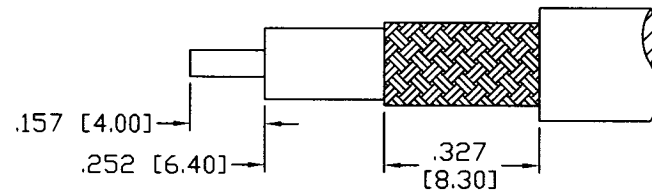


RECOMMENDED CRIMP DIE: .068"

RECOMMENDED CRIMP DIE: .255"

**SPECIFICATIONS:**

IMPEDANCE: 50 Ohms  
 FREQUENCY RANGE: 0-2 GHz  
 WORKING VOLTAGE: 335 Vrms  
 INSULATION RESISTANCE: 5k M ohms min.  
 TEMPERATURE RANGE: -65°C TO +85°C  
 FOR RG-8/X, BELDEN 9258, MAXRAD M8X-100 &  
 M8X-1000, MICRO 8/U, REMEE 1600, SAXTON 8315 &  
 TIMES LMR-240 & LMR-240 ULTRAFLEX CABLE



RECOMMENDED STRIPPING DIMENSIONS

1	BODY	1	BRASS	NICKEL, 100 μ"	008974	
2	INSULATOR	1	PTFE	---		
3	HEX NUT	1	BRASS	NICKEL, 100 μ"		
4	FERRULE STUD	1	BRASS	NICKEL, 100 μ"		
5	CONTACT	1	PHOS BRONZE	GOLD, 3 μ"		
6	FERRULE	1	BRASS	NICKEL, 100 μ"		
7						
8						
9						
10						
11						
12						
13						
14						
#	DESCRIPTION	QTY	MATERIAL	FINISH	APPROVALS	DATE

DRAWN  
C. ZUNIGA  
06/10/05  
CHECKED  
*[Signature]*  
06/10/05  
ORJ DRAWN  
C. ZUNIGA  
06/10/05

UNLESS OTHERWISE SPECIFIED:  
  
 DIMENSIONS ARE IN INCHES AND [MILLIMETERS]  
 UNLESS OTHERWISE NOTED  
 TOLERANCES ARE:  
 DECIMALS      DIAMETER

**RF connectors**  
 DIVISION OF RF INDUSTRIES, LTD.  
 7610 MIRAMAR RD  
 SAN DIEGO, CA 92126  
 (858) 549-6340  
 (858) 549-6345 FAX

**FME JACK, CRIMP**

SIZE A	CABLE GROUP X	DWG NO. RFE-6050-X	REV -
SCALE: NTS	CAD FILE OUTLINE	SHEET 1 OF 1	