

Microphone coupon board based on the MP23DB01HP digital MEMS microphone



Features

- 4 x MP23DB01HP bottom port digital MEMS microphones
- Multi performance mode (Low Power, High Performance)
- PDM single-bit output
- Vsupply from 1.6 to 3.6 V
- 135 dB SPL Acoustic Overload Point
- 65 dB of SNR in Performance mode
- Sensitivity -41 dBFs \pm 1 dB (in Performance mode) and -24 dBFs \pm 1 dB (in Low Power mode)
- RoHS and WEEE compliant

Description

The STEVAL-MIC006V1 is a daughterboard containing 4 MP23DB01HP digital MEMS microphones.

The STEVAL-MIC006V1 can be used with X-NUCLEO-CCA02M2.

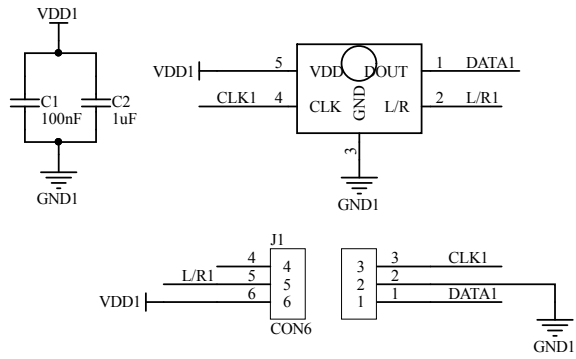
The coupon concept allows easy performance testing of ST MEMS microphones. It is possible to detach the single PCBs hosting each microphone.

Summary table

Microphone coupon board based on the MP23DB01HP digital MEMS microphone	STEVAL-MIC006V1
MEMS Multi performance mode digital microphone with same sensitivity value for each operative mode	MP23DB01HP
Digital MEMS microphone expansion board based on MP34DT06J for STM32 Nucleo	X-NUCLEO-CCA02M2

1 Schematic diagram

Figure 1. STEVAL-MIC006V1 board schematic



Revision history

Table 1. Document revision history

Date	Version	Changes
10-Mar-2020	1	Initial release.
08-Jun-2020	2	Updated features.

IMPORTANT NOTICE – PLEASE READ CAREFULLY

STMicroelectronics NV and its subsidiaries (“ST”) reserve the right to make changes, corrections, enhancements, modifications, and improvements to ST products and/or to this document at any time without notice. Purchasers should obtain the latest relevant information on ST products before placing orders. ST products are sold pursuant to ST’s terms and conditions of sale in place at the time of order acknowledgement.

Purchasers are solely responsible for the choice, selection, and use of ST products and ST assumes no liability for application assistance or the design of Purchasers’ products.

No license, express or implied, to any intellectual property right is granted by ST herein.

Resale of ST products with provisions different from the information set forth herein shall void any warranty granted by ST for such product.

ST and the ST logo are trademarks of ST. For additional information about ST trademarks, please refer to www.st.com/trademarks. All other product or service names are the property of their respective owners.

Information in this document supersedes and replaces information previously supplied in any prior versions of this document.

© 2020 STMicroelectronics – All rights reserved