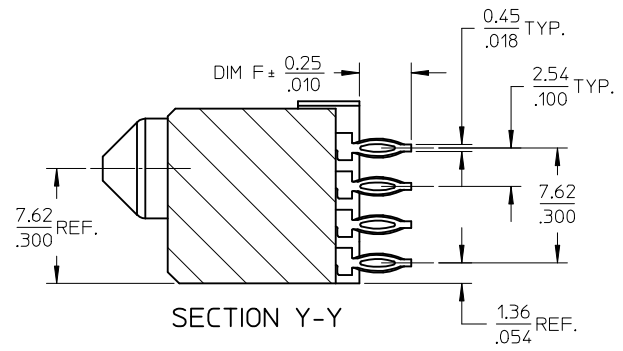
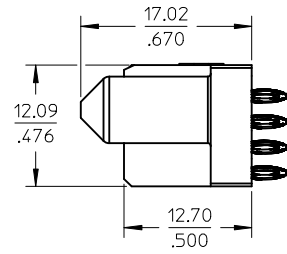
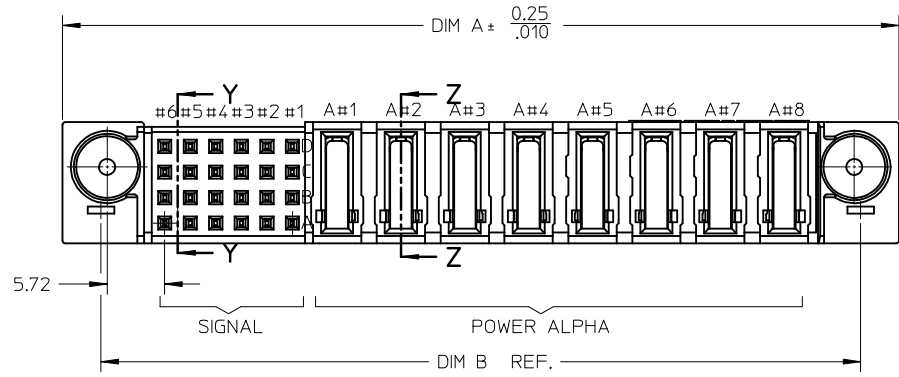
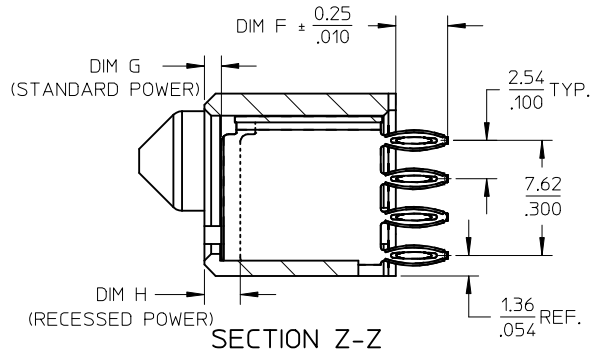


ISOMETRIC VIEW



SECTION Y-Y



SECTION Z-Z

REVISED	EC NO: S2014-0060	DESCRIPTION
	2013/07/16 DRW:SKANG	
	2013/09/06 CHKD:MLONG	
	2013/09/09 APPR:MLONG	
D1	REV	

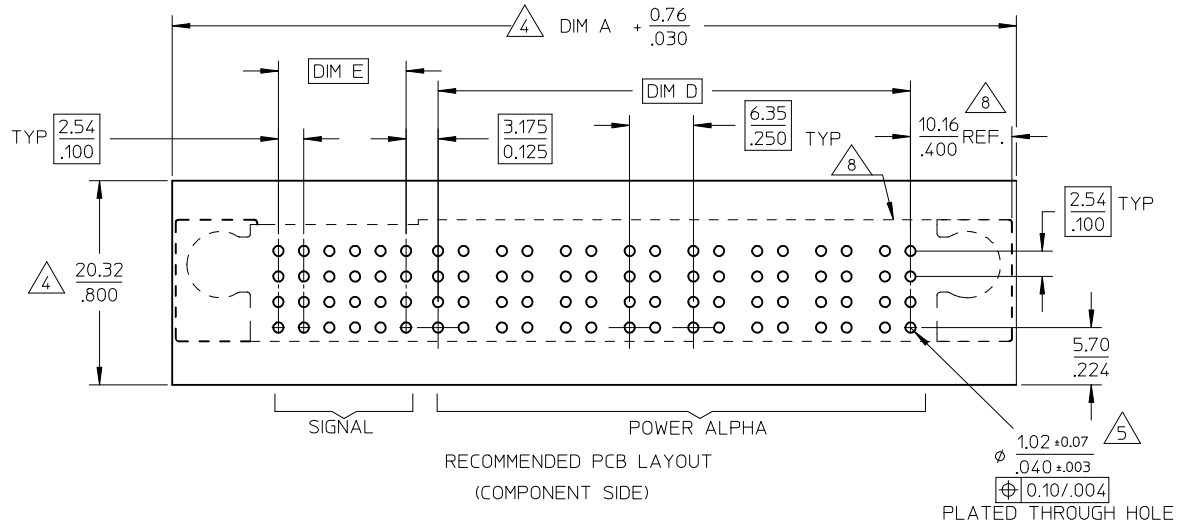
QUALITY SYMBOLS
$F_A=0$
$F_C=0$
$F_P=0$

GENERAL TOLERANCES (UNLESS SPECIFIED)	
	mm INCH
4 PLACES	± --- ± ---
3 PLACES	± --- ± ---
2 PLACES	± 0.13 ± ---
1 PLACE	± 0.25 ± ---
0 PLACE	± ±
ANGULAR ± 3 °	
DRAFT WHERE APPLICABLE MUST REMAIN WITHIN DIMENSIONS	

DIMENSION STYLE	
MM/IN	
DRAWN BY	DATE
CMGOH	2002/11/18
CHECKED BY	DATE
PTLIM	2002/11/21
APPROVED BY	DATE
SKTOH	2002/11/21
MATERIAL NO.	
SEE TABLE	

SCALE	DESIGN UNITS	THIRD ANGLE PROJECTION
NTS	METRIC	
TITLE		
POWER CONN. RECEPTACLE P(A)-S CONFIGURATION VERTICAL PRESS-FIT		
molex		
DOCUMENT NO.	SHEET NO.	
SD-87697-011	1 OF 2	
THIS DRAWING CONTAINS INFORMATION THAT IS PROPRIETARY TO MOLEX INCORPORATED AND SHOULD NOT BE USED WITHOUT WRITTEN PERMISSION		

PART NUMBER	P-S CONFIGURATION		RECESS POWER CIRCUIT #	DIM A	DIM B	DIM C	DIM D	DIM E	DIM F ±0.25	DIM G	DIM H	PACKAGING
	POWER ALPHA	SIGNAL										
87697-2001	8	24	A#5,A#6,A#7,A#8	83.18 3.275	75.57 2.975	74.29 2.925	46.99 1.850	12.70 .500	3.43 .135	1.12 .044	2.39 .094	TRAY
87697-2002	4	24	NIL	57.78 2.275	50.17 1.975	48.89 1.925	21.59 .850	12.70 .500	3.43 .135	1.12 .044	2.39 .094	TRAY



CONNECTOR - NOTES

1. MATERIALS :

- HOUSING - HIGH TEMPERATURE THERMO-PLASTIC,
GLASS FILLED, UL94-0,COLOR:BLACK.
- SIGNAL PIN - COPPER ALLOY
- POWER PIN - COPPER ALLOY

2. FINISH :

- SIGNAL & POWER CONTACTS
- 0.76 MICROMETER MINIMUM GOLD (Au) AT CONTACT AREA AND
- 2.54 MICROMETER MINIMUM TIN (Sn) AT SOLDERTAIL AREA
- OVER 1.27um MIN. NICKEL (Ni) UNDERPLATE.

3. PRODUCT SPECIFICATION: PS-87633-006.

- 4. COMPONENT STAY AWAY ZONE FROM CONNECTOR.
- 5. PCB NOTE FOR DIAMETER 1.02/0.40 PLATED HOLE.
 - DRILLED HOLE SIZE IS 1.151/0.453
 - PLATE WITH 0.007/0.003 MINIMUM TIN OVER 0.03/0.01
 - TO 0.08/0.003 COPPER PLATING TO ACHIEVE 1.02±0.08/0.40±.003 HOLE.
 - SEE SHEET 2 FOR RECOMMENDED PCB LAYOUT.
- 6. MANUFACTURER LOGO,PART NUMBER AND YEAR-WEEK CODE.
- 7. 8 POWER ALHPA-24 SIGNAL CONFIGURATION IS SHOWN FOR ILLUSTRATION.
- 8. IMAGINARY LINE & DIMENSION TO POSITION AND PROVIDE CONNECTOR ORIENTATION WITH RESPECT TO PCB LAYOUT.

REVISED	EC NO: S2014-0060	DRWN:SKANG 2013/07/16	CHKD:MLONG 2013/09/06	APPR:MLONG 2013/09/09	DESCRIPTION	QUALITY SYMBOLS	GENERAL TOLERANCES (UNLESS SPECIFIED)		DIMENSION STYLE		SCALE	DESIGN UNITS	THIRD ANGLE PROJECTION		
							mm	INCH	MM/IN	NTS	METRIC				
D1						$F_{\Delta} = 0$ $F_{\nabla} = 0$ $F_{\square} = 0$	4 PLACES	± ---	± ---	DRAWN BY	DATE	TITLE	POWER CONN. RECEPTACLE P(A)-S CONFIGURATION VERTICAL PRESS-FIT		SHEET NO.
							3 PLACES	± ---	± ---	KMGOH	2002/11/18				
							2 PLACES	± 0.13	± ---	CHECKED BY	DATE				
							1 PLACE	± 0.25	± ---	PTLIM	2002/11/21				
							0 PLACE	±	±	APPROVED BY	DATE				
							ANGULAR ± 3 °								
							DRAFT WHERE APPLICABLE MUST REMAIN WITHIN DIMENSIONS		SEE TABLE			SD-87697-011		2 OF 2	
									SIZE A3	THIS DRAWING CONTAINS INFORMATION THAT IS PROPRIETARY TO MOLEX INCORPORATED AND SHOULD NOT BE USED WITHOUT WRITTEN PERMISSION					