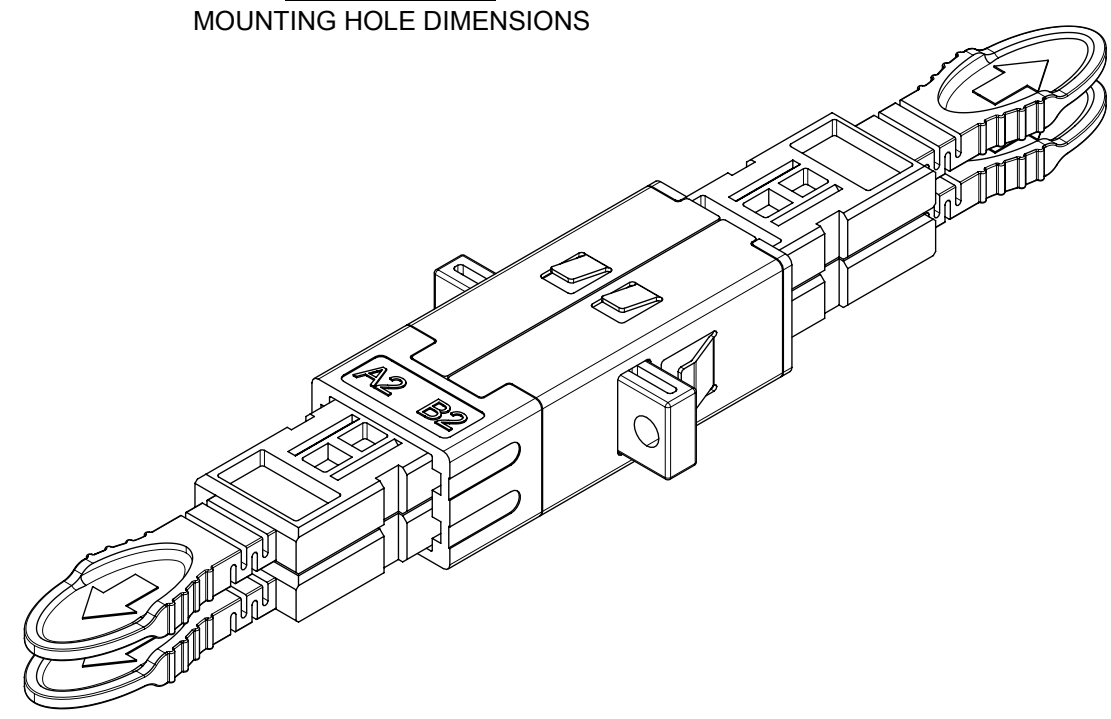
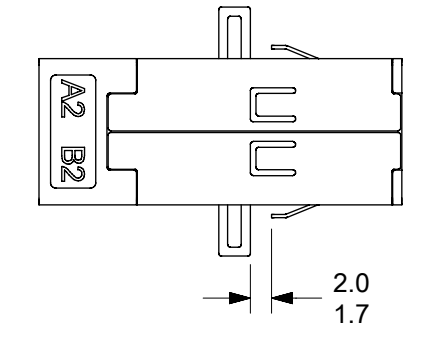


RECOMMENDED MOUNTING HOLE DIMENSIONS



FUNCTIONAL SYMBOLS	THIS DRAWING CONTAINS INFORMATION THAT IS PROPRIETARY TO MOLEX ELECTRONIC TECHNOLOGIES, LLC AND SHOULD NOT BE USED WITHOUT WRITTEN PERMISSION		CURRENT REV DESC:		<b>molex</b>			
	mm	NTS						
	GENERAL TOLERANCES (UNLESS SPECIFIED)							
	ANGULAR TOL ± °							
DIVISIONAL SYMBOLS	4 PLACES	±	EC NO: 658650	2021/03/19	SN 2CH (4F) ADAPTER, SC FOOTPRINT, WITH FLANGE, WITH RATTLE-FREE WINGS			
	3 PLACES	±	DRWN: JHUANG18	2021/03/22				
	2 PLACES	± 0.1	CHK'D: IGUMIN	2021/03/22				
	1 PLACE	± 0.2	APPR: IGUMIN					
0 PLACES	±	INITIAL REVISION:			PRODUCT CUSTOMER DRAWING			
DRAFT WHERE APPLICABLE MUST REMAIN WITHIN DIMENSIONS		THIRD ANGLE PROJECTION	DRAWING	SERIES	DOCUMENT NUMBER	DOC TYPE	DOC PART	REVISION
			B-SIZE	106200	1062000202	PSD	000	A1
					MATERIAL NUMBER	CUSTOMER		SHEET NUMBER
					1062000202			1 OF 1