

B.3: Validé

Shell are compliant for use with modules polarization N, A, B, C, D

Technical Characteristics

Material & finishes

- Shell : Composite nickel plated
- Keying colour coding plate : Composite
- Sealing gasket : Silicone elastomer
- Nut plate : Stainless steel

Electrical

- Housing (shell) electrical continuity : < 3mΩ
- Shielding effectiveness : > 50dB attenuation from 100 to 1 000 MHz

Climatic

- Operating temperature range : -55°C to +175°C
- Salt spray (corrosion) : 500 hrs

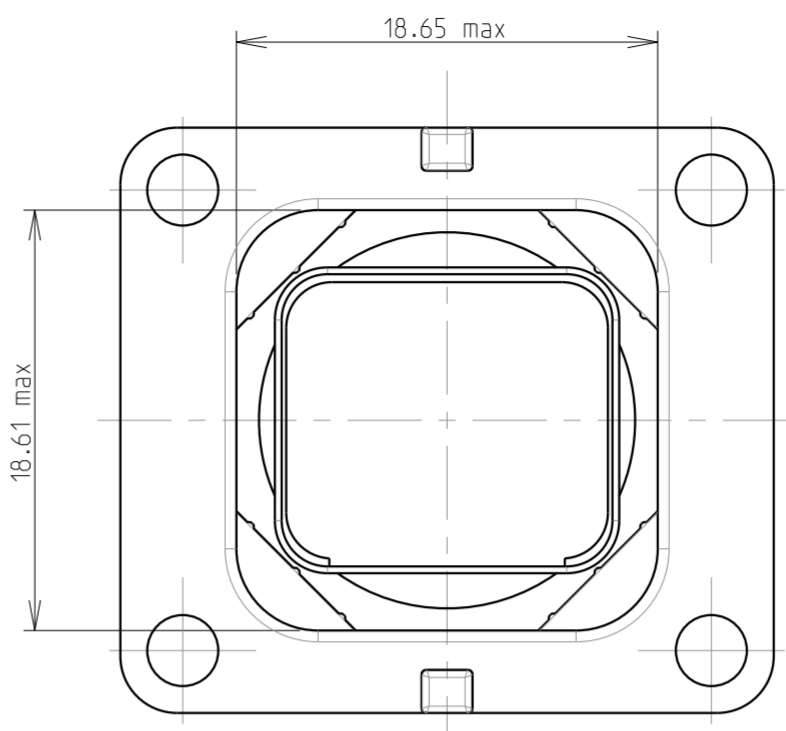
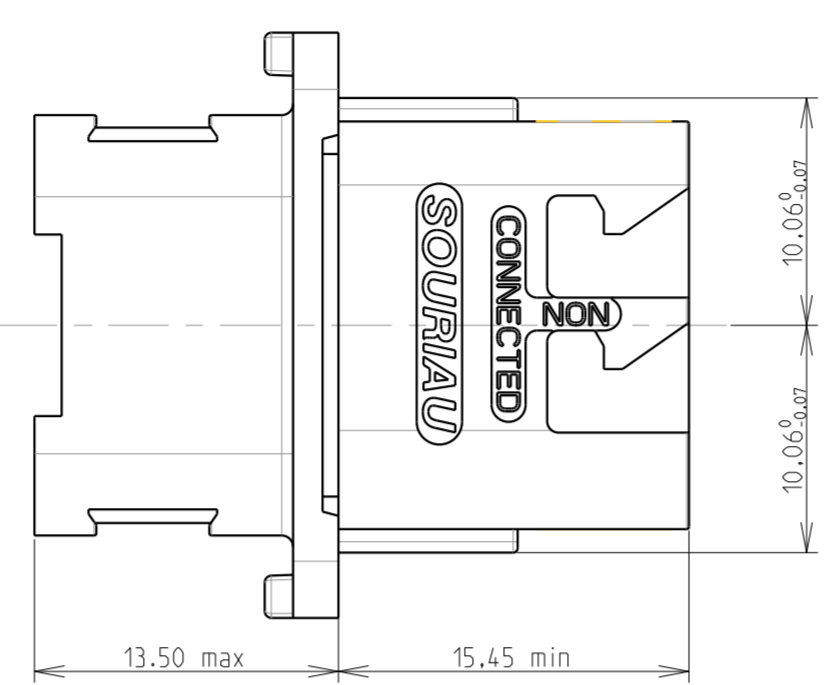
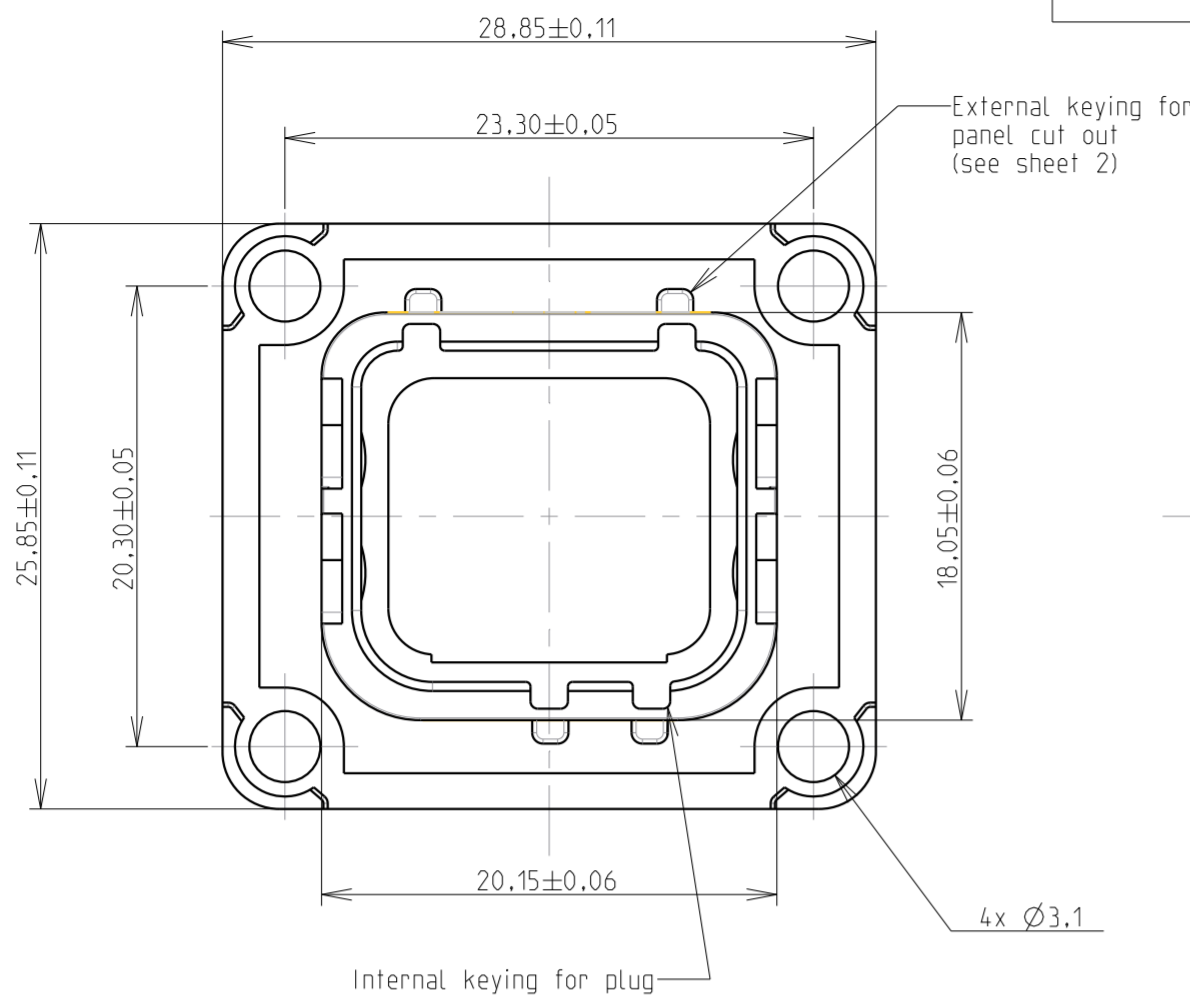
Mechanical

- Compliant EN4165 - BACC65 - ARINC 809
- Mating/Unmating: 500 operations
- Delivered with protective cap

Environmental

- RoHS and REACH compliant
- Fluid resistance : See standard EN 4165-001 (table 40)

Part	MASS (g)
Receptacle	7.5 maxi
Keying colour coding plate	1.2 maxi
Sealing gasket	0.8 maxi
Nut plate	1.0 maxi



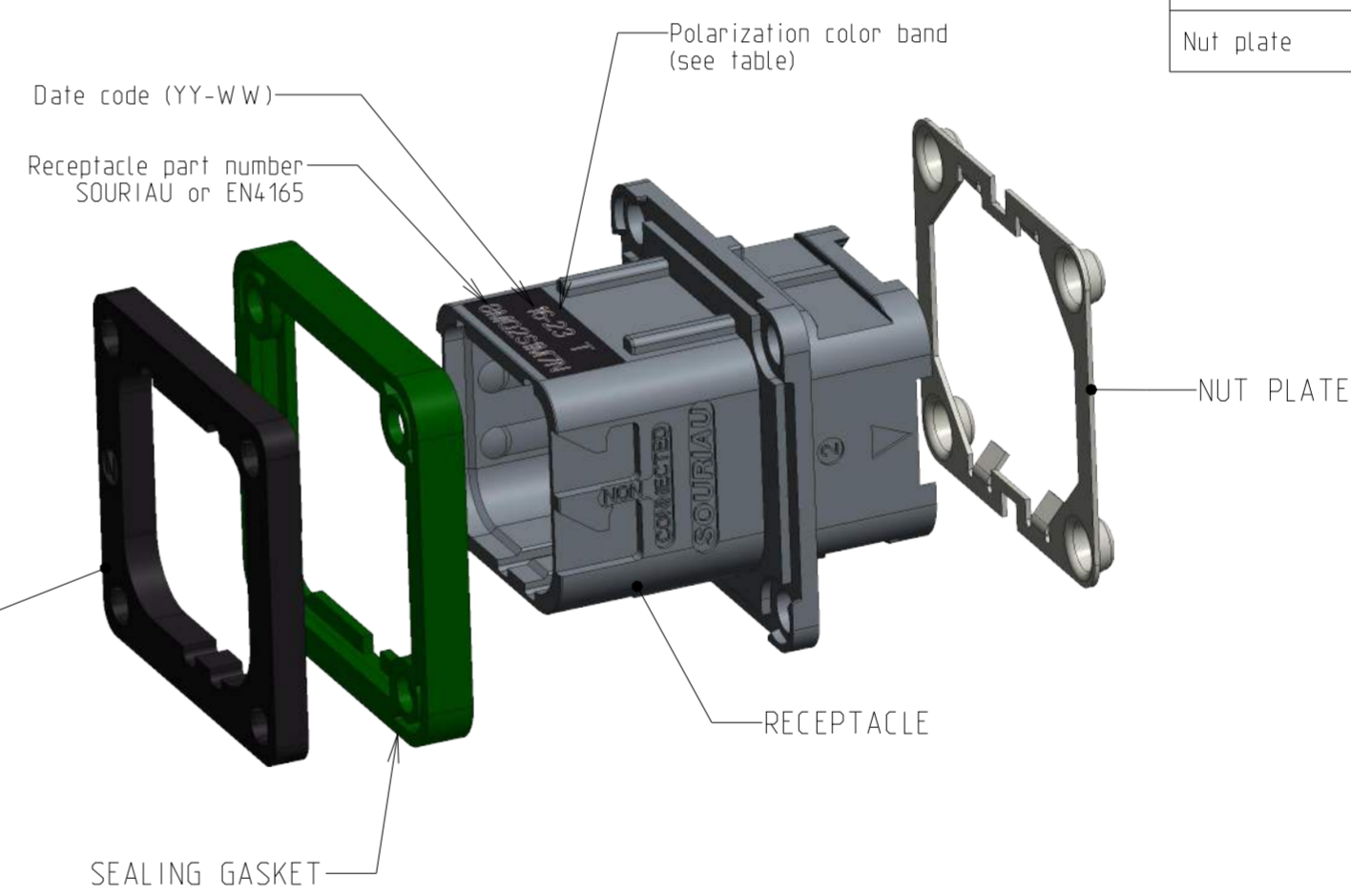
EN4165 PART NUMBER TABLE									
Marking on receptacle							Only for ordering		
Range :	EN4165	M	7	1	A	N	0	U	0
Plating :	M - Composite nickel plated								
Shell Type :	7 - Long receptacle								
Module Quantity :	1 - Mono module								
Serie :	2 - Serie 2								
Polarization :	N, A, B, C, D, E, F, G								
Option for coding color plate	0 : Delivered without keying colour coding plate 1 : Delivered with keying colour coding plate								
Option for sealing gasket	U : Delivered without sealing gasket G : Delivered with sealing gasket								
Option for nut plate	0 : Delivered without nut plate 1 : Delivered with nut plate								

SOURIAU PART NUMBER TABLE										
Marking on receptacle							Only for ordering			
Range :	8MQ	2	S	1	M	7	N	0	U	0
Serie :	2 - Serie 2									
Type of component :	S - Shell									
Module Quantity :	1 - Mono module									
Plating :	M - Composite nickel plated									
Shell Type :	7 - Long receptacle									
Polarization :	N, A, B, C, D, E, F, G									
Option for coding color plate	0 : Delivered without keying colour coding plate 1 : Delivered with keying colour coding plate									
Option for sealing gasket	U : Delivered without sealing gasket G : Delivered with sealing gasket									
Option for nut plate	0 : Delivered without nut plate 1 : Delivered with nut plate									

View of "N" polarization

SCALE 2/1

KEYING COLOUR CODING PLATE (see table for polarization colour)



	POLARIZATION	Colour
Polarization colour table	N	Black
	A	Red
	B	Blue
	C	Green
	D	Yellow
	E	Pink
	F	Grey

P/N : SEE PART NUMBER TABLE

B	21/05/19	drawing update for EN4165 creation receptacle	24230AB
ISS	DATE	Latest modification - by: E.FOREST	MOD N°
Designed by: H.SIMIER		Date:20/09/16	CUSTOMER DRAWING
TITLE		RECEPTACLE 8MQ TYPE 7 BASIC SERIE 8MQ - Based on EN4165/BACC65BV/ARINC 809	
Scale	3/1	Dimensions in mm General Linear Tolerances: ±	NPRDS / PROJECT BE133702A
www.souriau.com		This document is the property of SOURIAU It must not be reproduced or communicated without permission	

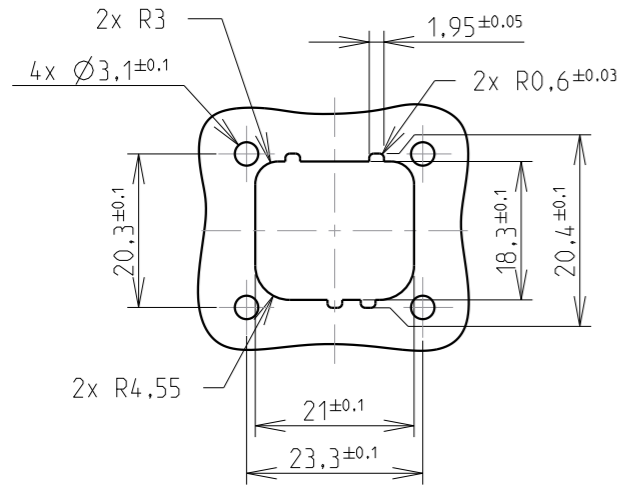
Country	Jurisdiction & Control List
FR	NOT LISTED

SOURIAU shall not be liable for any non-conformity or damage due to a use of the Products which does not comply with the Specifications issued by either of the Parties or by a third party (professional recommendation, technical notice.)

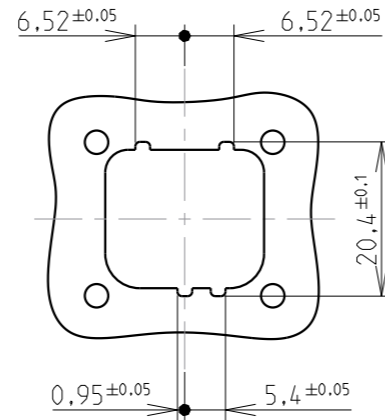
FORMAT	A2	SOURIAU DRG N°	C004-8MQ-A	SHEET	1 / 2
--------	----	----------------	------------	-------	-------

PANEL CUT-OUT

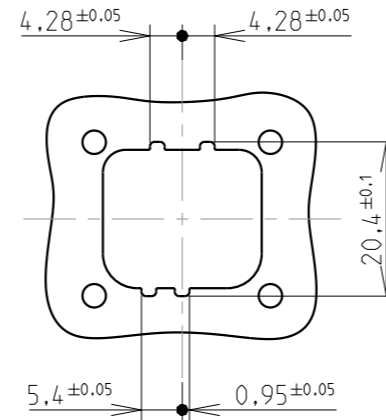
Panel cut out general dimensions



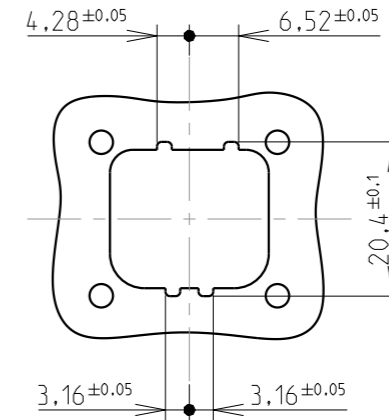
Polarization N



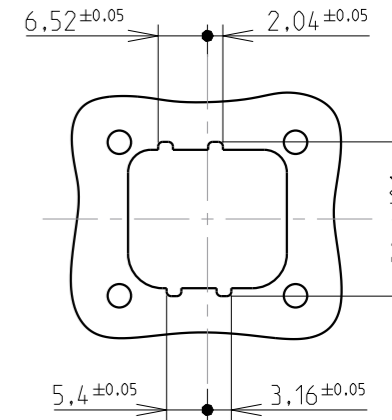
Polarization A



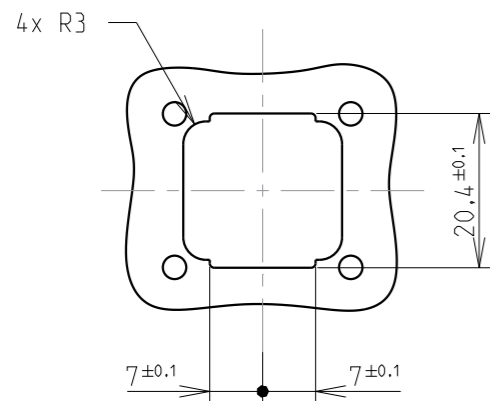
Polarization B



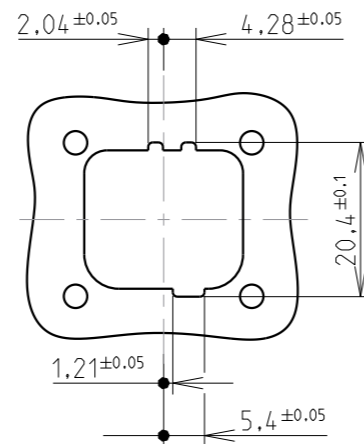
Polarization C



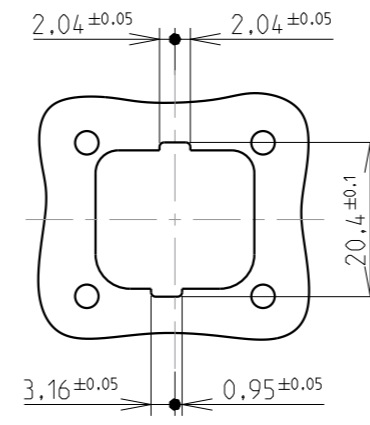
Free mounting cut out dimensions



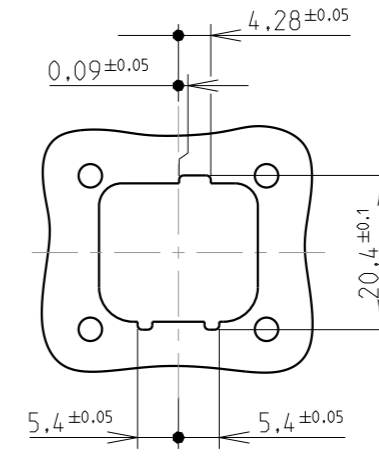
Polarization D



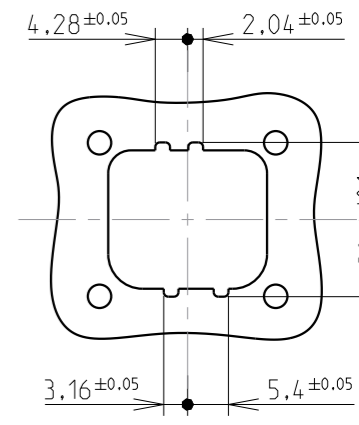
Polarization E



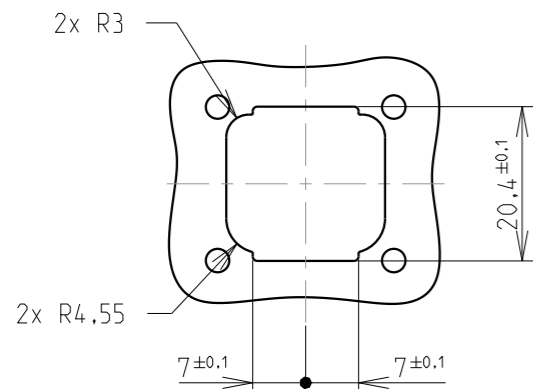
Polarization F



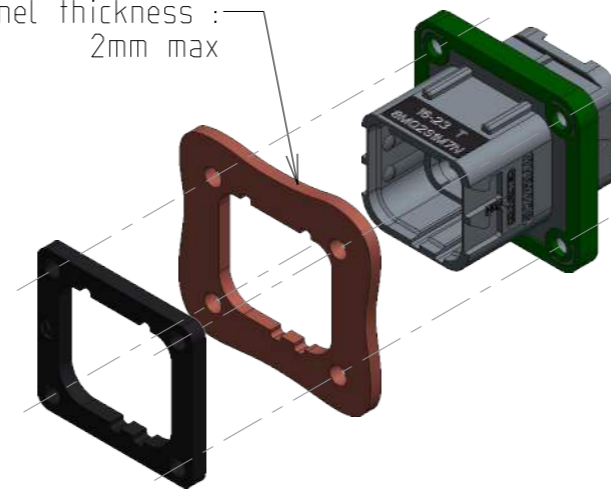
Polarization G



Oriented panel cut out dimensions



Panel thickness :
2mm max



P/N : SEE PART NUMBER TABLE

B	20/09/16	drawing update for EN4165 creation receptacle Add marking and codification EN4165 version		--
ISS	DATE	Latest modification - by: H.SIMIER		MOD N°
Designed by:		H.SIMIER	Date:20/09/16	CUSTOMER DRAWING
TITLE		RECEPTACLE 8MQ TYPE 7 BASIC SERIE 8MQ - Based on EN4165/BACC65BV/ARINC 809		
Scale	1/1	General linear Tolerances: ± 0.1	NPRDS / PROJECT BE133702A	
		WWW.SOURIAU.COM		This document is the property of SOURIAU It must not be reproduced or communicated without permission
FORMAT	A3	SOURIAU DRG N° C004-8MQ-A		SHEET 2 / 2

Country	Jurisdiction & Control List
FR	NOT LISTED

SOURIAU shall not be liable for any non-conformity or damage due to a use of the Products which does not comply with the Specifications issued by either of the Parties or by a third party (professional recommendation, technical notice.)

B.3: Validé