

# QPD P 4PE2,5 9-16 BKBK - Connector



1417718

<https://www.phoenixcontact.com/us/products/1417718>

Please be informed that the data shown in this PDF document is generated from our online catalog. Please find the complete data in the user documentation. Our general terms of use for downloads are valid.



Connector, QUICKON connection, number of positions: 4+PE, 1 mm<sup>2</sup> ... 2.5 mm<sup>2</sup>, 690 V, 20 A, black, with QUICKON nut, external cable diameter: 9 mm ... 16 mm

## Commercial data

Item number	1417718
Packing unit	1 pc
Minimum order quantity	1 pc
Sales key	BF50
Product key	BF6BCB
GTIN	4055626123301
Weight per piece (including packing)	72.9 g
Weight per piece (excluding packing)	72 g
Customs tariff number	85366990
Country of origin	PL

# QPD P 4PE2,5 9-16 BKBK - Connector



1417718

<https://www.phoenixcontact.com/us/products/1417718>

## Technical data

### Product properties

Type	QPD 5x2,5
Product type	Installation connector
Product family	QPD
Number of positions	5
Connection profile	4+PE
Position marking	1, 2, 3, N, PE

### Insulation characteristics

Overvoltage category	III
Degree of pollution	3

### Electrical properties

Rated surge voltage (II/2)	8 kV
Rated surge voltage (III/2)	8 kV
Rated surge voltage (III/3)	6 kV
Rated current	20 A
Contact resistance	< 4 mΩ
rated voltage (II/2)	1000 V
rated voltage (III/2)	1000 V
Rated voltage (III/3)	690 V
Nominal current $I_N$	20 A

### Connection data

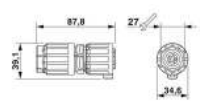
#### Connection technology

Connection technology	QUICKON connection
Connection system, internal	IDC connection
Frequency of connections between conductors of the same cross section	max. 10

#### Conductor connection

Conductor cross section flexibel	1 mm <sup>2</sup> ... 2.5 mm <sup>2</sup>
Conductor cross section solid	1 mm <sup>2</sup> ... 2.5 mm <sup>2</sup>
Connection cross section AWG	16 ... 14
Wrench size, union nut	27 mm
Tightening torque, union nut	10 Nm

### Dimensions

Dimensional drawing	
---------------------	--

# QPD P 4PE2,5 9-16 BKBK - Connector



1417718

<https://www.phoenixcontact.com/us/products/1417718>

Wrench size, union nut	27 mm
------------------------	-------

## Material specifications

Material	PA
Flammability rating according to UL 94	V0
Contact material	Cu
Contact surface material	silver-plated
Contact carrier material	PA

## Cable/line

Structure of individual litz in acc. with VDE 0295 / smallest wire diameter	VDE 0295 class 1 to 6/min. 0.15 mm
External cable diameter ( )	9 mm ... 16 mm
Wire diameter including insulation	2 mm ... 3.8 mm
Position marking	1, 2, 3, N, PE
Material wire insulation	PVC / PE

## Mechanical properties

### Mechanical data

Insertion/withdrawal cycles	max. 50
-----------------------------	---------

## Environmental and real-life conditions

### Ambient conditions

Degree of protection	IP66
	IP68 (2 m / 24 h)
	IP69K
Ambient temperature (operation)	-40 °C ... 100 °C
Temperature when conductor connected	-5 °C ... 50 °C
Ambient temperature (storage/transport)	-40 °C ... 80 °C

# QPD P 4PE2,5 9-16 BKBK - Connector

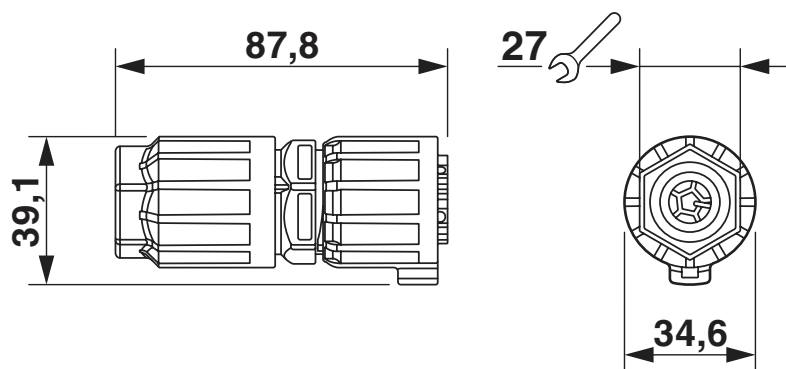
1417718

<https://www.phoenixcontact.com/us/products/1417718>



## Drawings

Dimensional drawing



Dimensional drawing: connector, 2.5 mm<sup>2</sup>

# QPD P 4PE2,5 9-16 BKBK - Connector



1417718

<https://www.phoenixcontact.com/us/products/1417718>

## Approvals

To download certificates, visit the product detail page: <https://www.phoenixcontact.com/us/products/1417718>



**IECEE CB Scheme**  
Approval ID: DE1-65875



**DNV GL**  
Approval ID: TAE00003J5



**VDE Zeichengenehmigung**  
Approval ID: 40029149



**UL Listed**  
Approval ID: E468743

	Nominal voltage $U_N$	Nominal current $I_N$	Cross section AWG	Cross section $\text{mm}^2$
	600 V	10 A	-	- 14



**cUL Listed**  
Approval ID: E468743

	Nominal voltage $U_N$	Nominal current $I_N$	Cross section AWG	Cross section $\text{mm}^2$
	600 V	10 A	- 14	-

**cULus Listed**

# QPD P 4PE2,5 9-16 BKBK - Connector



1417718

<https://www.phoenixcontact.com/us/products/1417718>

## Classifications

### ECLASS

ECLASS-11.0	27440605
ECLASS-12.0	27440605
ECLASS-13.0	27440605

### ETIM

ETIM 8.0	EC002560
----------	----------

### UNSPSC

UNSPSC 21.0	39121400
-------------	----------

# QPD P 4PE2,5 9-16 BKBK - Connector



1417718

<https://www.phoenixcontact.com/us/products/1417718>

## Environmental product compliance

China RoHS	Environmentally friendly use period: unlimited = EFUP-e
	No hazardous substances above threshold values

# QPD P 4PE2,5 9-16 BKBK - Connector



1417718

<https://www.phoenixcontact.com/us/products/1417718>

## Accessories

### CP-QPD 5X2,5 - Coding profile

1404530

<https://www.phoenixcontact.com/us/products/1404530>



Coding profile, red, for insertion into the 5-pos. QUICKON dome and connector, can be positioned in 72° increments.

---

### QPD QSK 5X2,5 - Protective cap

1404528

<https://www.phoenixcontact.com/us/products/1404528>



Protective cap, transparent plastic, for 5x 2.5 mm<sup>2</sup> QPD QUICKON connection, IP50.



# QPD P 4PE2,5 9-16 BKBK - Connector

1417718

<https://www.phoenixcontact.com/us/products/1417718>



## QPD PSK 5X2,5 - Protective cap

1404529

<https://www.phoenixcontact.com/us/products/1404529>

Protective cap, transparent plastic, for 5 x 2.5 mm<sup>2</sup> QPD connector, IP50.



---

Phoenix Contact 2023 © - all rights reserved

<https://www.phoenixcontact.com>

Phoenix Contact USA  
586 Fulling Mill Road  
Middletown, PA 17057, United States  
(+717) 944-1300  
[info@phoenixcon.com](mailto:info@phoenixcon.com)