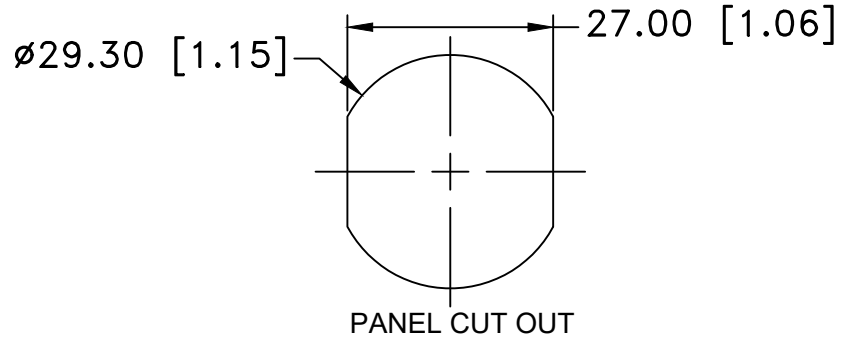
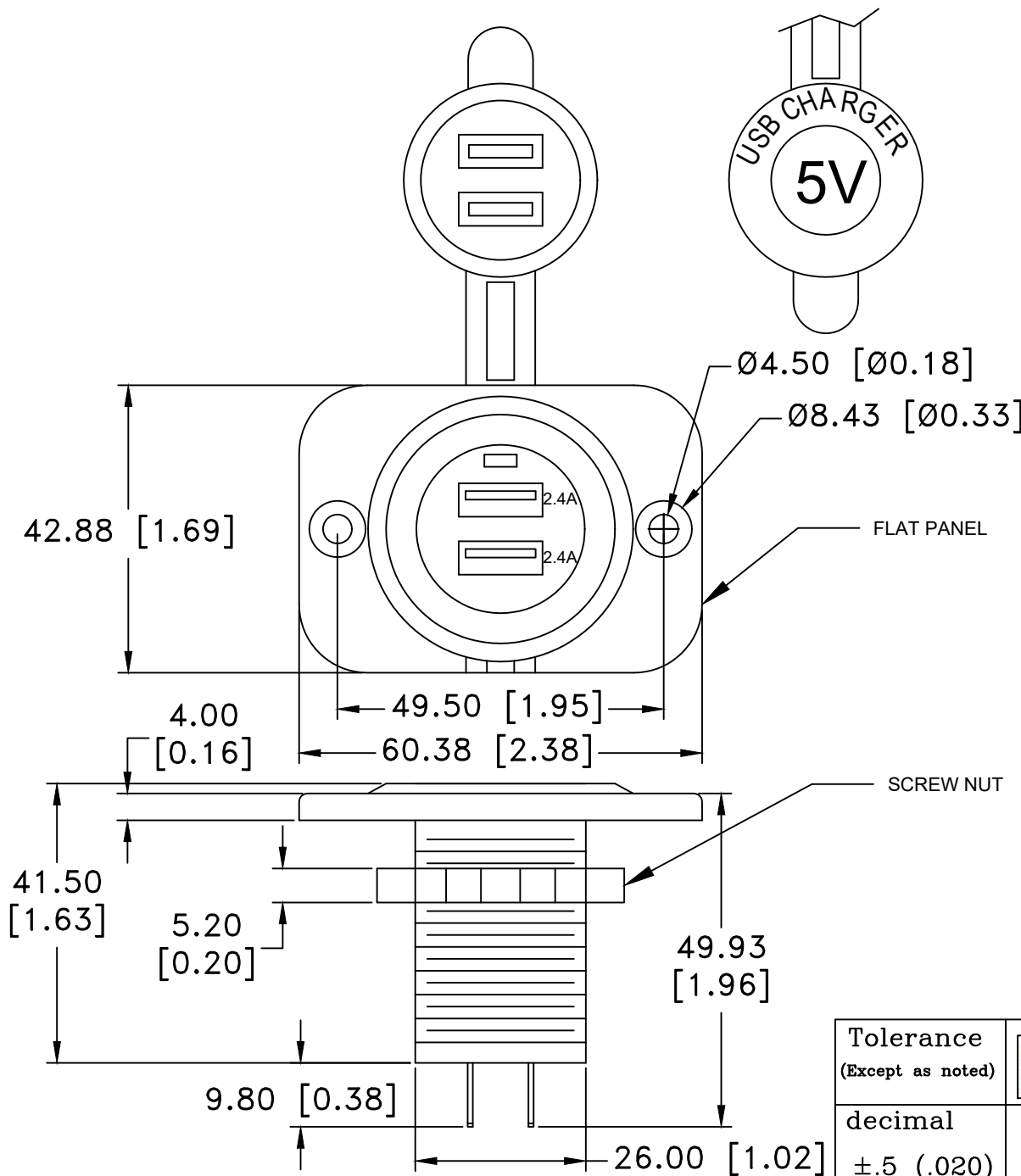



Date	SYM	REVISION RECORD	AUTH	DR.	CK.
09/02/21	A	Dim. 60.38 was 60.02 Dim. 49.50 was 49.00 Dim. 5.20 was 5.00 Dim. 49.93 was 51.30 Dim. 29.30 was 29.00 Dim. 27.00 was 26.00	T.B.	B.S.	



**SPECIFICATIONS:**  
COVER: PVC  
BODY: NYLON #66, UL94V-0 RATED, UL FILE NO. E303072  
CONTACTS: BRASS, NICKEL PLATED  
PLATE: NYLON #66, UL94V-0 RATED, UL FILE NO. E303072  
OPTIMIZED FOR iPad, iPhone, iPod - FAST CHARGING AT FULL SPEED  
COMPATIBLE WITH OTHER SMART PHONES  
INPUT: DC 10-28V (FOR BOTH 12V/24V SYSTEMS)  
OPTIMIZED FOR LATEST iPad Air/Air 2 (CHARGES AT 2.4A)  
AND FOR OTHER SMART PHONES (HTC, SAMSUNG, SONY ETC)  
ALLOWING FULL SPEED CHARGING  
OUTPUT: DC 5V 4.8A MAX (2.4A + 2.4A)  
LED POWER INDICATION  
SHORT CIRCUIT/ OVERHEAT PROTECTION  
0.250" QUICK CONNECT TERMINALS  
ROHS COMPLIANT

Tolerance (Except as noted)	 <b>Memory Protection Devices, Inc</b> 200 Broad Hollow Road, Farmingdale, New York 11735		
	decimal ±.5 (.020)	Scale	Drawn By B.S.
Fractional ± .8 (.030)	Title DOUBLE PORT 4.8A USB CHARGE WITH FLAT PANEL		
Angular ± 3°	Date 09/02/21	Drawing Number AS234A-A	
		Approved By T.B.	