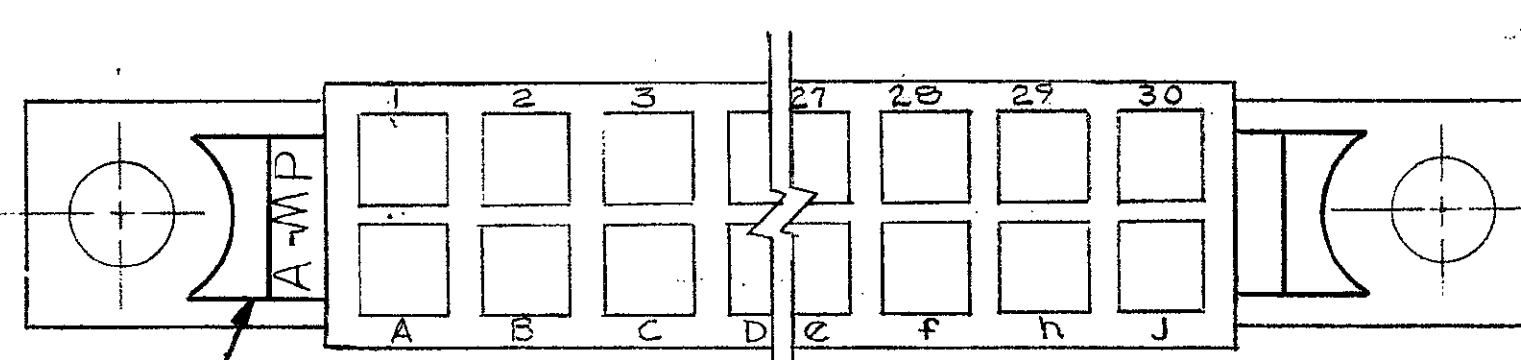
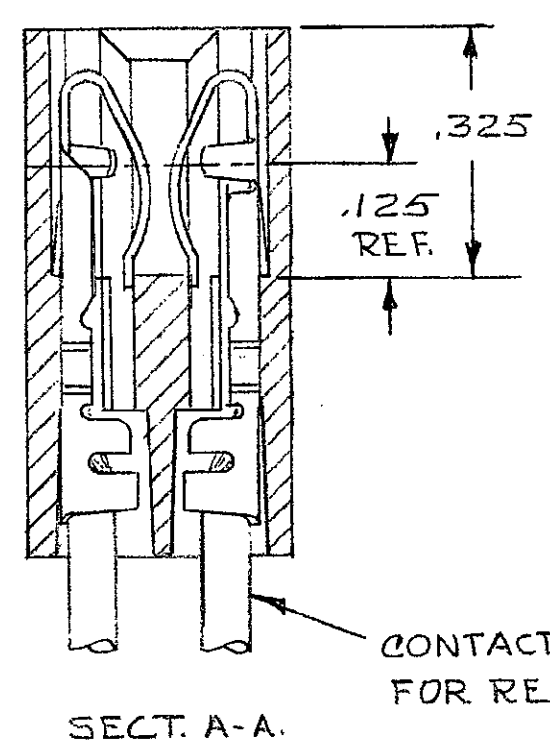
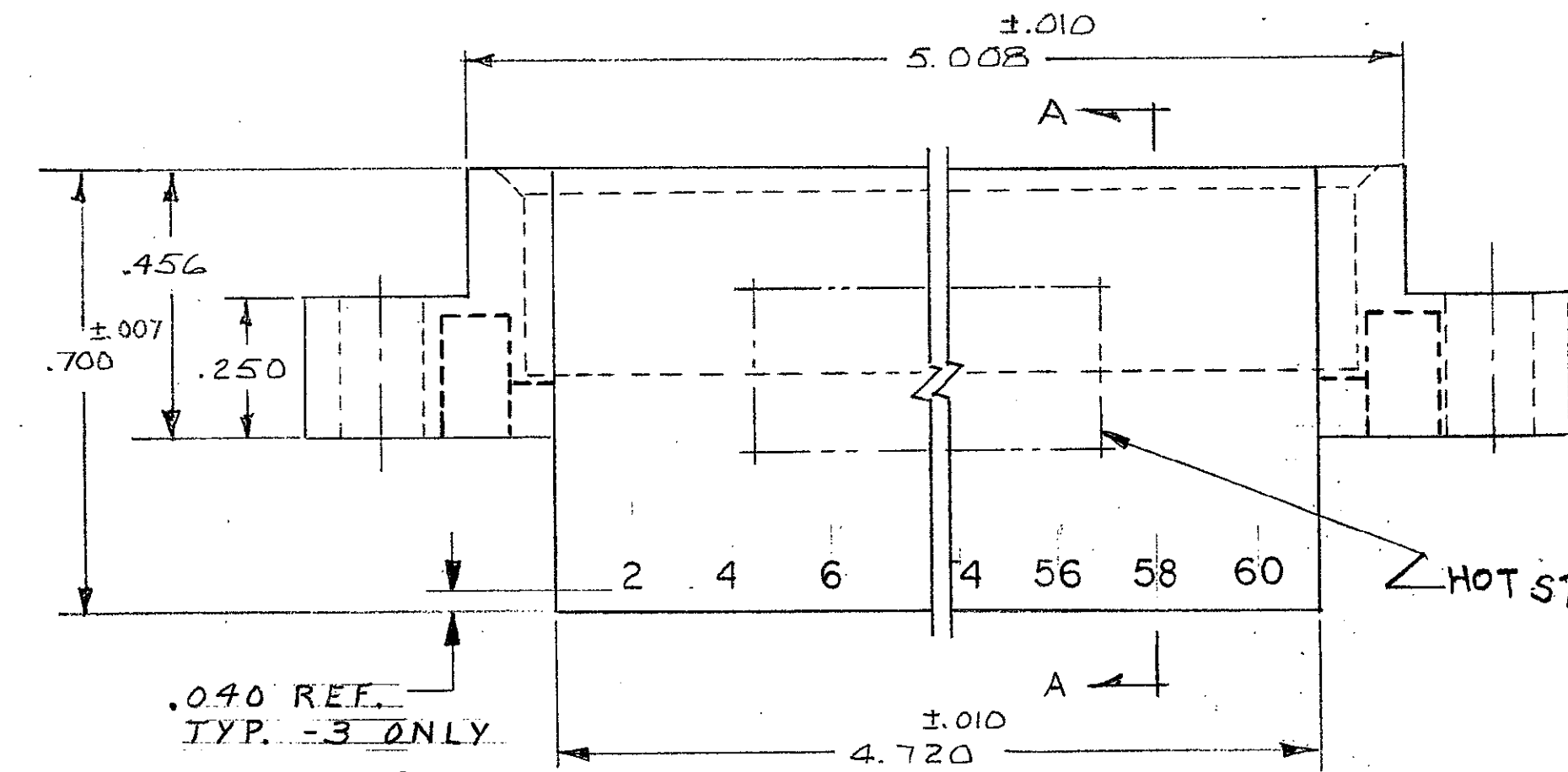
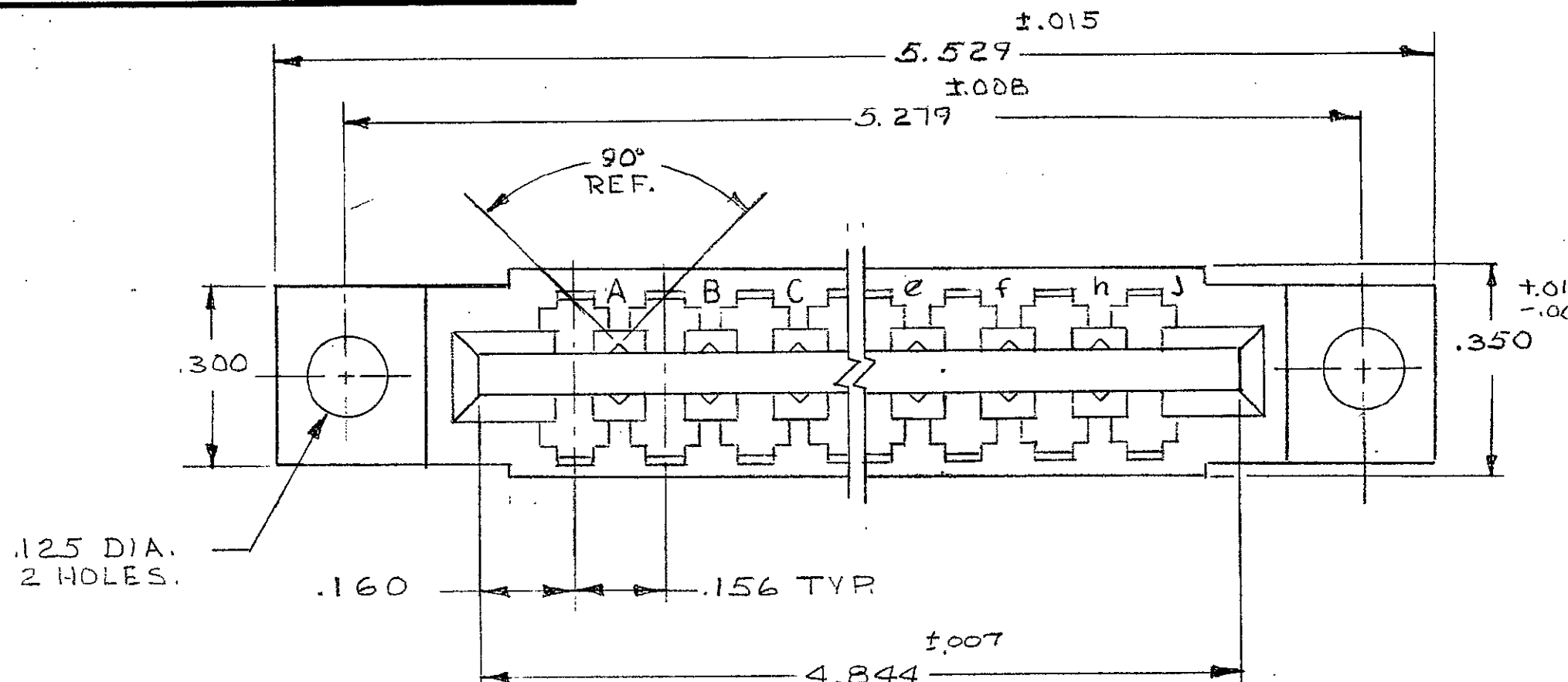


REVISIONS				
ZONE	LTR	DESCRIPTION	DATE	APPROVED
	01	RELEASED WAS 5112-256 CUST.	DR. 1-19-71	DR.
	A	REVISED MAT'L 4657	DR. 1-9-76	DR m.s.
	A1	ADDED -3 4783	m.s. 5-6-76	DR
	A2	REVISED 4920	m.s. 9-9-76	DR
	B	REV PER ADO70Z	5/3/85	CD/R/NS
	B1	REV PER AD 1087	2-7-86	
	C	REV PER AD 3180	1/89	W/R/DR
	D	REV PER 0010-0337-95	10-17-95	P.B./
	E	REV PER EC 0320-349-97	25 NOV 97	NS



583685-1.1. WITHOUT SPECIAL MARKING.
 OBSOLETE 583685-3.1. SAME AS 1 EXCEPT:
 SPECIAL MARKING.

HOT STAMP PART NO & DATE CODE, STAMPED IN THIS APPROX. AREA PER 119-9009.

1. .055 - .070 P.C BOARD THICKNESS.
 2. VOID CORING PERMISSIBLE AT AMP'S OPTION REF ONLY

UNLESS OTHERWISE SPECIFIED, DIMENSIONS ARE IN INCHES TOLERANCES ON : DECIMALS ±.005 ANGLES ±	CONTRACT NO.	AMP INCORPORATED HARRISBURG, PENNSYLVANIA	
	DR <i>Bumble 1-19-71</i>	NAME HOUSING, AMP LEAF, 30 POSITION, DUAL.	
	CHK <i>D.S. Koide 1-19-71</i>	SIZE C	CODE IDENT NO. 00779
	APPD <i>J. Kaufman 1-20-71</i>	NUMBER 583685	SHEET 1 of 1
MATERIAL GLASS FILLED NYLON OR POLYESTER COLOR: BLACK	REL <i>R. Shurman 1-21-71</i>	SCALE NTS	
	OTHER APPD	CUSTOMER DRAWING	