

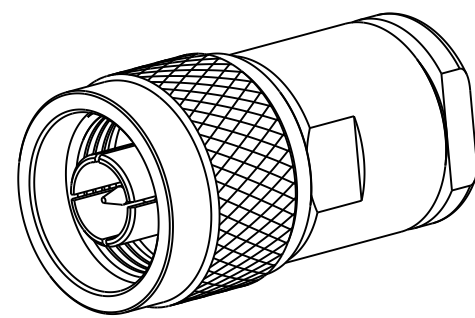
NOTES:

- MATERIALS AND FINISHES:**
 BODY, COUPLING NUT, CONTACT BODY, WASHERS, NUT AND BRAID CLAMP - BRASS, WHITE BRONZE PLATING
 CONTACT - BRASS, GOLD PLATING
 RETAINING RING - STAINLESS STEEL, NATURAL
 GASKETS - SILICONE RUBBER, RED
 INSULATOR - PTFE, NATURAL
- ELECTRICAL:**
 A. IMPEDANCE: 50 OHM
 B. FREQUENCY RANGE: DC - 11 GHz
 C. VSWR: 1.30 MAX.
 D. DIELECTRIC WITHSTANDING VOLTAGE: 2500 VRMS, MIN.
- MECHANICAL:**
 A. DURABILITY: 500 CYCLES MIN.
 B. TEMPERATURE RANGE: -65°C TO +165°C

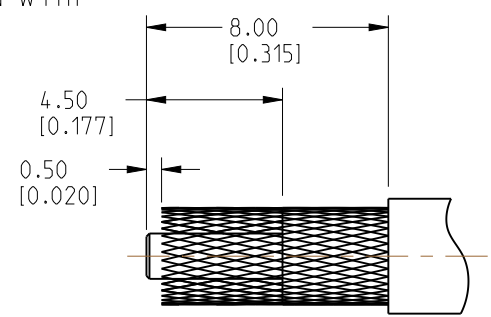
- CABLE ASSEMBLY INSTRUCTIONS:**
 A. TRIM CABLE AS SHOWN.
 B. SLIDE CLAMP NUT, WASHER, GASKET AND BRAID CLAMP OVER CABLE SHEATH.
 C. COMB OUT THE BRAID AND FOLD OUT. TRIM EXCESS BRAID.
 D. CRIMP CONTACT TO CABLE CENTER CONDUCTOR WITH .100" HEX DIE
 E. SLIDE SUB-ASSEMBLY TO THE REAR SIDE OF THE BODY AND TIGHTEN WITH PROPER SPANNER. MAKE ENSURE INTERFACE DIMENSIONS TO MEET.

5 SHOWS CABLE ENTRY DIMENSIONS.

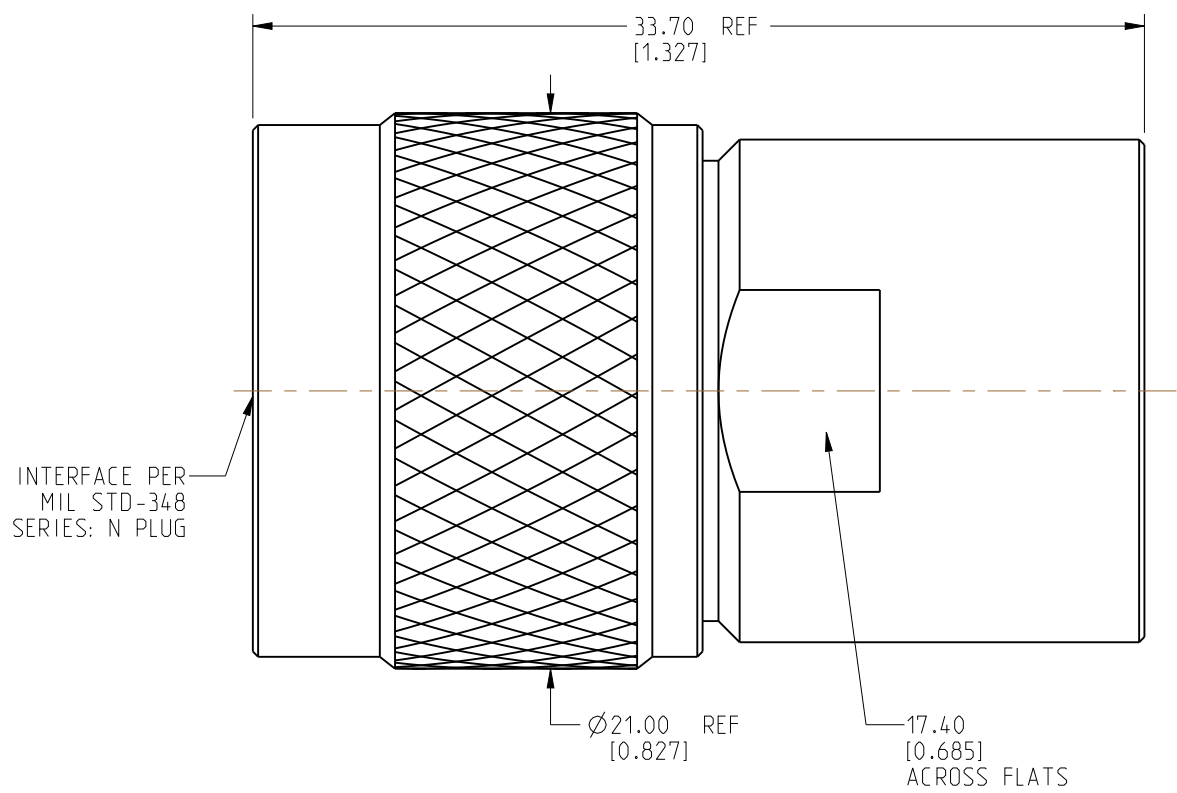
REVISIONS				
REV	DESCRIPTION	DATE	ECN	BY
NC	INITIAL RELEASE	--	--	--
A	UPDATE DRAWING FORMAT	06/05/03	--	GRS
B	SYNCH ARFA, DANBURY DRAWING AND NOTES UPDATED	30-MAR-23	16626	SH



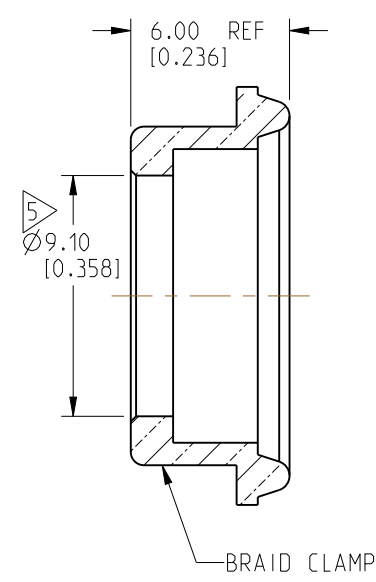
SCALE 1.500



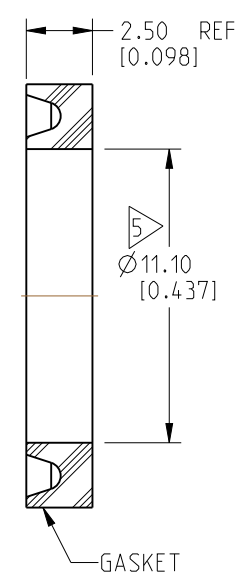
RECOMMENDED CABLE STRIPPING DIMENSIONS



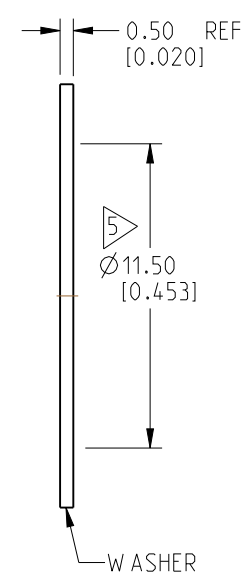
INTERFACE PER MIL STD-348 SERIES: N PLUG



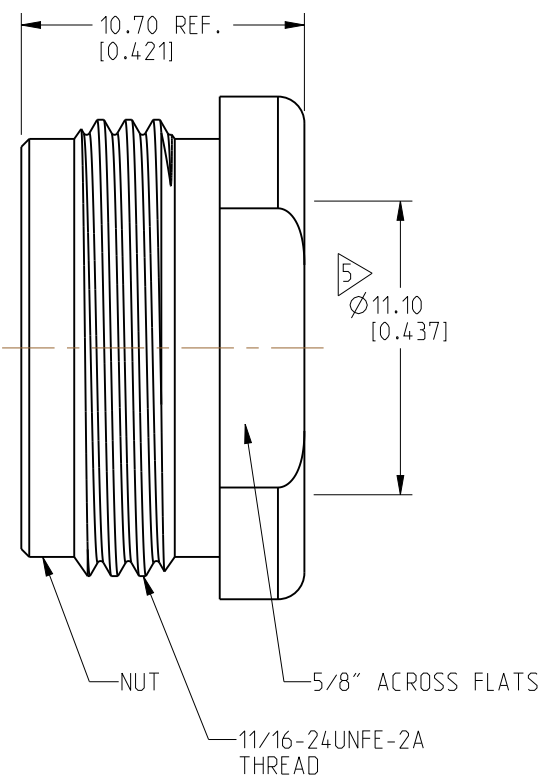
BRAID CLAMP



GASKET

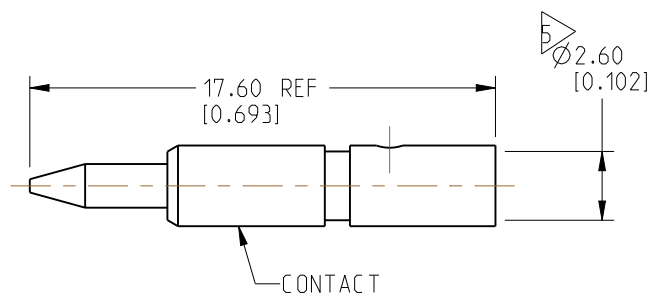


WASHER



NUT

5/8" ACROSS FLATS
11/16-24UNFE-2A THREAD



CONTACT

CUSTOMER OUTLINE DRAWING
ALL OTHER SHEETS ARE FOR INTERNAL USE ONLY

NOTICE: These drawings, specifications, or other data (1) are, and remain the property of Amphenol corp. (2) must be returned upon request; and (3) are confidential and not to be disclosed to any person other than those to whom they are given by Amphenol Corp. The furnishing of these drawings, specifications, or other data by Amphenol Corp., or to any other person to anyone for any purpose is not to be regarded by implication or otherwise in any manner licensing, granting rights to permitting such holder or any other person to manufacture, use or sell any product, process or design, patented or otherwise, that may in any way be related to or disclosed by said drawings, specifications, or other data.

UNLESS OTHERWISE SPECIFIED DIMENSIONS ARE METRIC (INCHES) AND TOLERANCES ARE:
 <0.5mm = ±0.05mm [-0.020 = ±0.002]
 0.5 - 6mm = ±0.1mm [-0.020 - 0.236 = ±0.004]
 >6.00 - 30mm = ±0.2mm [-0.236 - 1.181 = ±0.008]
 >30.00 - 120mm = ±0.3mm [-1.181 - 4.725 = ±0.012]

MATERIAL: SEE NOTES
 ENGR.1: S.L.I. ENGR.2: M.ZHANG DATE: 22-MAR-23

TITLE: N STR PLUG FOR RG 8/U, 213/U AND 214/U CABLE CLAMP TYPE
 SHEET NO. 2 OF 2 SCALE: 8.0:1.0

SIZE: B	DRAWING NO. N1141A2-AT5GP-214U-50		REV: B
	ITEM NO. 031141AAA24CP5F		
	PART NO. 172113		

THIRD ANGLE PROJ. [Symbol]

REFERENCE [Symbol] EAR#

ANGLES = ±1°