

## 48 x 48 Digital LCD Timer 815 Part number 88857301



### Relay output digital timers

- Multi-range
- Multi-voltage
- 1 or 2 relay outputs
- Data saved in the event of a break in supply (Timer 815)
- Access to programming lockable (Timer 814, 815)
- Up or down timing mode
- Internal power supply by battery (10 years / 20 °C)

### Part numbers

	Type	Functions	Connection	Relay outputs	Supply voltage	Nominal rating
88857301	Timer 815	A1, A2, AM, AMt	Plug-in 11 way	1 timed changeover or instantaneous	24 V DC/AC220 →240 V AC	2 x 8 A

### Specifications

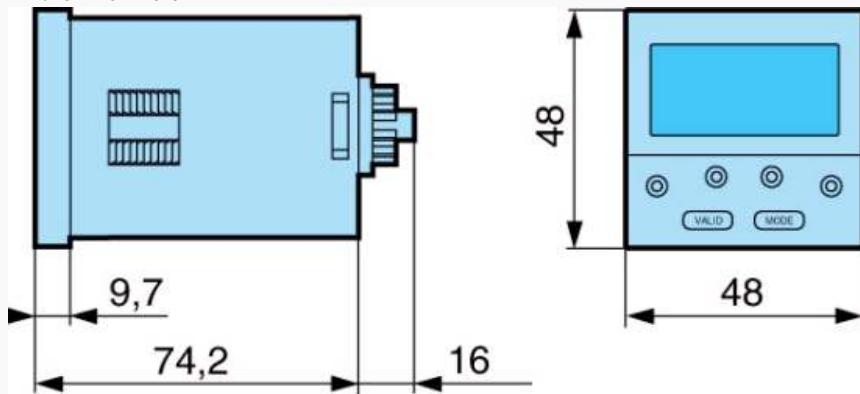
Number of digits	4
Height of digits	TIMER 812 - 814 - 815 : 8 mm
Timing ranges	99,99 s 999,9 s 9999 s 99 min 59 s 99,99 min 999,9 min 9999 min 99 h 59 min 99,99 h 999,9 h 9999 h
Repetition accuracy (with constant parameters)	TIMER 812 - 814 - 815 : ± 0,03 % ± 20 ms
Display precision	TIMER 812 - 814 - 815 : ± 0,03 % ± 20 ms
Min. control pulse	50 ms
Maximum reset time by de-energisation during timed delay	50 ms
Maximum reset time by de-energisation after timing	50 ms
Nominal rating	TIMER 814 - 815 : 8 A AC 8 A DC TIMER 812 : 5 A AC 5 A DC
Max. breaking voltage	TIMER 812 - 814 - 815 : 250 V AC 30 V
Maximum power rating (resistive)	TIMER 814 - 815 : 2000 VA - 190 W TIMER 812 : 1250 VA - 120 W
Maximum admissible current	15 A < 0,01 s
Minimum current	TIMER 812 - 814 - 815 : 250 V AC 30 V DC 100 mA
Electrical life at I max., 250 V AC resistive (cycles)	10 <sup>5</sup>
Max. permitted number of operations at 1 max 250 V AC resistive per hour	600
Mechanical life (operations)	TIMER 812 - 814 - 815 : 5 x 10 <sup>6</sup>
Voltage variation	TIMER 814 : + 10 % - 15 %
Immunity from micro power cuts	< 0,03 s
Max. absorbed power	0.5 W / 12 V 1 VA / 24 V 0.5 W / 24 V 3.5 VA / 110 V 1 W / 48 V 11 VA / 220 V
Temperature limits use (°C)	TIMER 812 - 814 - 815 : -10 °C →+60 °C
Temperature limits stored (°C)	TIMER 812 - 814 - 815 : -30 °C →+70 °C
Degree of protection front face	TIMER 812 - 814 - 815 : IP65
Insulation according to standard IEC/EN 61812-1, IEC/EN 60255-5	EN61812-1 - IEC255-5
Protection class according to CEI/EN 60529	■
Mounting Front panel, by clip	■
Mounting base-mounted on socket	■
Material	Self-extinguishing UL 94 grade V0
Weight (g)	TIMER 814 : 100 TIMER 812 - 815 : 140

### Accessories

Accessories	Code
8-pin solder-connected plug	25622301
11-pin connector base	25622080

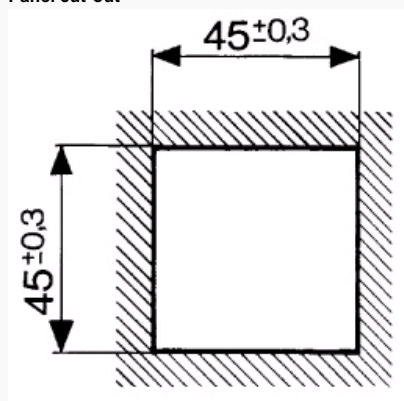
**Dimensions (mm)**

Timer 812 - 814 - 815

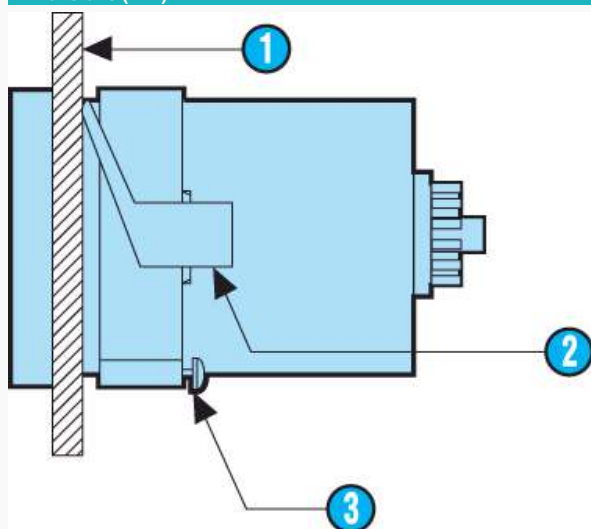


**Dimensions (mm)**

Panel cut-out



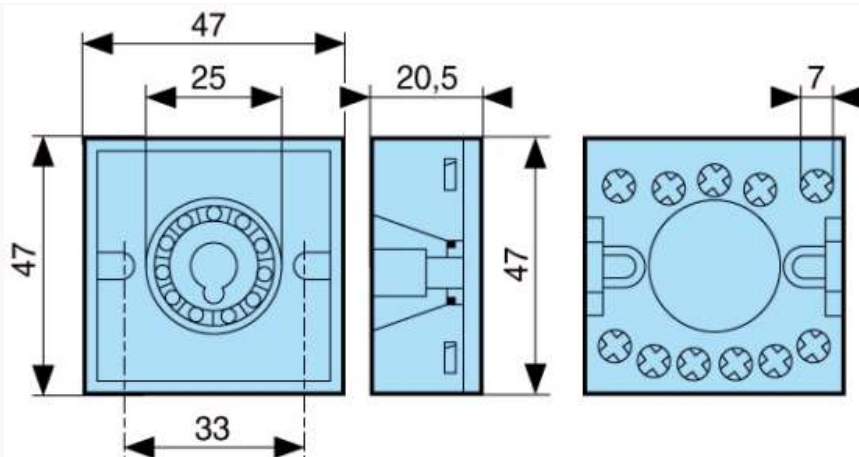
**Dimensions (mm)**



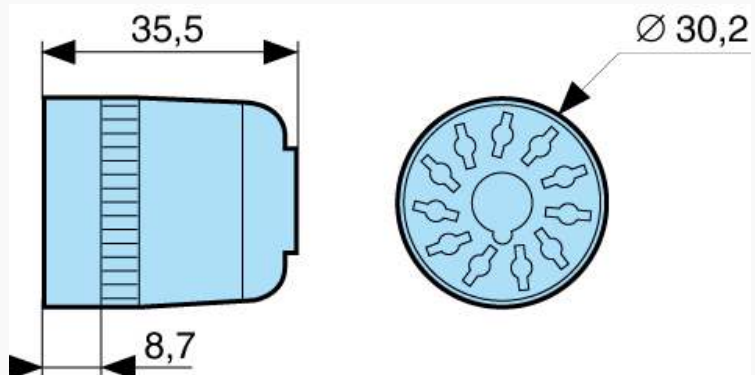
N°	Legend
①	Panel thickness 1 to 3,5 mm
②	Clip for panel-mounting
③	Positioning screw

**Dimensions (mm)**

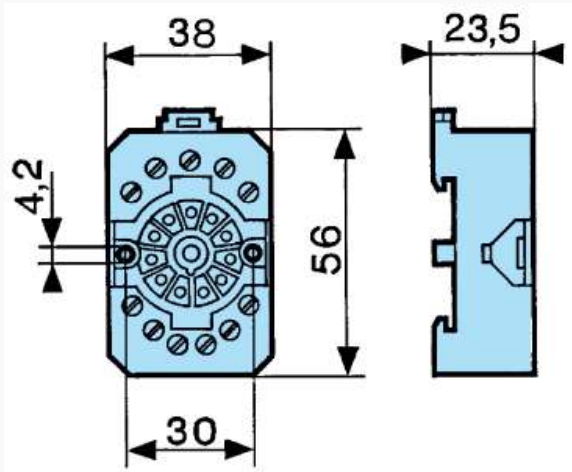
11-pole rear base  
79694002  
Panel-mounted

**Dimensions (mm)**

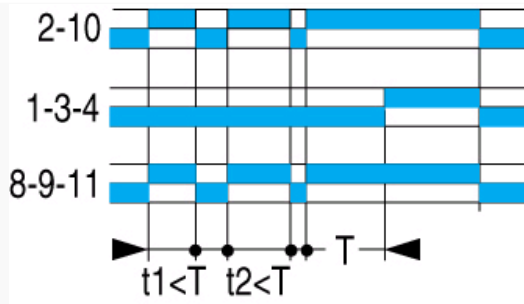
8-pin or 11-pin solder-connected plug  
25622076 - 25622301

**Dimensions (mm)**

Connector socket  
11-pin 25622080  
8-pin 25622130

**Curves**

Function A1

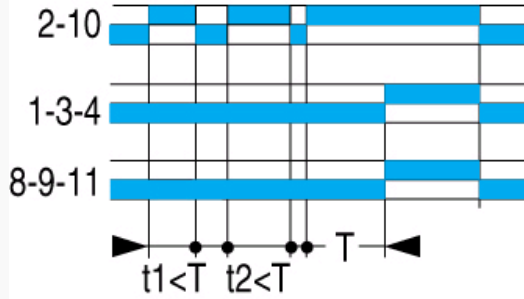


**Function A1**

Delay on energisation  
 1 timed relay  
 1 instantaneous relay

**Curves**

**Function A2**

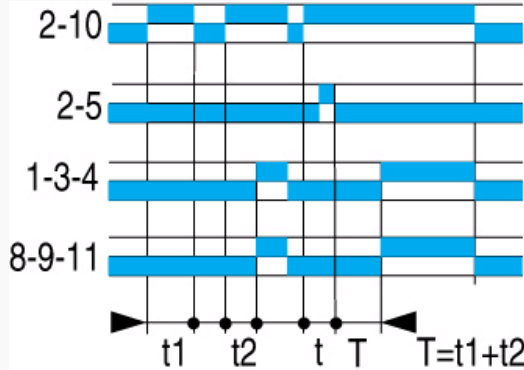


**Function A2**

Delay on energisation  
 2 timed relays

**Curves**

**Function AM**

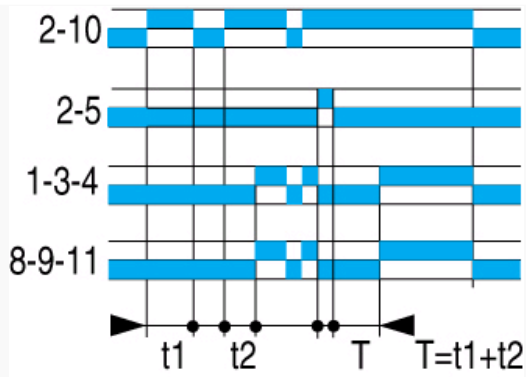


**Function AM**

Delay on energisation  
 Memory during timing. Reset

**Curves**

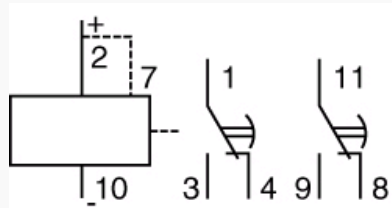
**Function AMt**



<b>Function AMt</b>
Delay on energisation Memory during and after timing. Reset

**Connections**

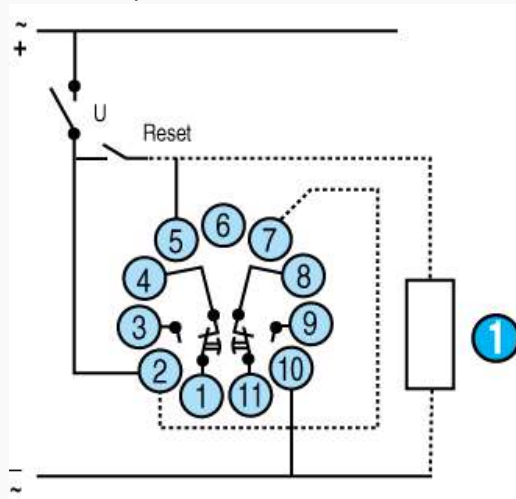
Timer 815 - 11-pin



N°	Legend
	Supply
	Bridge (88 857 301-88 857 302-88 857 307)
1-3-4	Timed output contact
	Timed or instantaneous output contact

**Connections**

Timer 815 - 11-pin



N°	Legend
	Other loads may be connected in parallel

**Connections**

**CA 88857301**

 CA 88857301