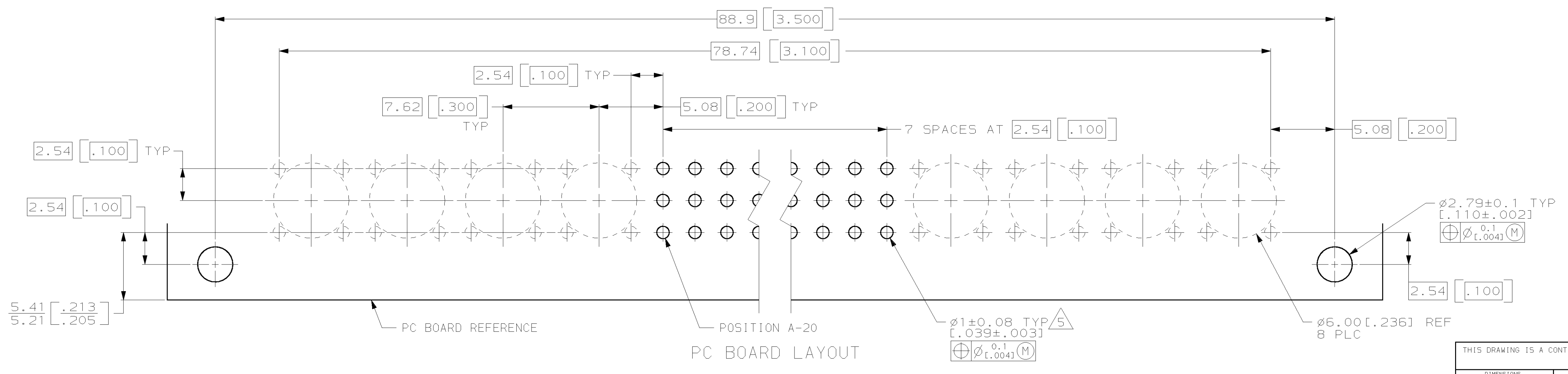
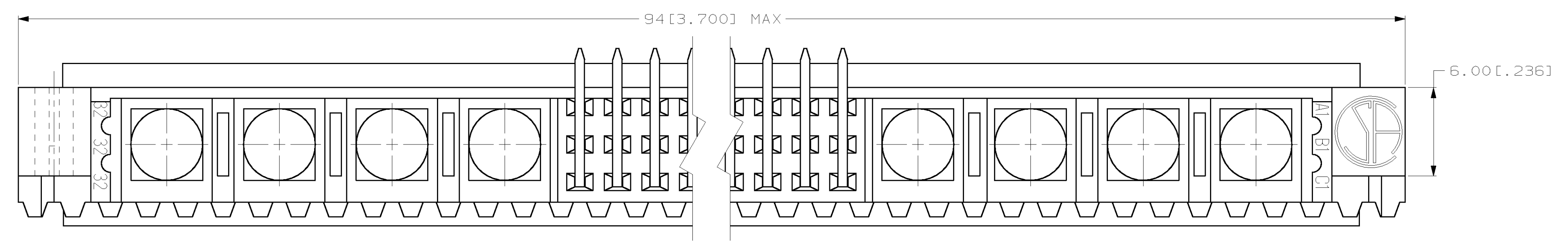
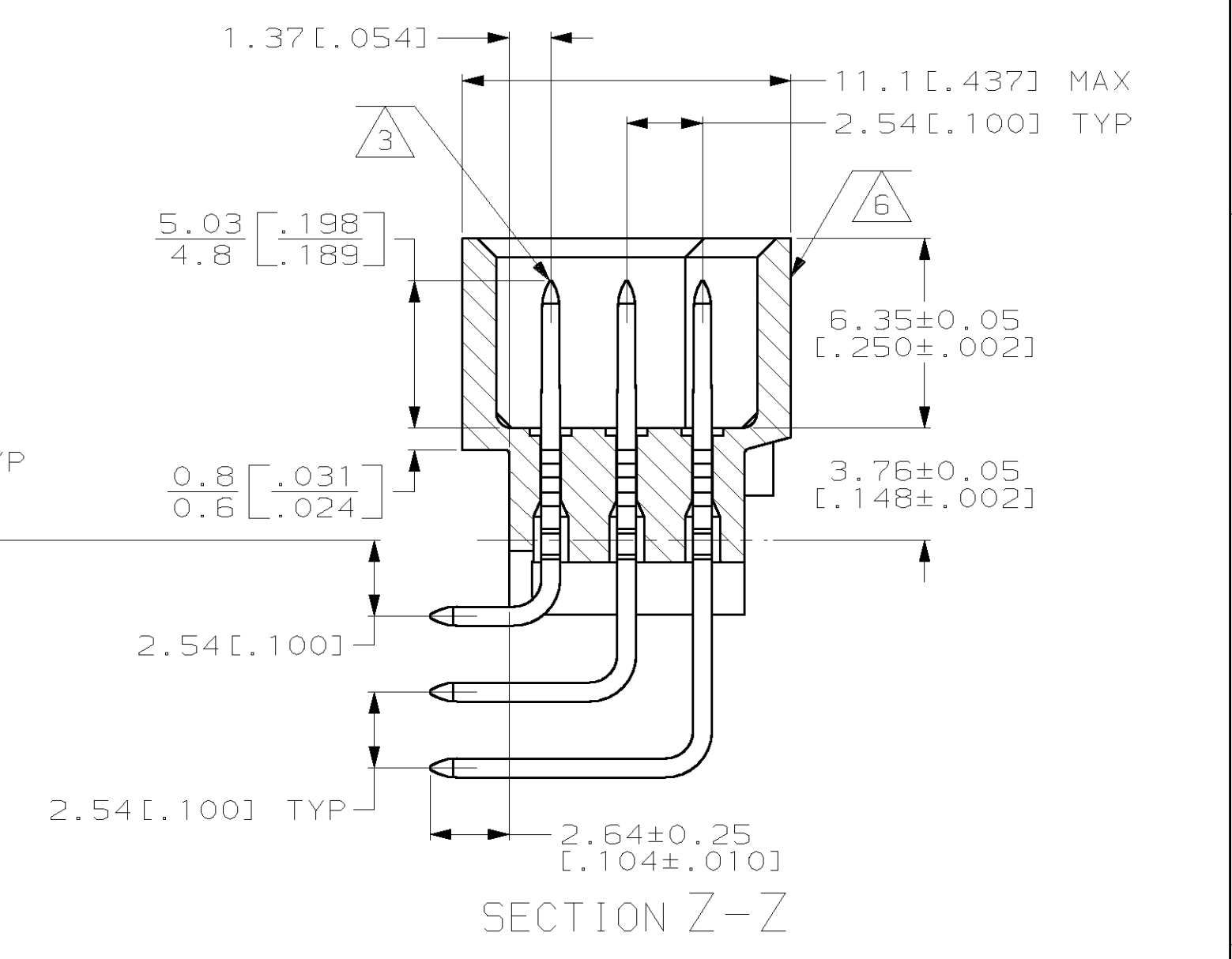
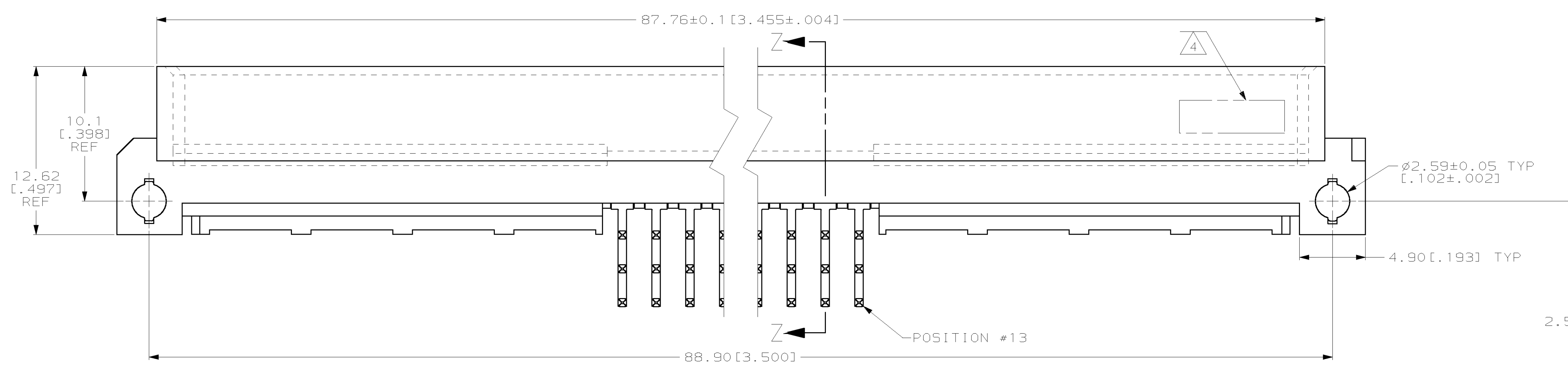
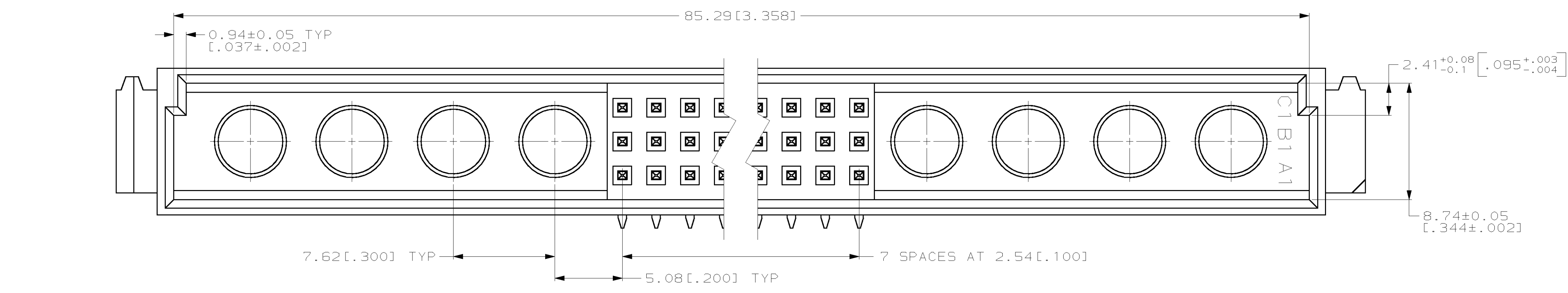


LOC	DIST	REV	DATE	BY	APPV
AD	25	0			
		A	06 APR 99	BC	CR

- 1 HOUSING MATERIAL: GLASS-FILLED POLYESTER. COLOR: GRAY.
- 2 POST MATERIAL: BRASS.
- 3 POST FINISH: DIN 41612 CLASS 2 IN CONTACT AREA. TIN-LEAD PLATE ON POSTS.
- 4 PART NUMBER AND DATE CODE HOT STAMPED IN THIS APPROXIMATE AREA.
- 5 RECOMMENDED HOLE SIZE FOR MANUAL APPLICATION OF CONNECTOR ONTO PC BOARD.
- 6 HOT STAMPING ON THIS SIDE.



148414-5  
PART NUMBER

THIS DRAWING IS A CONTROLLED DOCUMENT.		DWN L. BRINER 12/19/97	AMP Incorporated Harrisburg, PA 17105-3608	
DIMENSIONS: mm		CHK R. PATTERSON 12/19/97	NAME PIN ASSEMBLY, EUROCARD, TYPE M, 24 + 8 POSITION	
TOLERANCES UNLESS OTHERWISE SPECIFIED:		APVD R. PATTERSON 12/19/97	SIZE A1 00779 C-148414	
0 PLC ±		PRODUCT SPEC	RESTRICTED TO	
1 PLC ±		APPLICATION SPEC	SCALE 5:1 SHEET 1 OF 1 REV A	
2 PLC ±0.13 (0.005)		WEIGHT	CUSTOMER DRAWING	
3 PLC ±				
4 PLC ±				
ANGLES				
MATERIAL				
HOUSING: 1				
POST: 2				