



Product Compliance

[For compliance documentation, visit the product page on TE.com>](#)

EU RoHS Directive 2011/65/EU	Compliant
EU ELV Directive 2000/53/EC	Compliant
China RoHS 2 Directive MIIT Order No 32, 2016	No Restricted Materials Above Threshold
EU REACH Regulation (EC) No. 1907/2006	Current ECHA Candidate List: JUNE 2023 (235) Candidate List Declared Against: JUL 2021 (219) Does not contain REACH SVHC
Halogen Content	Not Low Halogen - contains Br or Cl > 900 ppm.
Solder Process Capability	Not applicable for solder process capability

Product Compliance Disclaimer

This information is provided based on reasonable inquiry of our suppliers and represents our current actual knowledge based on the information they provided. This information is subject to change. The part numbers that TE has identified as EU RoHS compliant have a maximum concentration of 0.1% by weight in homogenous materials for lead, hexavalent chromium, mercury, PBB, PBDE, DBP, BBP, DEHP, DIBP, and 0.01% for cadmium, or qualify for an exemption to these limits as defined in the Annexes of Directive 2011/65/EU (RoHS2). Finished electrical and electronic equipment products will be CE marked as required by Directive 2011/65/EU. Components may not be CE marked. Additionally, the part numbers that TE has identified as EU ELV compliant have a maximum concentration of 0.1% by weight in homogenous materials for lead, hexavalent chromium, and mercury, and 0.01% for cadmium, or qualify for an exemption to these limits as defined in the Annexes of Directive 2000/53/EC (ELV). Regarding the REACH Regulation, the information TE provides on SVHC in articles for this part number is based on the latest European Chemicals Agency (ECHA) 'Guidance on requirements for substances in articles' posted at this URL: <https://echa.europa.eu/guidance-documents/guidance-on-reach>

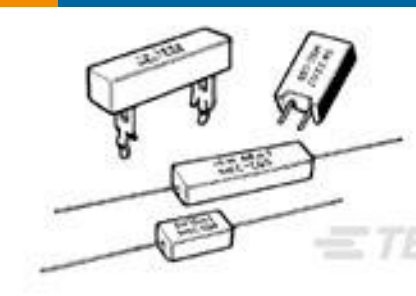
Customers Also Bought



TE Part #1393260-7
SR6B4024 - V23050-A1024-A542



TE Part #440133-2
2.5MM,HSG,2POS



TE Part #1623782-7
SQM5 22K 5% (METAL FILM)



TE Part #1623730-1
BCHE 4 W 100R 5%



TE Part #350835-4
09P UMNH HDR ASSY PC 94VO LF



TE Part #350211-1
04P CMNL HDR ASSY PC



TE Part #282834-5
TERMI-BLOK PCB MOUNT, 90 5P.



TE Part #TCD14741111-005
M12D4-MS-RJ-PVC-22SH-TYPE B
GREEN-5.0M



TE Part #1483350-2
MICRO-MATCH LEAD 04P 150MM



TE Part #1483356-3
MICRO-MATCH LEAD 16P 250MM

Documents

Product Drawings

MICRO-MATCH LEAD 16P 150MM

English

CAD Files

3D PDF

3D

Customer View Model

[ENG_CVM_CVM_1483356-2_A_c-1483356-2-a.2d_dxf.zip](#)

English

Customer View Model

[ENG_CVM_CVM_1483356-2_A_c-1483356-2-a.3d_igs.zip](#)

English

Customer View Model

[ENG_CVM_CVM_1483356-2_A_c-1483356-2-a.3d_stp.zip](#)

English

By downloading the CAD file I accept and agree to the [Terms and Conditions](#) of use.