

MATERIAL NUMBER			CKT SIZE	DESCRIPTION	POL	COLOR
TRAY PACKAGING PK-31300-892	TUBE PACKAGING PK-31301-063	ALT TRAY PACK PK-31300-894				
34691-0200	34691-9200	34691-9204	20	STAC64 RIGHT ANGLE HEADER ASSEMBLY	A	BLACK
34691-0201	34691-9201	TBD	20	STAC64 RIGHT ANGLE HEADER ASSEMBLY	B	GREY
34691-0202	34691-9202	TBD	20	STAC64 RIGHT ANGLE HEADER ASSEMBLY	C	BROWN
34691-0203	34691-9203	TBD	20	STAC64 RIGHT ANGLE HEADER ASSEMBLY	D	GREEN
34691-0160	34691-9160	TBD	16	STAC64 RIGHT ANGLE HEADER ASSEMBLY	A	BLACK
34691-0161	34691-9161	TBD	16	STAC64 RIGHT ANGLE HEADER ASSEMBLY	B	GREY
34691-0162	34691-9162	TBD	16	STAC64 RIGHT ANGLE HEADER ASSEMBLY	C	BROWN
34691-0120	34691-9120	TBD	12	STAC64 RIGHT ANGLE HEADER ASSEMBLY	A	BLACK
34691-0121	34691-9121	TBD	12	STAC64 RIGHT ANGLE HEADER ASSEMBLY	B	GREY
34691-0122	34691-9122	TBD	12	STAC64 RIGHT ANGLE HEADER ASSEMBLY	C	BROWN
34691-0080	34691-9080	TBD	8	STAC64 RIGHT ANGLE HEADER ASSEMBLY	A	BLACK
34691-0081	34691-9081	TBD	8	STAC64 RIGHT ANGLE HEADER ASSEMBLY	B	GREY
34691-0082	34691-9082	TBD	8	STAC64 RIGHT ANGLE HEADER ASSEMBLY	C	BROWN

- NOTES: VALID UNLESS OTHERWISE SPECIFIED
1. GENERAL:
- CONNECTOR HEADER MUST BE VALIDATED TO THE FOLLOWING FUNCTIONAL REQUIREMENTS:
POLARIZATION FEATURE EFFECTIVENESS - SEE PRODUCT SPECIFICATION
PIN RETENTION - USCAR-2 REV 4
SOLDERABILITY - SMES-152
 - APPLICATION REQUIREMENTS (REFERENCE ONLY) FOR:
SEE APPLICATION SPECIFICATION - AS-34729-020/AS-31408-100
SEE PRODUCT SPECIFICATION - PS-34729-020/PS-31408-100
 - PACKAGING SPECIFICATION: SEE CHART
2. DESIGN: MATERIALS:
- SHROUD (PLASTIC HOUSING):
RESIN - SPS 30%GF - 20% REGRIND MAX. BY WEIGHT
 - 0.64MM PINS:
BASE MATERIAL: C26000
PLATING TYPE: AS NOTED
 - PIN ALIGNMENT PLATE: NYLAR
3. PLATING REQUIREMENTS:
- UNDERPLATING - OVERALL NICKEL
 - OVERPLATING - OVERALL TIN
4. INTERFACE: USCAR
064-U-008-2-202
064-U-012-2-203
064-U-016-2-203
064-U-020-2-202
SOME CHAMFERS HAVE BEEN MODIFIED TO IMPROVE POLARIZATION EFFECTIVENESS. SEE AS-34729-002/AS-31408-100.

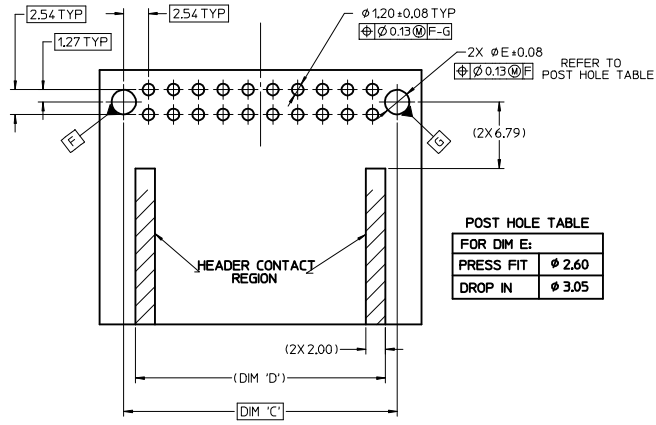
UPDATED DIMENSIONS EC NO: UAU2007-1044 DRAWN BY: FISCHER01 2017/05/11 CHKD: APPR:RB/MAJAN 2017/05/15 DESCRIPTION:	QUALITY SYMBOLS 	GENERAL TOLERANCES (UNLESS SPECIFIED) <table border="1"> <tr><th></th><th>mm</th><th>INCH</th></tr> <tr><td>4 PLACES</td><td>±.005</td><td>±.0005</td></tr> <tr><td>3 PLACES</td><td>±.008</td><td>±.0008</td></tr> <tr><td>2 PLACES</td><td>±.013</td><td>±.0013</td></tr> <tr><td>1 PLACE</td><td>±.025</td><td>±.0025</td></tr> </table> ANGULAR ± 3°		mm	INCH	4 PLACES	±.005	±.0005	3 PLACES	±.008	±.0008	2 PLACES	±.013	±.0013	1 PLACE	±.025	±.0025	DIMENSION STYLE MM ONLY	SCALE 2:1	DESIGN UNITS METRIC	
		mm	INCH																		
4 PLACES	±.005	±.0005																			
3 PLACES	±.008	±.0008																			
2 PLACES	±.013	±.0013																			
1 PLACE	±.025	±.0025																			
DRAWN BY: MBAILEY DATE: 10/02/06 CHECKED BY: DATE: EDILLON 04/18/07 APPROVED BY: DATE: SMARCEAU 2010/11/04	TITLE STAC64 SINGLE BAY RIGHT ANGLE ASSEMBLY SALES DRAWING		MOLEX INCORPORATED		MATERIAL NO. SD-34691-100	DOCUMENT NO. SD-34691-100															

DRAFT WHERE APPLICABLE MUST REMAIN WITHIN DIMENSIONS

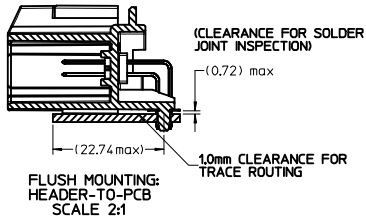
THIS DRAWING CONTAINS INFORMATION THAT IS PROPRIETARY TO MOLEX INCORPORATED AND SHOULD NOT BE USED WITHOUT WRITTEN PERMISSION

CKT SIZE	DIM 'A'	DIM 'B'	DIM 'C'	DIM 'D'
20	34.04	31.57	27.94	25.54
16	28.96	26.49	22.86	20.46
12	23.88	21.41	17.78	15.38
8	18.80	16.53	12.70	10.30

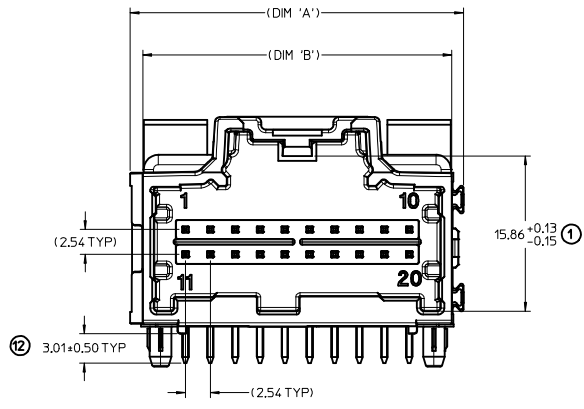
RECOMMENDED PCB LAYOUT



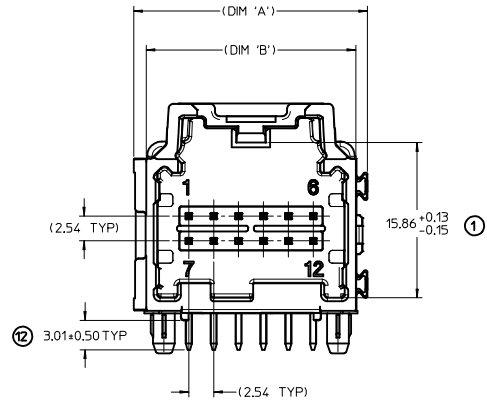
POST HOLE TABLE	
FOR DIM E:	
PRESS FIT	φ 2.60
DROP IN	φ 3.05



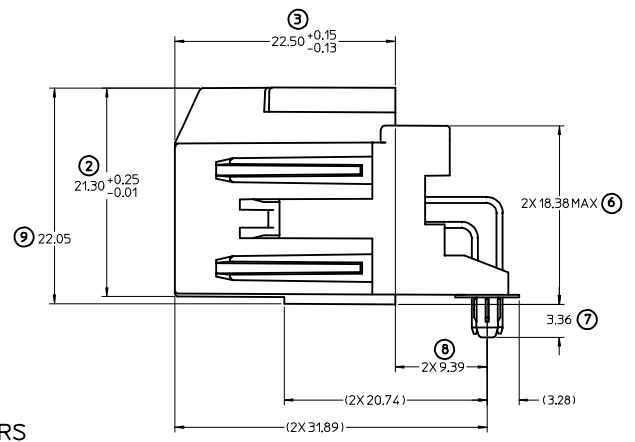
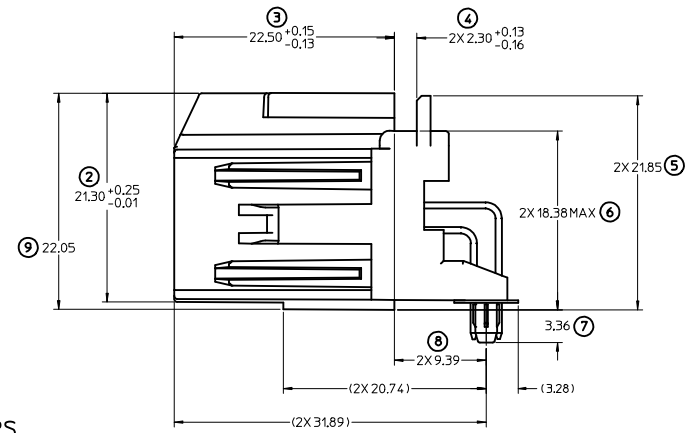
RECOMMENDED FOR WAVE SOLDER
 FOR REFLOW CAPABLE PLASTIC PAP SEE:
 SD-34691-600



LAYOUT FOR 16 & 20 CKT. HEADERS
 (20 CKT. OPTION 'A' SHOWN)

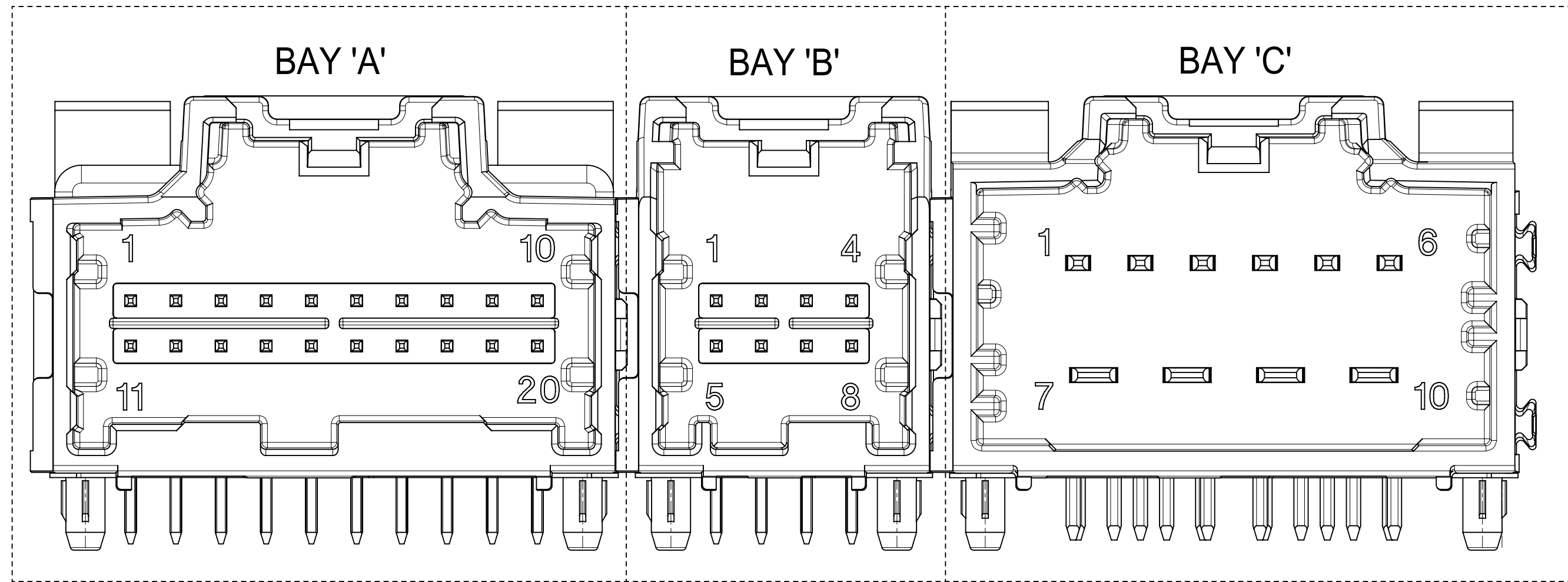


LAYOUT FOR 8 & 12 CKT. HEADERS
 (12 CKT. OPTION 'A' SHOWN)



REV	DESCRIPTION	QUALITY SYMBOLS	GENERAL TOLERANCES (UNLESS SPECIFIED)		DIMENSION STYLE		SCALE	DESIGN UNITS	THIRD ANGLE PROJECTION
			mm	INCH	MM ONLY	DATE			
1	UPDATED DIMENSIONS	▽=0	4 PLACES	±	---	---	4:1	METRIC	STAC64 SINGLE BAY RIGHT ANGLE ASSEMBLY SALES DRAWING
2	EC NO. UAU2017-1044	▽=0	3 PLACES	±	---	---			MOLEX INCORPORATED
3	DRWN: FISCHER01 2017/05/11		2 PLACES	±	0.13	---			SD-34691-100
4	CHKD: APPR: BALMAIN 2017/05/15		1 PLACE	±	0.25	---			2 OF 2
			ANGULAR ± 3°		DRAFT WHERE APPLICABLE MUST REMAIN WITHIN DIMENSIONS		SEE CHART		THIS DRAWING CONTAINS INFORMATION THAT IS PROPRIETARY TO MOLEX INCORPORATED AND SHOULD NOT BE USED WITHOUT WRITTEN PERMISSION

3-BAY STAC64 RIGHT ANGLE HEADER ASSEMBLY (P/N: 34708-3040 SHOWN)



NOTES: VALID UNLESS OTHERWISE SPECIFIED

1. GENERAL:

a. CONNECTOR HEADER MUST BE VALIDATED TO THE FOLLOWING FUNCTIONAL REQUIREMENTS:

PRODUCT SPECIFICATION:
8-20 CKT 0.64 PRODUCT SPEC: PS-34729-020/PS-31408-100
10/14 CKT HYBRID PRODUCT SPEC: PS-31372-100

b. APPLICATION REQUIREMENTS (REFERENCE ONLY):

APPLICATION SPECIFICATION: AS-34729-020/AS-31408-100

c. PACKAGING SPECIFICATION PER MOLEX DRAWING PK-31300-892 (TRAY)
d. PACKAGING SPECIFICATION PER MOLEX DRAWING PK-31301-063 (TUBE)

2. DESIGN: MATERIALS:

a. SHROUD (PLASTIC HOUSING):
RESIN - SPS 30%GF
COLOR:
POL A - BLACK
POL B - GRAY
POL C - BROWN
POL D - GREEN

b. 0.64mm PINS:
BASE MATERIAL: C26000
PLATING TYPE: AS NOTED

1.50/2.80mm BLADES:
BASE MATERIAL: C19400
PLATING TYPE: AS NOTED

3. PLATING REQUIREMENTS:

a. UNDERPLATING - OVERALL NICKEL

b. OVERPLATING - OVERALL TIN

4. FOR DESCRIPTION OF INDIVIDUAL BAYS, REFER TO THE FOLLOWING

SINGLE BAY DRAWINGS:
8-20 CKT 0.64: SD-34691-100
10 CKT HYBRID: SD-34696-100
14 CKT HYBRID: SD-34773-010

SYMBOLS										THIS DRAWING CONTAINS INFORMATION THAT IS PROPRIETARY TO MOLEX ELECTRONIC TECHNOLOGIES, LLC AND SHOULD NOT BE USED WITHOUT WRITTEN PERMISSION									
	= 0	mm	SCALE	1:1	CURRENT REV DESC:					molex									
	= 0	GENERAL TOLERANCES (UNLESS SPECIFIED)			EC NO: 612618														
	= 0	ANGULAR TOL ± 1.0°			DRWN: SHANDITHAVAL 2019/02/22														
	= 0	4 PLACES ±			CHK'D: RBAUMAN 2019/02/23														
	= 0	3 PLACES ±			APPR: RBAUMAN 2019/02/23														
	= 0	2 PLACES ± 0.13			INITIAL REVISION:														
	= 0	1 PLACE ± 0.25			DRWN: JDUNAJ 2009/03/10														
	= 0	0 PLACES ±			APPR: SMARCEAU 2009/03/11														
	= 0	DRAFT WHERE APPLICABLE MUST REMAIN WITHIN DIMENSIONS			THIRD ANGLE PROJECTION		DRAWING		SERIES		DOCUMENT NUMBER		DOC TYPE		DOC PART		REVISION		
	= 0					D-SIZE		34708		SD-34708-300		PSD		001		U8			
										MATERIAL NUMBER		CUSTOMER		SHEET NUMBER					
												GENERAL MARKET		1 OF 6					

DIMENSIONAL CHART FOR MULTIBAY CONFIGURATION:

3 BAY PART NUMBER (TUBE PKG)	3 BAY PART NUMBER (TRAY PKG)	BAY A			BAY B			BAY C			DIM 'A'	DIM 'B'	DIM 'C'	DIM 'D'	DIM 'E'
		CKT	TYPE	POL	CKT	TYPE	POL	CKT	TYPE	POL					
	34708-3000	16	0.64mm	B	16	0.64mm	A	12	0.64mm	B	79.52	77.05	22.86	22.86	17.78
	34708-3001	20	0.64mm	A	20	0.64mm	B	12	0.64mm	A	89.86	87.21	27.94	27.94	17.78
	34708-3002	20	0.64mm	A	20	0.64mm	B	14	HYBRID	C	99.84	97.37	27.94	27.94	27.94
	34708-3003	10	HYBRID	A	16	0.64mm	A	8	0.64mm	C	79.52	77.05	27.94	22.86	12.70
	34708-3004	16	0.64mm	A	16	0.64mm	B	16	0.64mm	C	84.60	82.13	22.86	22.86	22.86
	34708-3006	20	0.64mm	D	20	0.64mm	B	20	0.64mm	C	99.84	97.37	27.94	27.94	27.94
TBD	34708-3007	20	0.64mm	A	12	0.64mm	A	20	0.64mm	D	89.68	87.21	27.94	17.78	27.94
TBD	347083008	20	0.64mm	A	10	HYBRID	B	10	HYBRID	A	99.84	97.37	27.94	27.94	27.94
34708-8010	34708-3010	20	0.64mm	A	20	0.64mm	B	16	0.64mm	A	94.76	92.29	27.94	27.94	22.86
TBD	34708-3020	10	HYBRID	A	20	0.64mm	B	20	0.64mm	C	99.84	97.37	27.94	27.94	27.94
TBD	34708-3021	10	HYBRID	A	20	0.64mm	C	20	0.64mm	D	99.84	97.37	27.94	27.94	27.94
TBD	34708-3022	20	0.64mm	B	16	0.64mm	C	10	HYBRID	A	94.76	92.29	27.94	22.86	27.94
TBD	34708-3030	16	0.64mm	A	12	0.64mm	A	10	HYBRID	A	84.60	82.13	22.86	17.78	27.94
TBD	34708-3040	20	0.64mm	A	8	0.64mm	A	10	HYBRID	A	84.60	82.13	27.94	12.70	27.94
TBD	34708-3050	10	HYBRID	A	16	0.64mm	B	16	0.64mm	C	89.68	87.21	27.94	22.86	22.86
TBD	34708-3060	16	0.64mm	A	20	0.64mm	C	20	0.64mm	D	94.76	92.29	22.86	27.94	27.94
34708-8070	34708-3070	20	0.64mm	A	20	0.64mm	B	10	HYBRID	A	99.84	97.37	27.94	27.94	27.94
TBD	34708-3071	20	0.64mm	A	10	HYBRID	A	10	HYBRID	B	99.84	97.37	27.94	27.94	27.94
TBD	34708-3080	12	0.64mm	A	12	0.64mm	B	16	0.64mm	A	74.44	71.97	17.78	17.78	22.86
TBD	34708-3081	20	0.64mm	D	12	0.64mm	B	20	0.64mm	C	89.68	87.21	27.94	17.78	27.94
TBD	34708-3082	12	0.64mm	C	8	0.64mm	A	8	0.64mm	B	59.20	56.73	17.78	12.70	12.70
TBD	34708-3083	8	0.64mm	C	16	0.64mm	B	16	0.64mm	C	74.44	71.97	12.70	22.86	22.86
TBD	34708-3084	16	0.64mm	A	8	0.64mm	A	8	0.64mm	B	64.28	61.81	22.86	12.70	12.70
TBD	34708-3085	20	0.64mm	A	20	0.64mm	B	20	0.64mm	C	99.84	97.37	27.94	27.94	27.94
TBD	34708-3086	20	0.64mm	A	20	0.64mm	B	8	0.64mm	A	84.60	82.13	27.94	27.94	12.70
TBD	34708-3087	20	0.64mm	A	16	0.64mm	A	8	0.64mm	A	79.52	77.05	27.94	22.86	12.70
TBD	34708-3088	12	0.64mm	A	16	0.64mm	A	12	0.64mm	B	74.44	71.97	17.78	22.86	17.78
TBD	34708-3089	16	0.64mm	A	16	0.64mm	B	20	0.64mm	A	89.68	87.21	22.86	22.86	27.94
TBD	34708-3090	16	0.64mm	C	16	0.64mm	A	8	0.64mm	B	74.44	71.97	22.86	22.86	12.70
TBD	34708-3091	20	0.64mm	C	12	0.64mm	C	16	0.64mm	B	84.60	82.13	27.94	17.78	22.86
TBD	34708-3092	12	0.64mm	B	8	0.64mm	C	20	0.64mm	D	74.44	71.97	17.78	12.70	27.94
TBD	34708-3093	16	0.64mm	B	16	0.64mm	A	8	0.64mm	A	74.44	71.97	22.86	22.86	12.70
TBD	34708-3094	20	0.64mm	D	20	0.64mm	B	8	0.64mm	A	84.60	82.13	27.94	27.94	12.70
TBD	34708-3095	20	0.64mm	A	16	0.64mm	C	12	0.64mm	B	84.60	82.13	27.94	22.86	17.78
TBD	34708-3096	16	0.64mm	A	16	0.64mm	B	20	0.64mm	C	89.68	87.21	22.86	22.86	27.94
TBD	34708-3097	16	0.64mm	C	12	0.64mm	B	20	0.64mm	A	84.60	82.13	22.86	17.78	27.94
TBD	34708-3098	20	0.64mm	B	20	0.64mm	C	20	0.64mm	D	99.84	97.37	27.94	27.94	27.94

SYMBOLS	THIS DRAWING CONTAINS INFORMATION THAT IS PROPRIETARY TO MOLEX ELECTRONIC TECHNOLOGIES, LLC AND SHOULD NOT BE USED WITHOUT WRITTEN PERMISSION	
	DIMENSION UNITS	SCALE
▽ = 0	mm	1:1
▽ = 0	GENERAL TOLERANCES (UNLESS SPECIFIED)	
▽ = 0	ANGULAR TOL ± 1.0°	
▽ = 0	4 PLACES	±
▽ = 0	3 PLACES	±
▽ = 0	2 PLACES	± 0.13
▽ = 0	1 PLACE	± 0.25
▽ = 0	0 PLACES	±
■ = 0	DRAFT WHERE APPLICABLE MUST REMAIN WITHIN DIMENSIONS	
▽ = 0	THIRD ANGLE PROJECTION	DRAWING
	D-SIZE	SERIES
	34708	
CURRENT REV DESC:		
EC NO: 612618		
DRWN: SHANDITHAVAL		2019/02/22
CHK'D: RBAUMAN		2019/02/23
APPR: RBAUMAN		2019/02/23
INITIAL REVISION:		
DRWN: JDUNAJ		2009/03/10
APPR: SMARCEAU		2009/03/11
DOCUMENT NUMBER		DOC TYPE DOC PART REVISION
SD-34708-300		PSD 001 U8
MATERIAL NUMBER		CUSTOMER
GENERAL MARKET		SHEET NUMBER
		2 OF 6



3-BAY STAC64 RIGHT ANGLE
HEADER ASSEMBLY SALES DRAWING

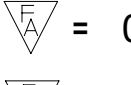
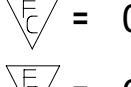
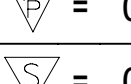

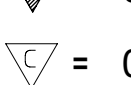
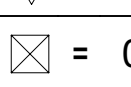

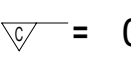


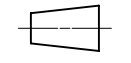
PRODUCT CUSTOMER DRAWING

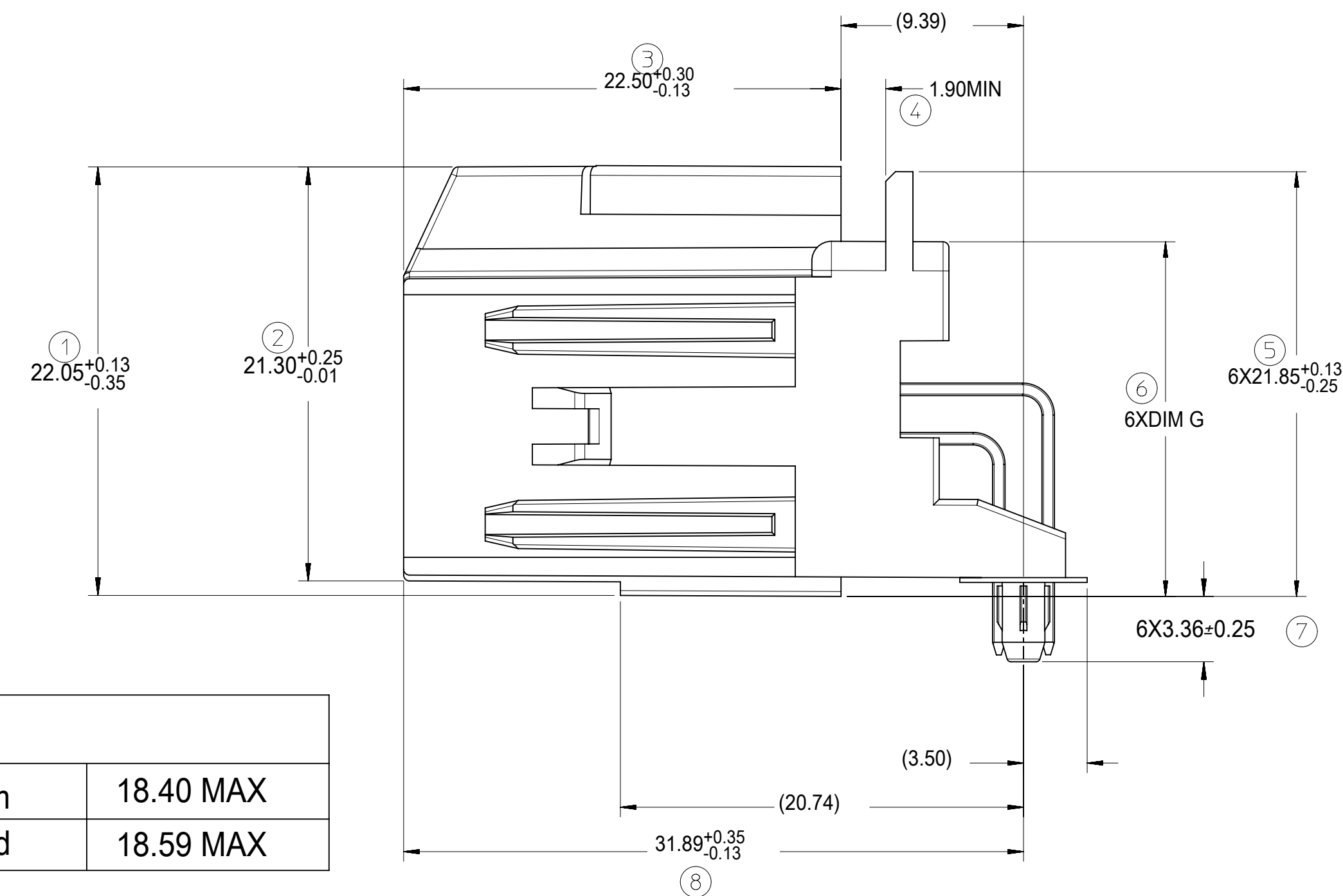
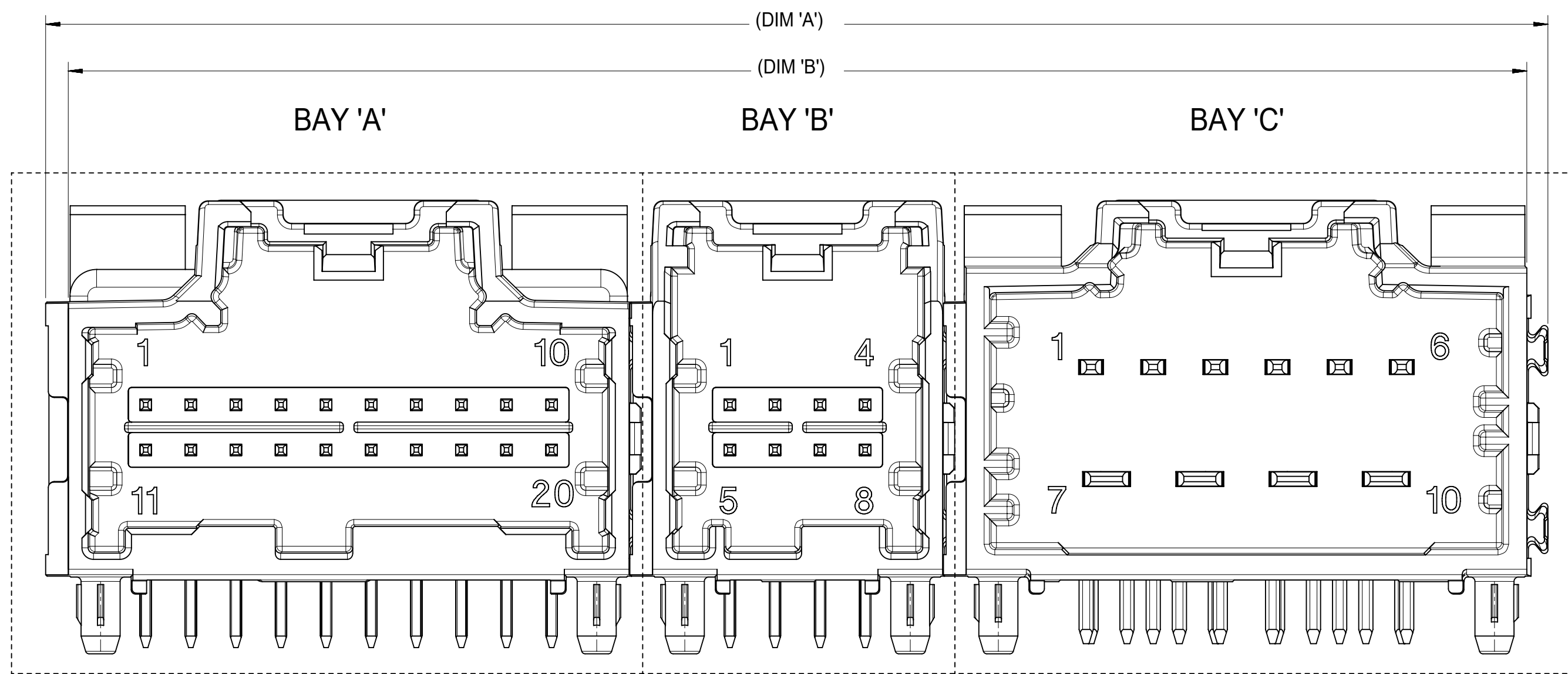
DOCUMENT NUMBER: SD-34708-300
DOC TYPE: PSD
DOC PART: 001
REVISION: U8

MATERIAL NUMBER: GENERAL MARKET
CUSTOMER: GENERAL MARKET
SHEET NUMBER: 2 OF 6

DIMENSIONAL CHART FOR MULTIBAY CONFIGURATION:

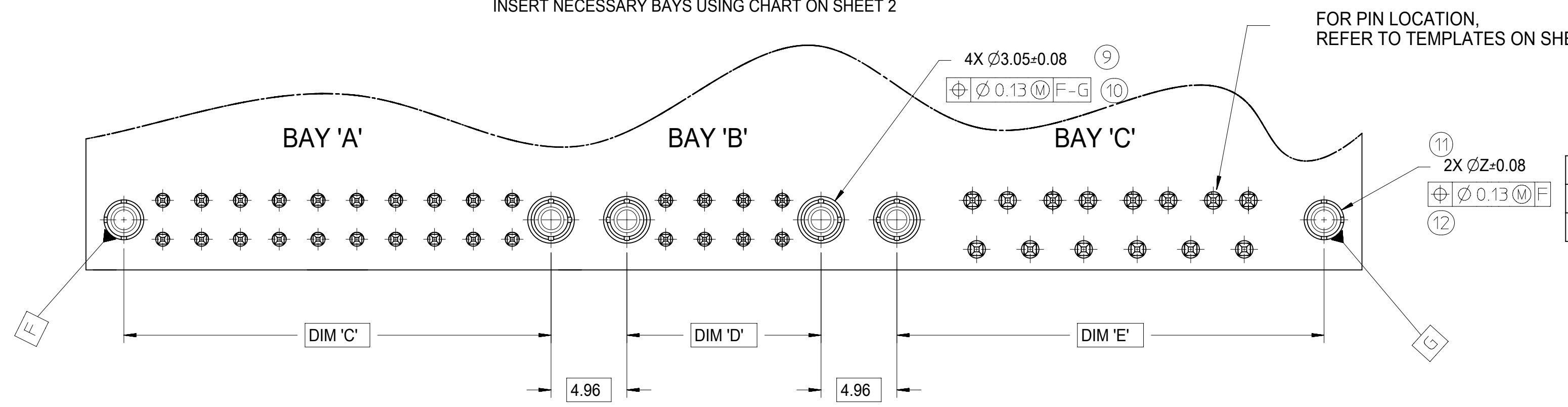
3 BAY PART NUMBER (TUBE PKG)	3 BAY PART NUMBER (TRAY PKG)	BAY A			BAY B			BAY C			DIM 'A'	DIM 'B'	DIM 'C'	DIM 'D'	DIM 'E'
		CKT	TYPE	POL	CKT	TYPE	POL	CKT	TYPE	POL					
	34708-3099	10	HYBRID	A	20	0.64mm	D	10	HYBRID	B	99.84	97.37	27.94	27.94	27.94

SYMBOLS  = 0  = 0  = 0  = 0  = 0  = 0  = 0  = 0	THIS DRAWING CONTAINS INFORMATION THAT IS PROPRIETARY TO MOLEX ELECTRONIC TECHNOLOGIES, LLC AND SHOULD NOT BE USED WITHOUT WRITTEN PERMISSION		DIMENSION UNITS: mm		SCALE: 1:1		CURRENT REV DESC:											
	GENERAL TOLERANCES (UNLESS SPECIFIED)		EC NO: 612618		DRWN: SHANDITHAVAL 2019/02/22		CHK'D: RBAUMAN 2019/02/23						3-BAY STAC64 RIGHT ANGLE HEADER ASSEMBLY SALES DRAWING					
	ANGULAR TOL ± 1.0°		4 PLACES ±		APPR: RBAUMAN 2019/02/23		INITIAL REVISION:		PRODUCT CUSTOMER DRAWING									
	3 PLACES ±		2 PLACES ± 0.13		DRWN: JDUNAJ 2009/03/10		APPR: SMARCEAU 2009/03/11		DOCUMENT NUMBER: SD-34708-300		DOC TYPE: PSD		DOC PART: 001		REVISION: U8			
	2 PLACES ± 0.25		1 PLACE ±		DRAFT WHERE APPLICABLE MUST REMAIN WITHIN DIMENSIONS		THIRD ANGLE PROJECTION		DRAWING: D-SIZE		SERIES: 34708		MATERIAL NUMBER:		CUSTOMER: GENERAL MARKET		SHEET NUMBER: 6 OF 6	
	1 PLACE ±		0 PLACES ±						3		2		1		1			



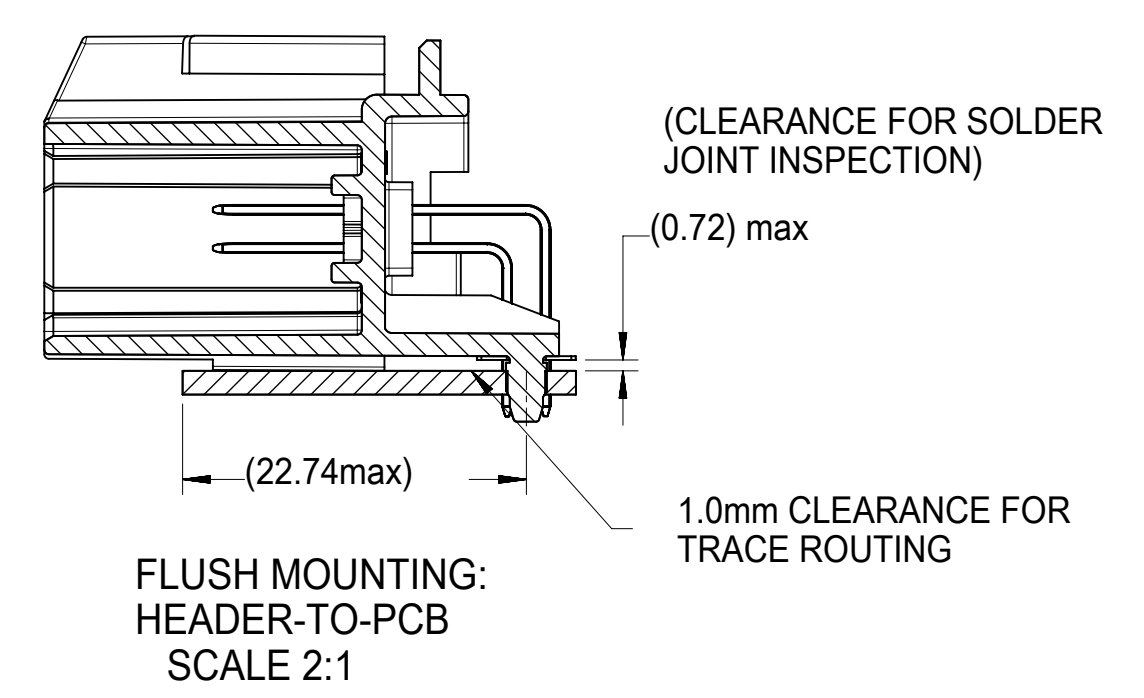
FOR DIM G:	
8-20CKT 0.64mm	18.40 MAX
10/14CKT Hybrid	18.59 MAX

RECOMMENDED PCB LAYOUT
 INSERT NECESSARY BAYS USING CHART ON SHEET 2



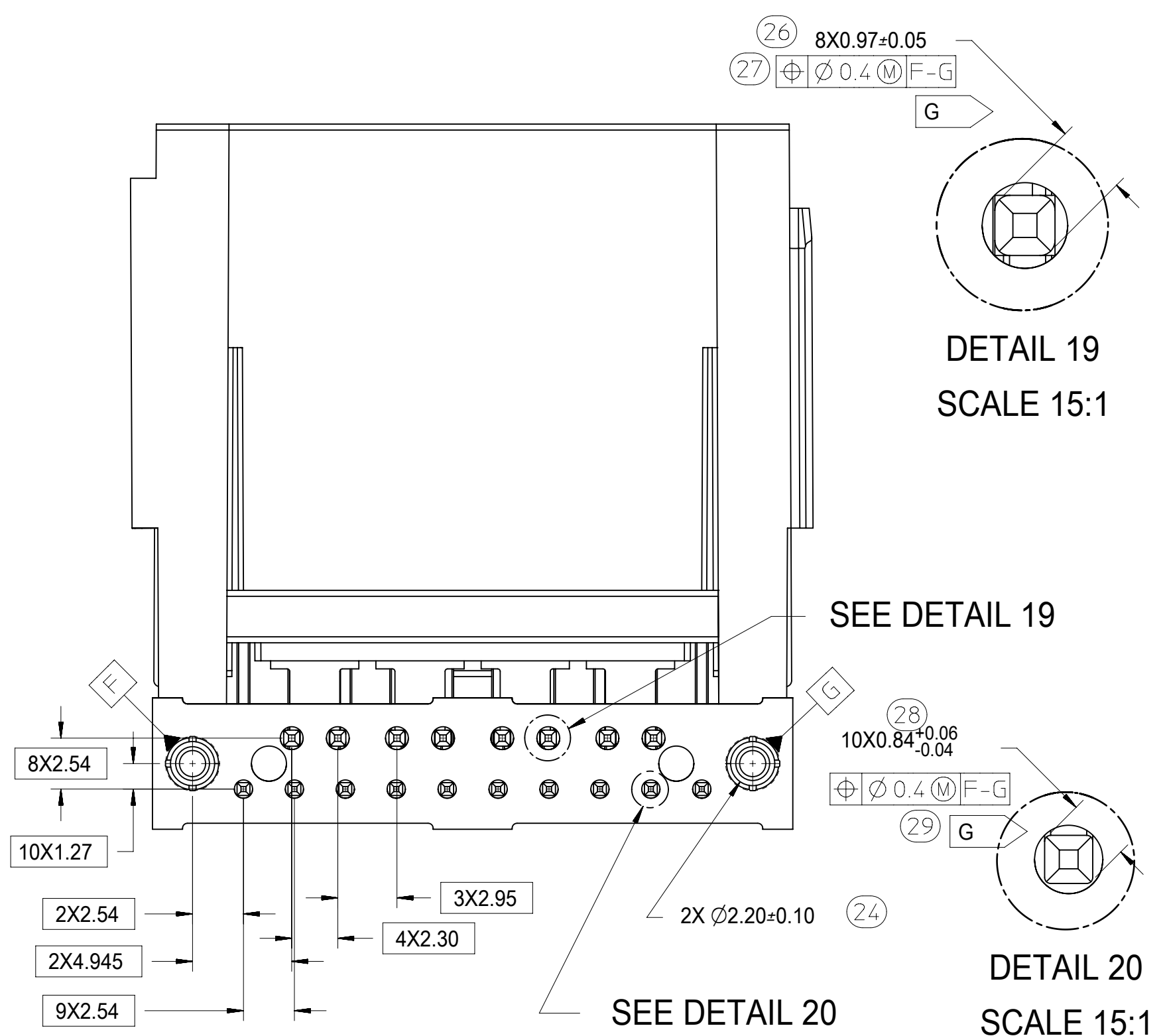
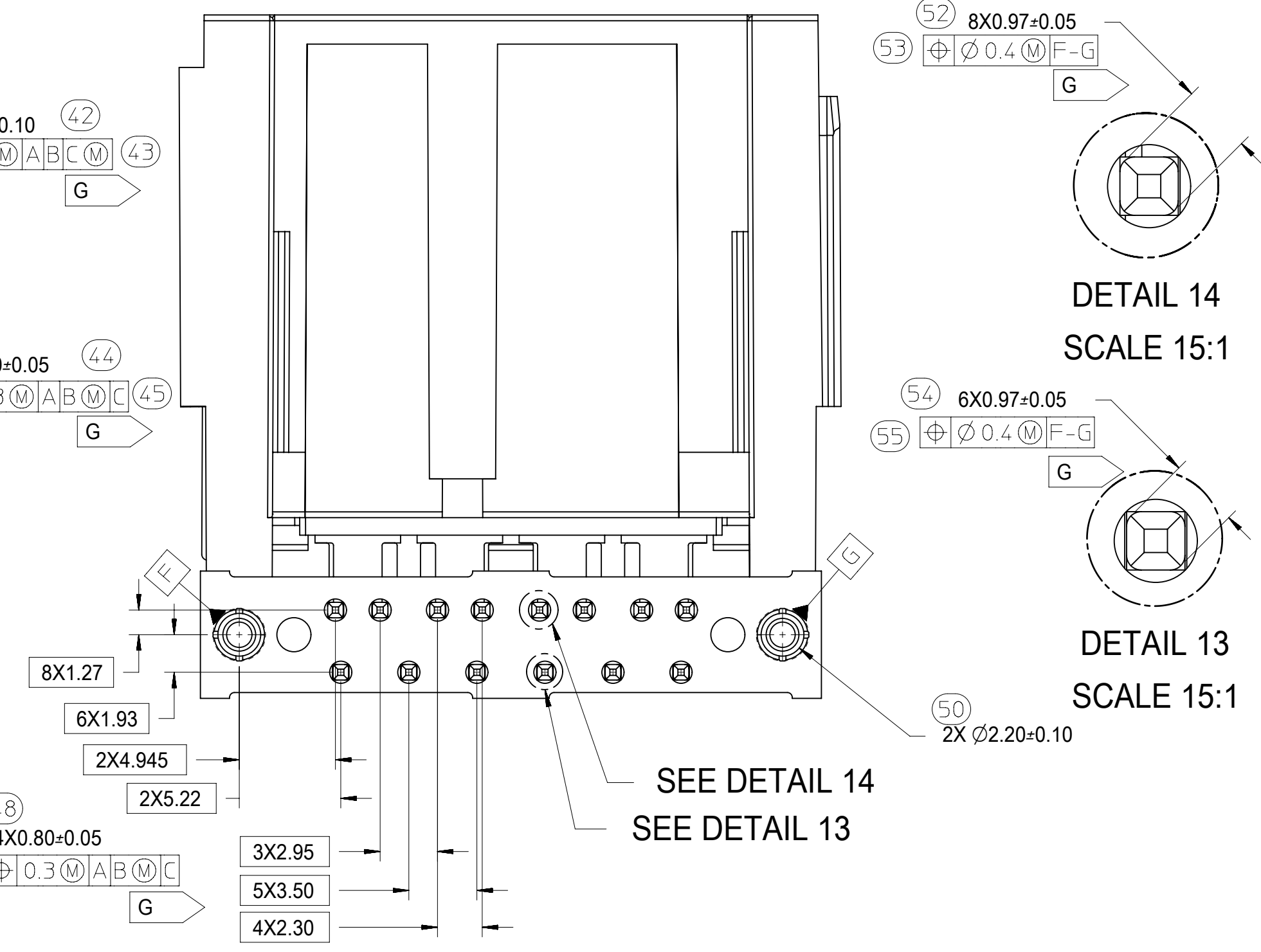
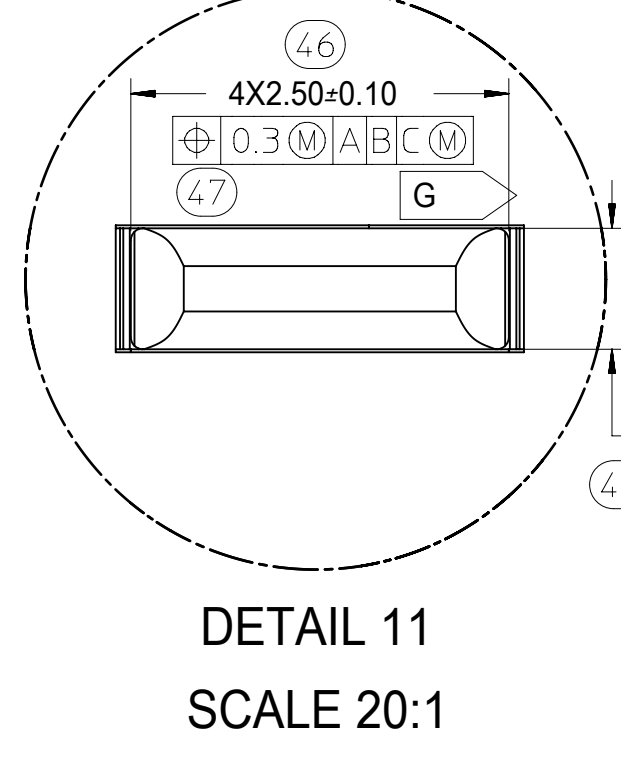
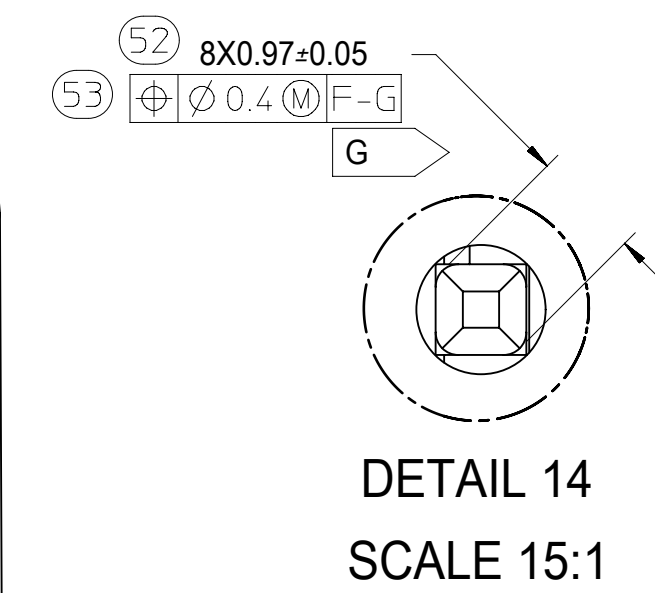
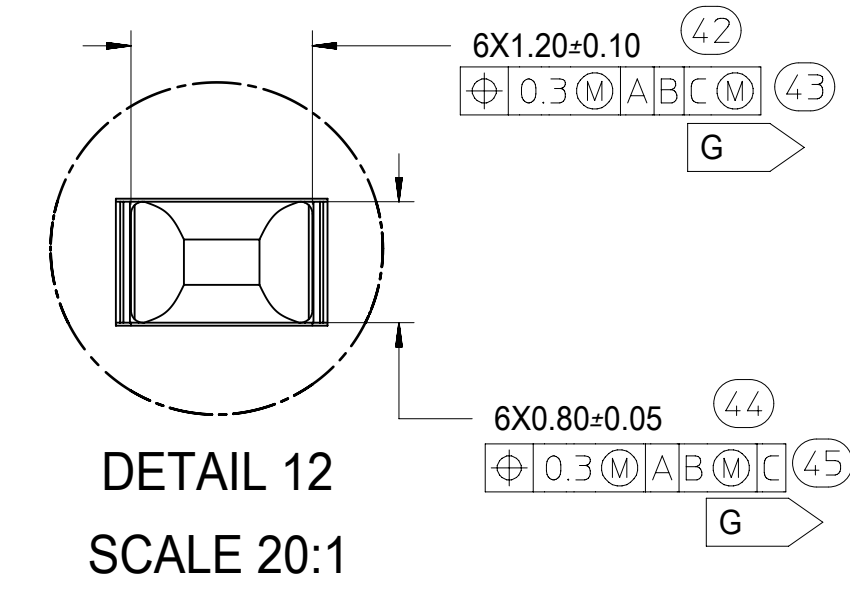
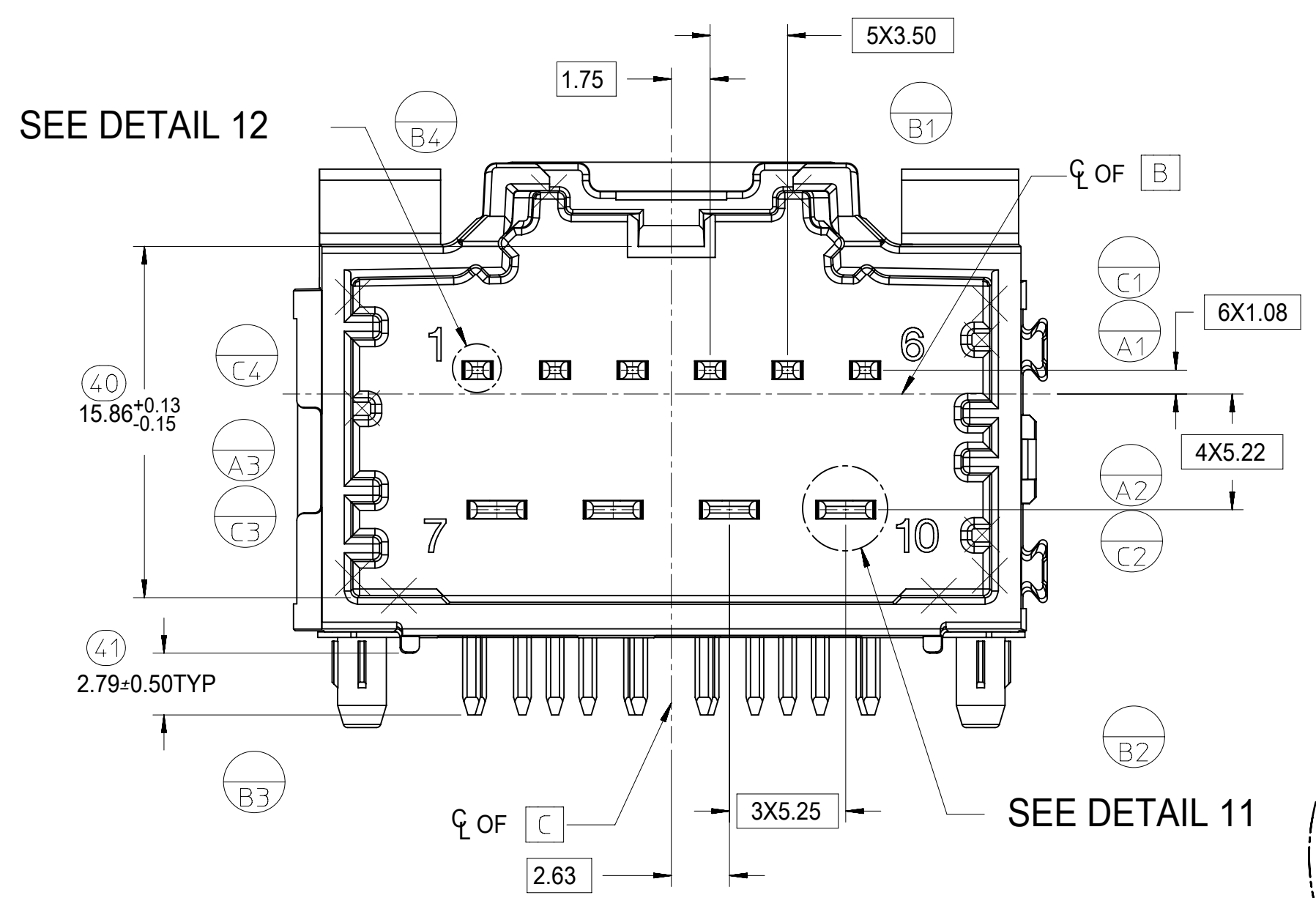
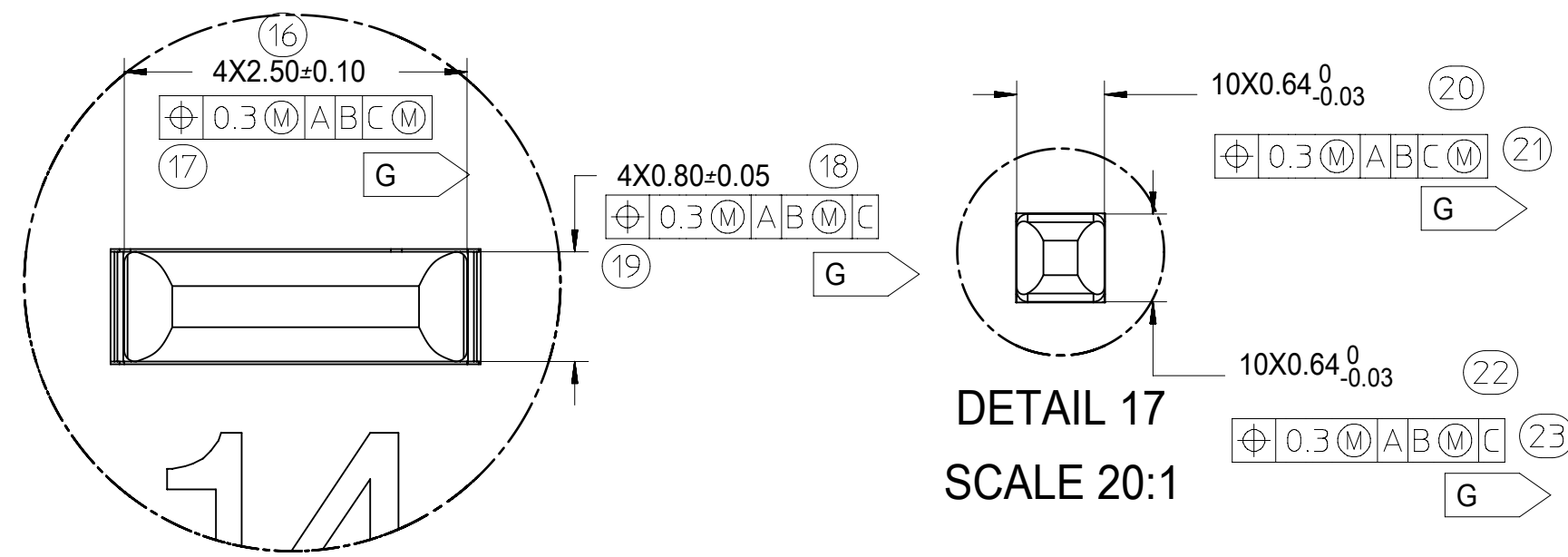
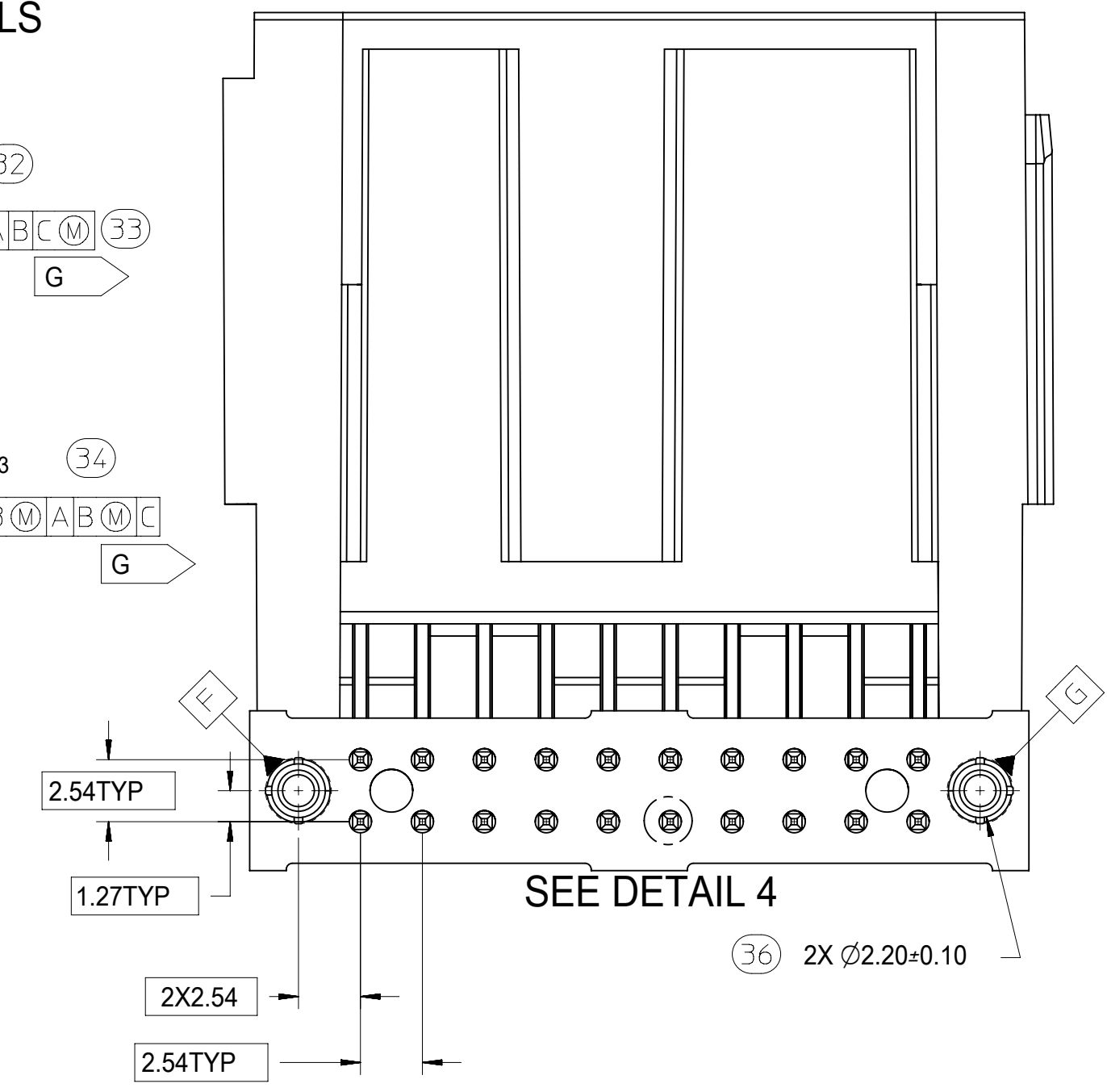
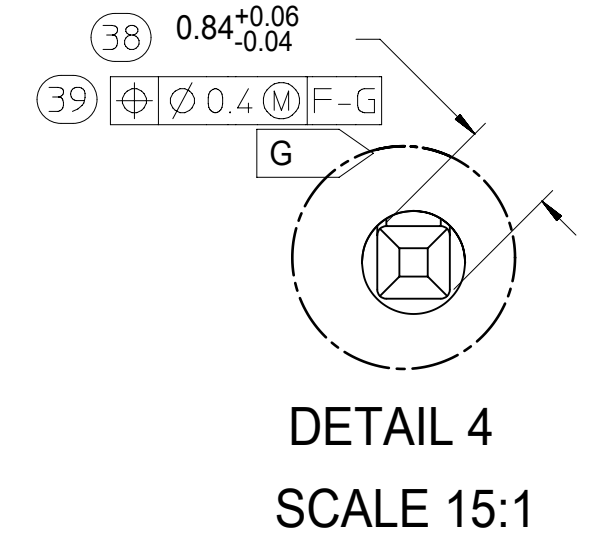
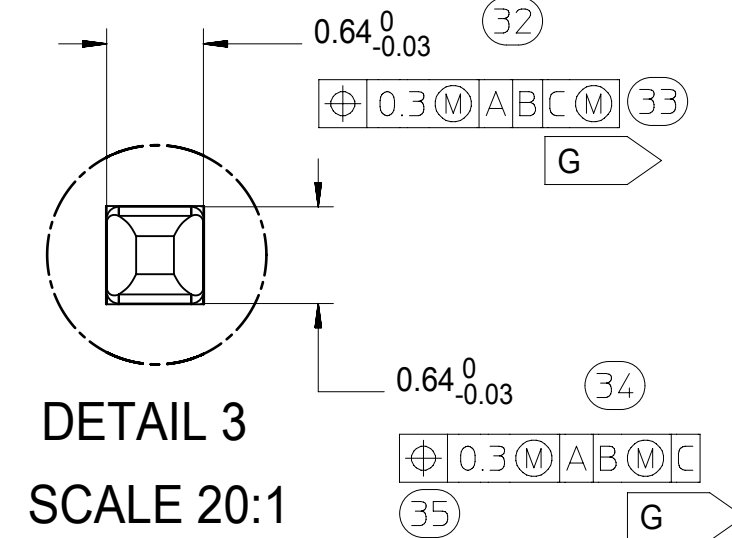
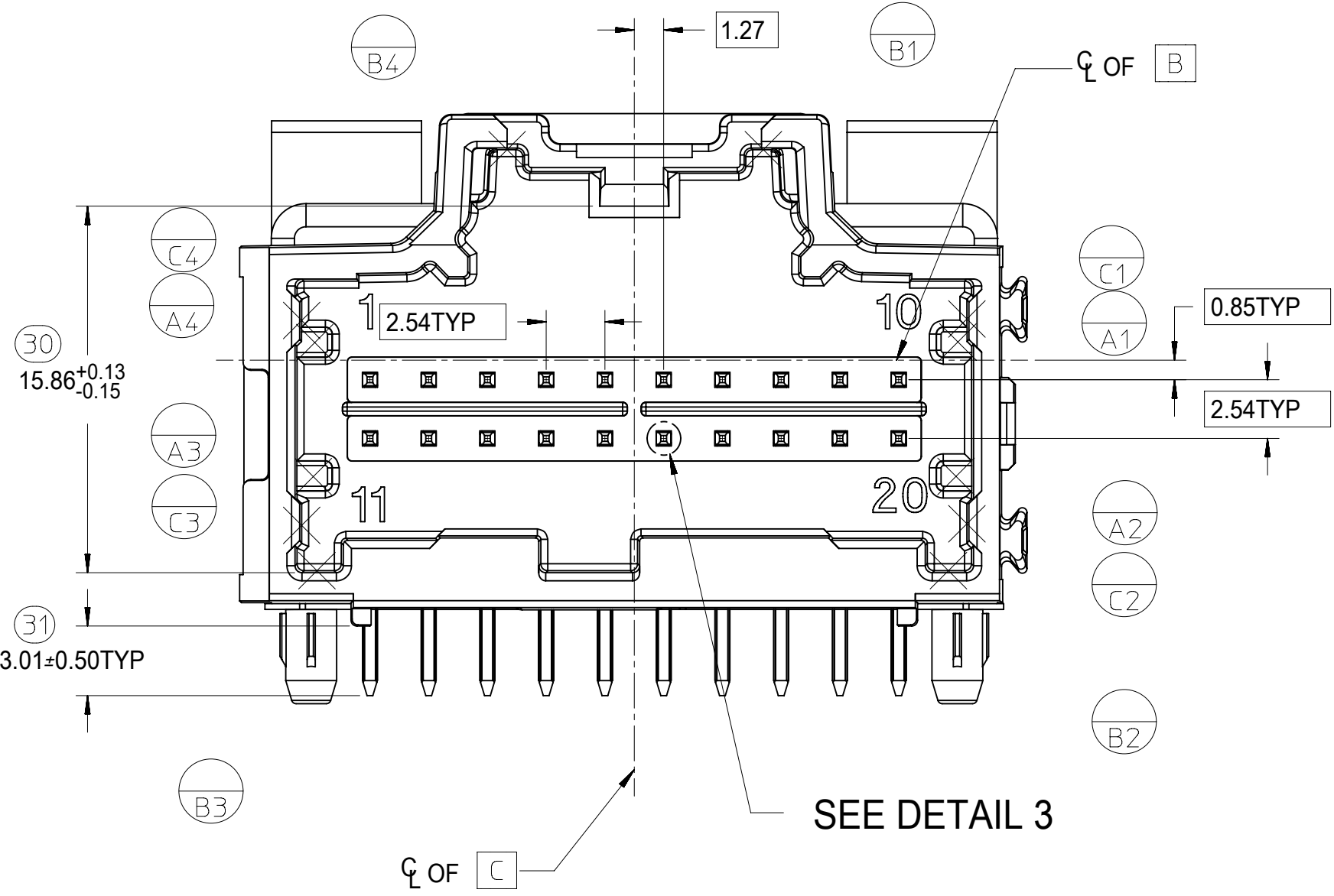
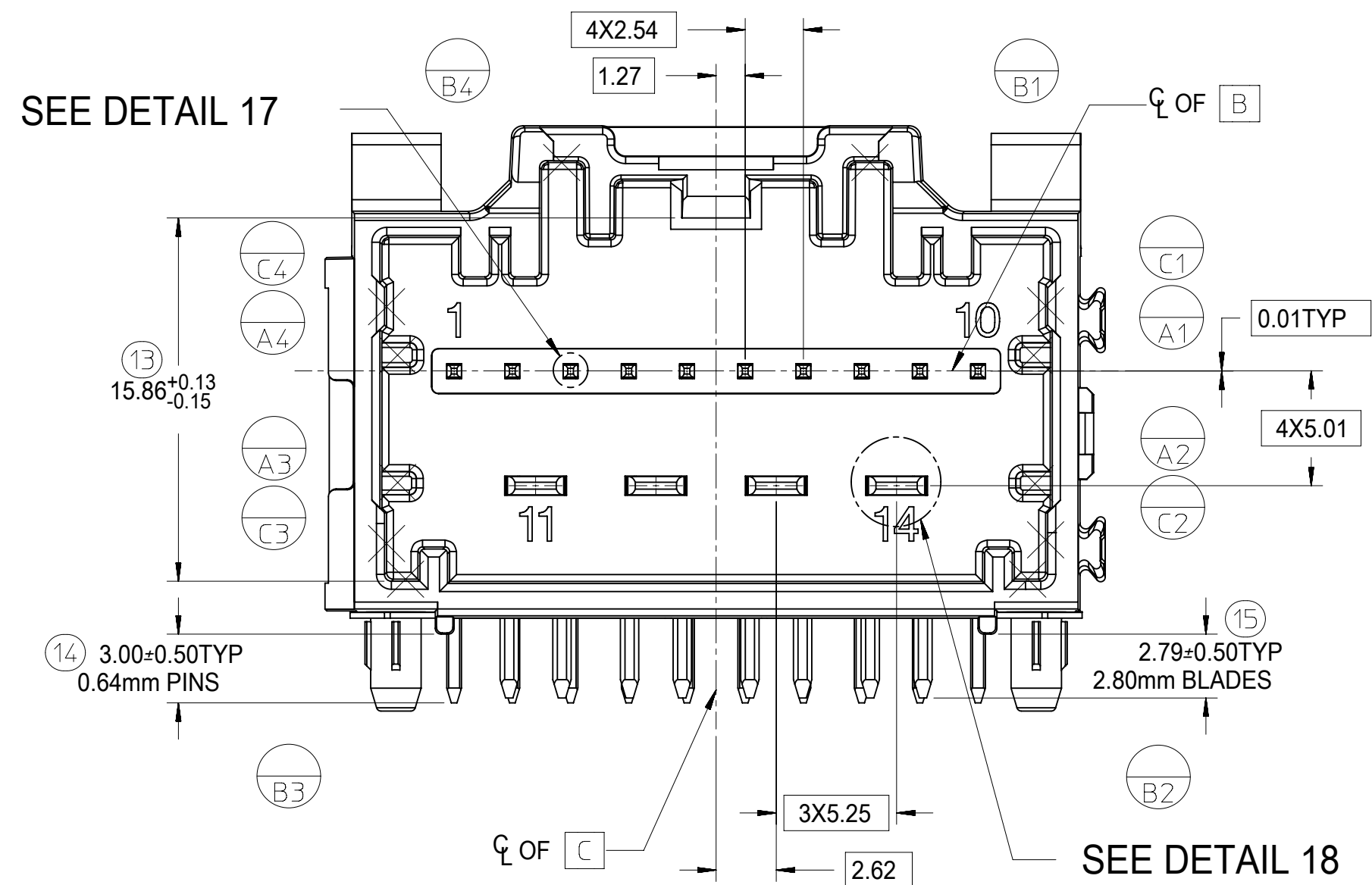
POST HOLE TABLE:	
FOR DIM Z:	
PRESS FIT:	2.60
DROP IN:	3.05

ALL CIRCUIT SIZES



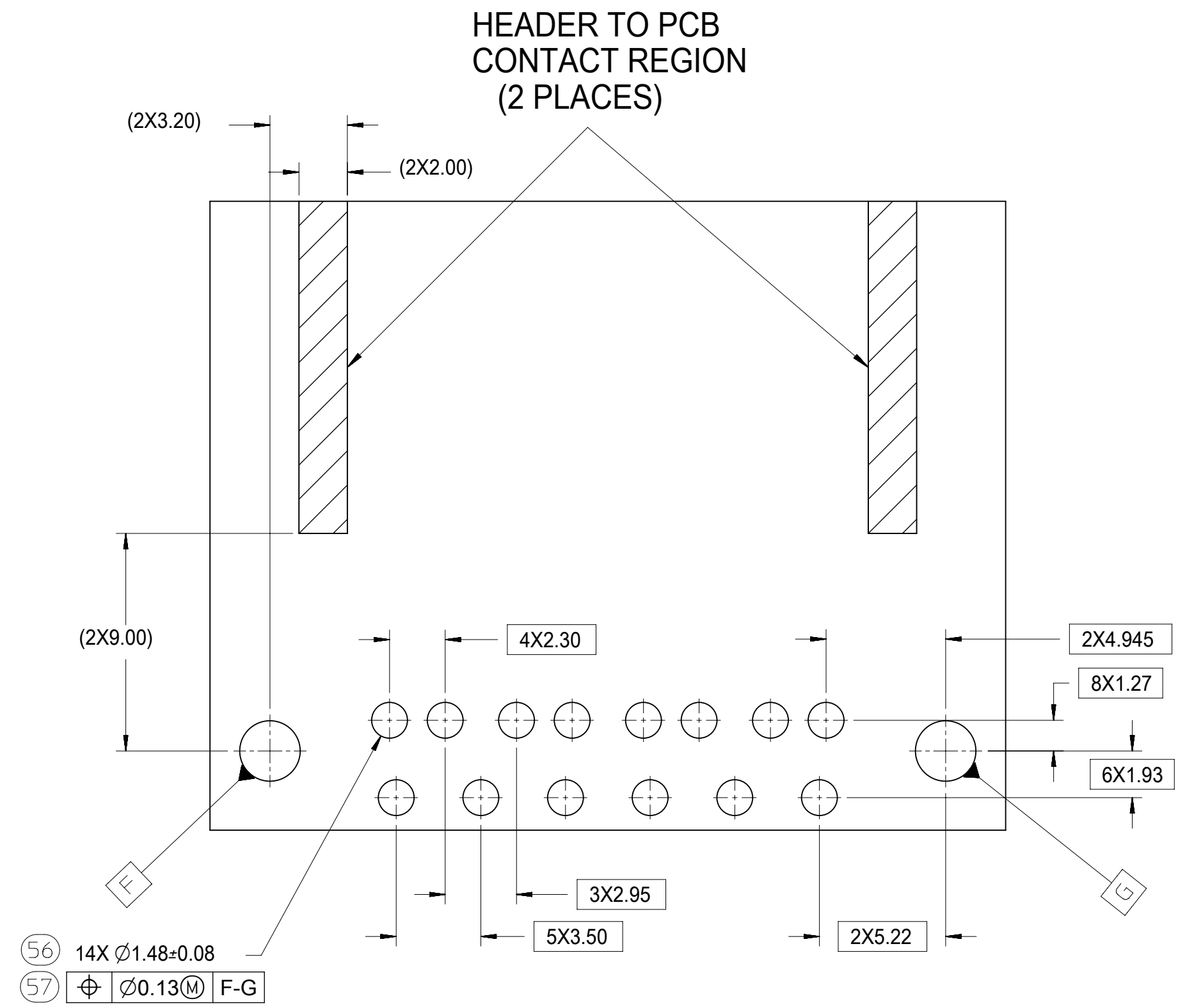
SYMBOLS		THIS DRAWING CONTAINS INFORMATION THAT IS PROPRIETARY TO MOLEX ELECTRONIC TECHNOLOGIES, LLC AND SHOULD NOT BE USED WITHOUT WRITTEN PERMISSION												
▽ = 0	mm	SCALE	CURRENT REV DESC:								molex			
▽ = 0	GENERAL TOLERANCES (UNLESS SPECIFIED)		EC NO: 612618 DRWN: SHANDITHAVAL 2019/02/22 CHK'D: RBAUMAN 2019/02/23 APPR: RBAUMAN 2019/02/23											
▽ = 0	ANGULAR TOL ± 1.0°													
▽ = 0	4 PLACES ±		PRODUCT CUSTOMER DRAWING											
▽ = 0	3 PLACES ±		DOCUMENT NUMBER		DOC TYPE	DOC PART	REVISION	SD-34708-300				PSD	001	U8
▽ = 0	2 PLACES ± 0.13		INITIAL REVISION:		2009/03/10		2009/03/11		MATERIAL NUMBER		CUSTOMER		SHEET NUMBER	
▽ = 0	1 PLACE ± 0.25		DRWN: JDUNAJ		2009/03/10		2009/03/11		SERIES		GENERAL MARKET		3 OF 6	
▽ = 0	0 PLACES ±		DRWN: SMARCEAU						D-WAY					
▽ = 0	DRAFT WHERE APPLICABLE MUST REMAIN WITHIN DIMENSIONS		THIRD ANGLE PROJECTION		DRAWING		SERIES		MATERIAL NUMBER		CUSTOMER		SHEET NUMBER	

8-20 CKT 0.64mm HEADER DETAILS

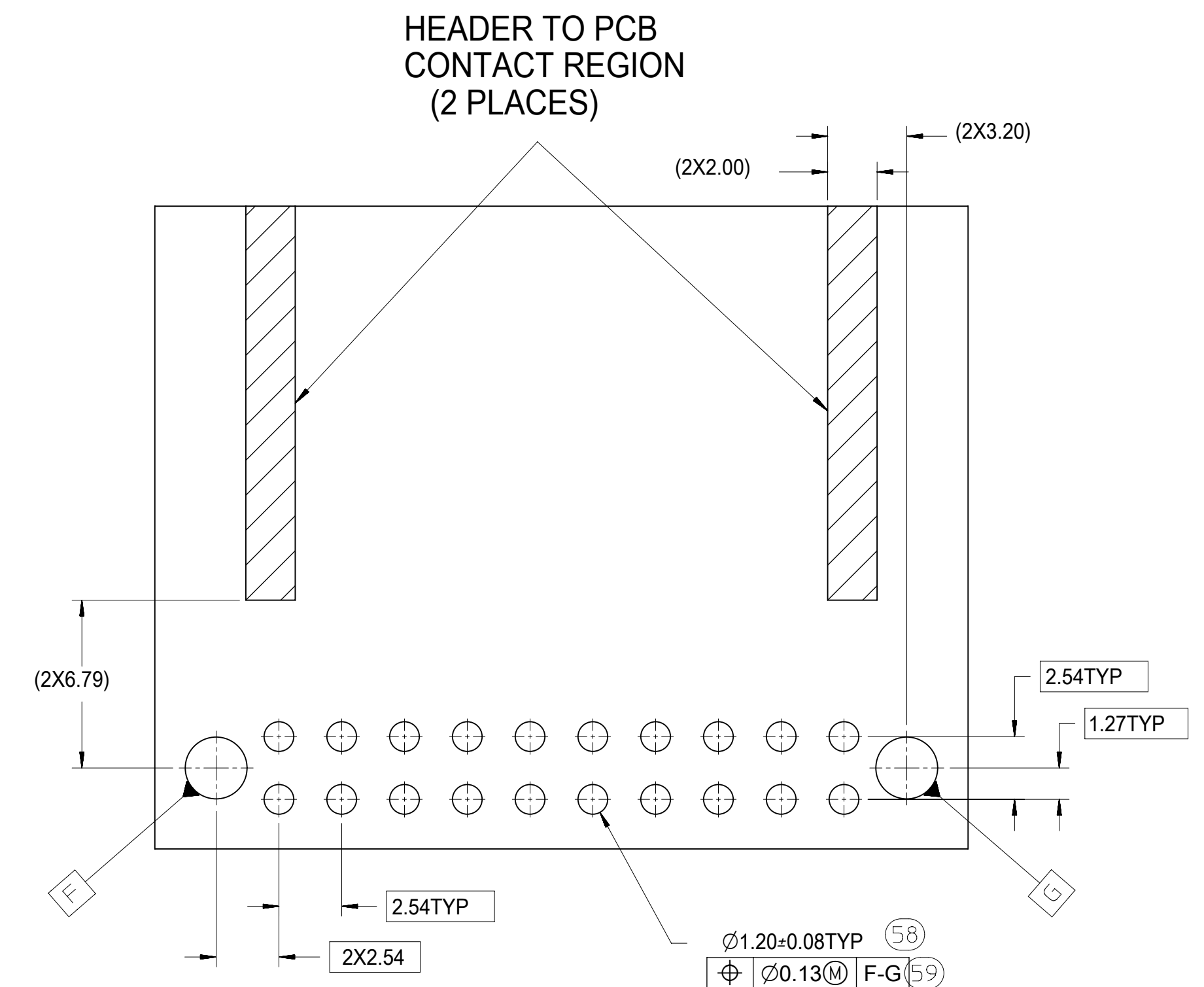


SYMBOLS	THIS DRAWING CONTAINS INFORMATION THAT IS PROPRIETARY TO MOLEX ELECTRONIC TECHNOLOGIES, LLC AND SHOULD NOT BE USED WITHOUT WRITTEN PERMISSION		CURRENT REV DESC:	
	DIMENSION UNITS	SCALE		
▽ = 0	mm	1:1		
▽ = 0	GENERAL TOLERANCES (UNLESS SPECIFIED)			
▽ = 0	ANGULAR TOL ± 1.0°			
▽ = 0	4 PLACES ±			
▽ = 0	3 PLACES ±			
▽ = 0	2 PLACES ± 0.13			
▽ = 0	1 PLACE ± 0.25			
▽ = 0	0 PLACES ±			
▽ = 0	DRAFT WHERE APPLICABLE MUST REMAIN WITHIN DIMENSIONS		THIRD ANGLE PROJECTION	DRAWING SERIES
▽ = 0			D-SIZE	34708
DOCUMENT STATUS			DOCUMENT NUMBER	DOC TYPE
P1	RELEASE DATE	2019/02/23 23:33:02	SD-34708-300	PSD
			DOC PART	REVISION
			001	U8
			CUSTOMER	SHEET NUMBER
			GENERAL MARKET	4 OF 6

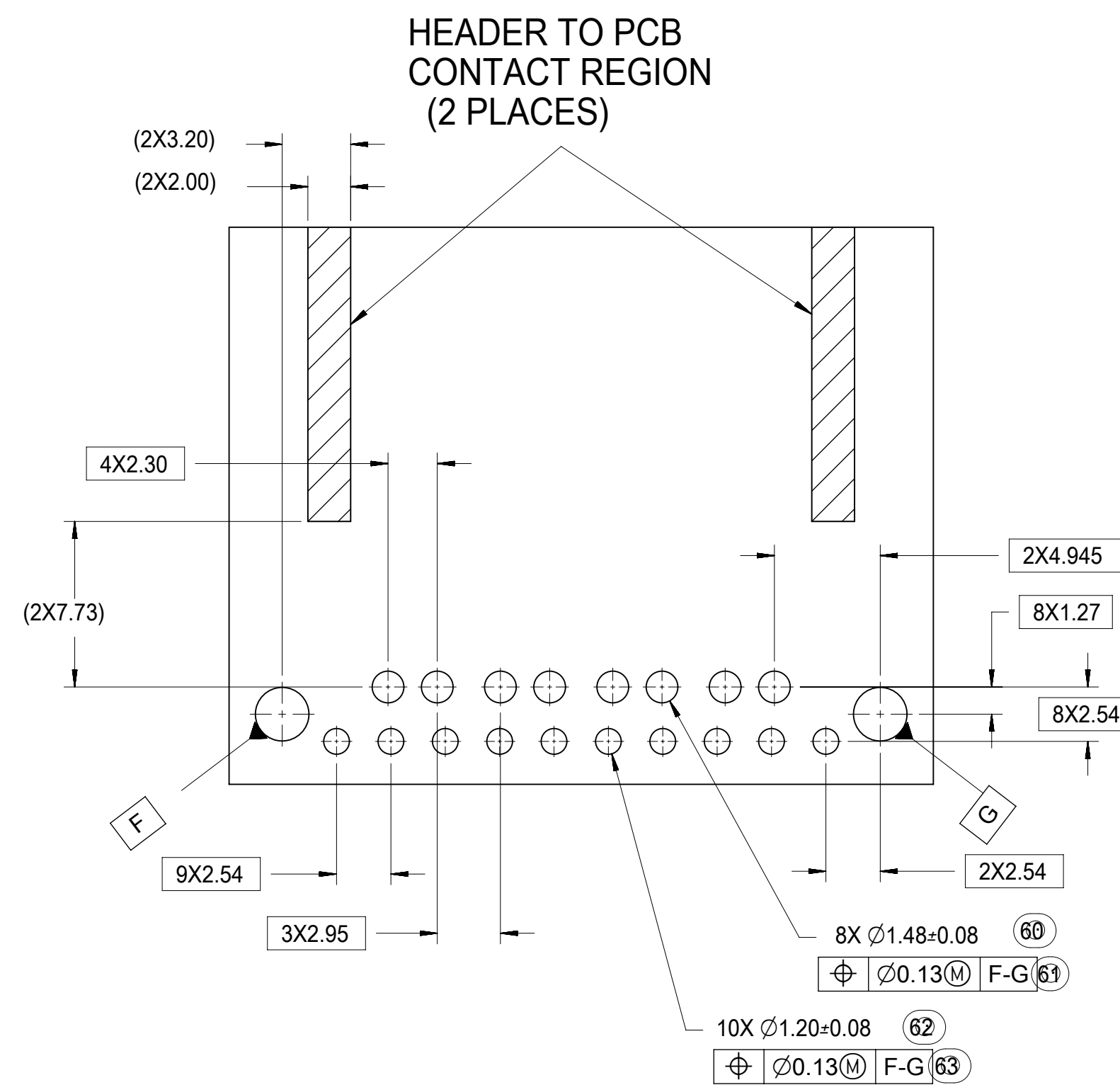
10 CKT HYBRID TEMPLATE PCB LAYOUT



8-20 CKT 0.64mm TEMPLATE PCB LAYOUT



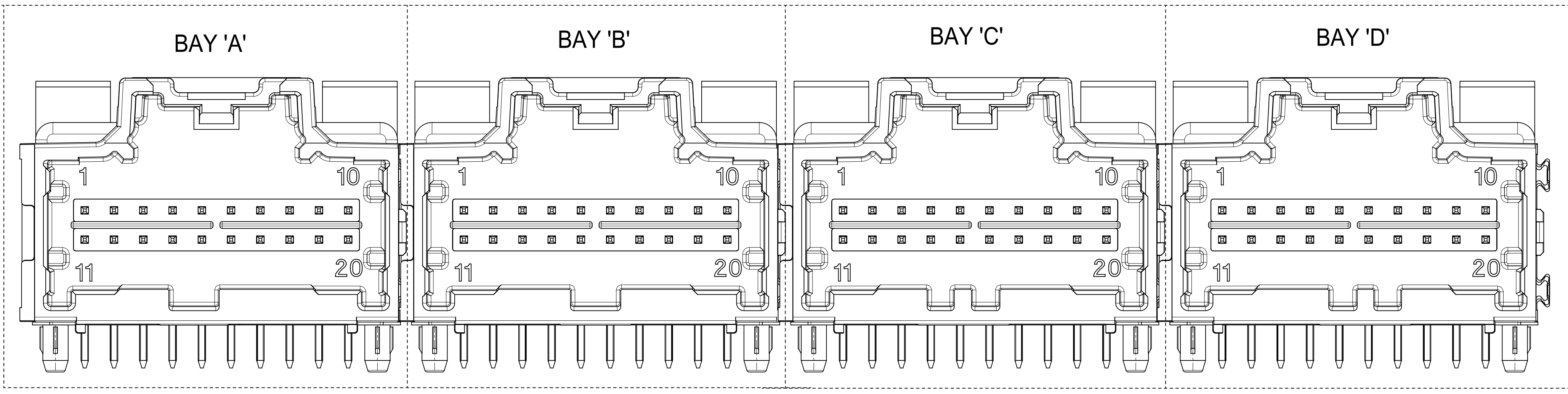
14 CKT HYBRID TEMPLATE PCB LAYOUT



SYMBOLS	THIS DRAWING CONTAINS INFORMATION THAT IS PROPRIETARY TO MOLEX ELECTRONIC TECHNOLOGIES, LLC AND SHOULD NOT BE USED WITHOUT WRITTEN PERMISSION		
	DIMENSION UNITS	SCALE	CURRENT REV DESC:
▽ = 0	mm	1:1	
▽ = 0	GENERAL TOLERANCES (UNLESS SPECIFIED)		
▽ = 0	ANGULAR TOL	± 1.0°	
▽ = 0	4 PLACES	±	EC NO: 612618
▽ = 0	3 PLACES	±	DRWN: SHANDITHAVAL 2019/02/22
▽ = 0	2 PLACES	± 0.13	CHK'D: RBAUMAN 2019/02/23
▽ = 0	1 PLACE	± 0.25	APPR: RBAUMAN 2019/02/23
▽ = 0	0 PLACES	±	INITIAL REVISION:
▽ = 0	DRAFT WHERE APPLICABLE MUST REMAIN WITHIN DIMENSIONS		
▽ = 0	THIRD ANGLE PROJECTION	DRAWING	SERIES
		D-SIZE	34708
DOCUMENT NUMBER		DOC TYPE	DOC PART
SD-34708-300		PSD	001
CUSTOMER		REVISION	
GENERAL MARKET		U8	
SHEET NUMBER		5 OF 6	

TABLE OF CONTENTS	
1	NOTES, INSPECTION BALLOON NUMBER LOG, REV.TABLE, 4 BAY ASSEMBLY VIEW
2	DIMENSIONAL CHART FOR MULTIBAY CONFIGURATION
3	4 BAY ASSEMBLY VIEW, RECOMMENDED PCB LAYOUT, FLUSH MOUNTING VIEW, POST HOLE TABLE, DIMENSION DETAILS
4	8-20CKT 0.64MM HEADER DETAILS, 14CKT HYBRID HEADER DETAILS, 10CKT HYBRID HEADER DETAILS
5	RECOMMENDED SINGLE PCB LAYOUT FOR 10CKT HYBRID, 14CKT HYBRID, AND 8-20CKT 0.64MM

4 BAY STAC64 RIGHT ANGLE HEADER ASSEMBLY (P/N: 34708-4000 SHOWN)



(P1) NOTES: VALID UNLESS OTHERWISE SPECIFIED

1. GENERAL:
 - a. CONNECTOR HEADER MUST BE VALIDATED TO THE FOLLOWING FUNCTIONAL REQUIREMENTS:
 PRODUCT SPECIFICATION:
 8-20 CKT 0.64 PRODUCT SPEC: PS-34729-020/PS-31408-100
 10 CKT HYBRID PRODUCT SPEC: PS-31372-100
 14 CKT HYBRID PRODUCT SPEC: PS-34969-100
 - b. APPLICATION REQUIREMENTS (REFERENCE ONLY):
 APPLICATION SPECIFICATION: AS-34729-020/AS-31408-100
 - c. PACKAGING SPECIFICATION PER MOLEX DRAWING PK-31300-892 (TRAY)
 - d. PACKAGING SPECIFICATION PER MOLEX DRAWING PK-31301-063 (TUBE)
 - e. PACKAGING SPECIFICATION PER MOLEX DRAWING PK-31300-894 (ALT TRAY)
2. DESIGN: MATERIALS:
 - a. SHROUD (PLASTIC HOUSING):
RESIN - SPS
 - b. 0.64mm PINS:
BASE MATERIAL: COPPER ALLOY
PLATING TYPE: AS NOTED
 - 1.50/2.80mm BLADES:
BASE MATERIAL: COPPER ALLOY
PLATING TYPE: AS NOTED
3. PLATING REQUIREMENTS:
 - a. UNDERPLATING - OVERALL NICKEL
 - b. OVERPLATING - OVERALL TIN
4. FOR DESCRIPTION OF INDIVIDUAL BAYS, REFER TO THE FOLLOWING SINGLE BAY DRAWINGS:
 8-20 CKT 0.64: SD-34691-100
 10 CKT HYBRID: SD-34696-100
 14 CKT HYBRID: SD-34773-100
5. **G** DENOTES DIMENSIONS THAT MAY BE QUALIFIED WITH A GAUGE.

P1	1. UPDATED NOTES 2. ADDED NEW P/N 34708-4021 IN SHEET 2	660202	2021.05
REV.	REV DESCRIPTION	EC#	DATE

FUNCTIONAL SYMBOLS $\nabla_A = 0$ $\nabla_C = 0$ $\nabla_D = 0$	DIMENSION UNITS mm	SCALE 4:1	CURRENT REV DESC: EC NO: 660202 DRWN: CZHANG118 2021/02/04 CHK'D: CZHANG118 2021/04/09 APPR: JDENG02 2021/05/18 INITIAL REVISION: DRWN: VDANIELE 2008/11/14 APPR: SMARCEAU 2008/11/14	molex				
	GENERAL TOLERANCES (UNLESS SPECIFIED) ANGULAR TOL $\pm 1.0^\circ$			4-BAY STAC64 RIGHT ANGLE HEADER ASSEMBLY SALES DRAWING				
DIVISIONAL SYMBOLS 4 PLACES \pm 3 PLACES \pm 2 PLACES ± 0.13 1 PLACE ± 0.25 0 PLACES \pm			PRODUCT CUSTOMER DRAWING					
DRAFT WHERE APPLICABLE MUST REMAIN WITHIN DIMENSIONS			THIRD ANGLE PROJECTION 	DRAWING D-SIZE	SERIES 34708	MATERIAL NUMBER SD-34708-400	CUSTOMER GENERAL MARKET	SHEET NUMBER 1 OF 5

INSPECTION BALLOON NUMBER LOG	
PER DRAWING REVISION:	P1
LAST BALLOON NUMBER USED:	55
ADDED BALLOON NUMBERS:	
REMOVED BALLOON NUMBERS:	9, 10, 11, 12, 56, 57, 58, 59, 60, 61, 62, 63

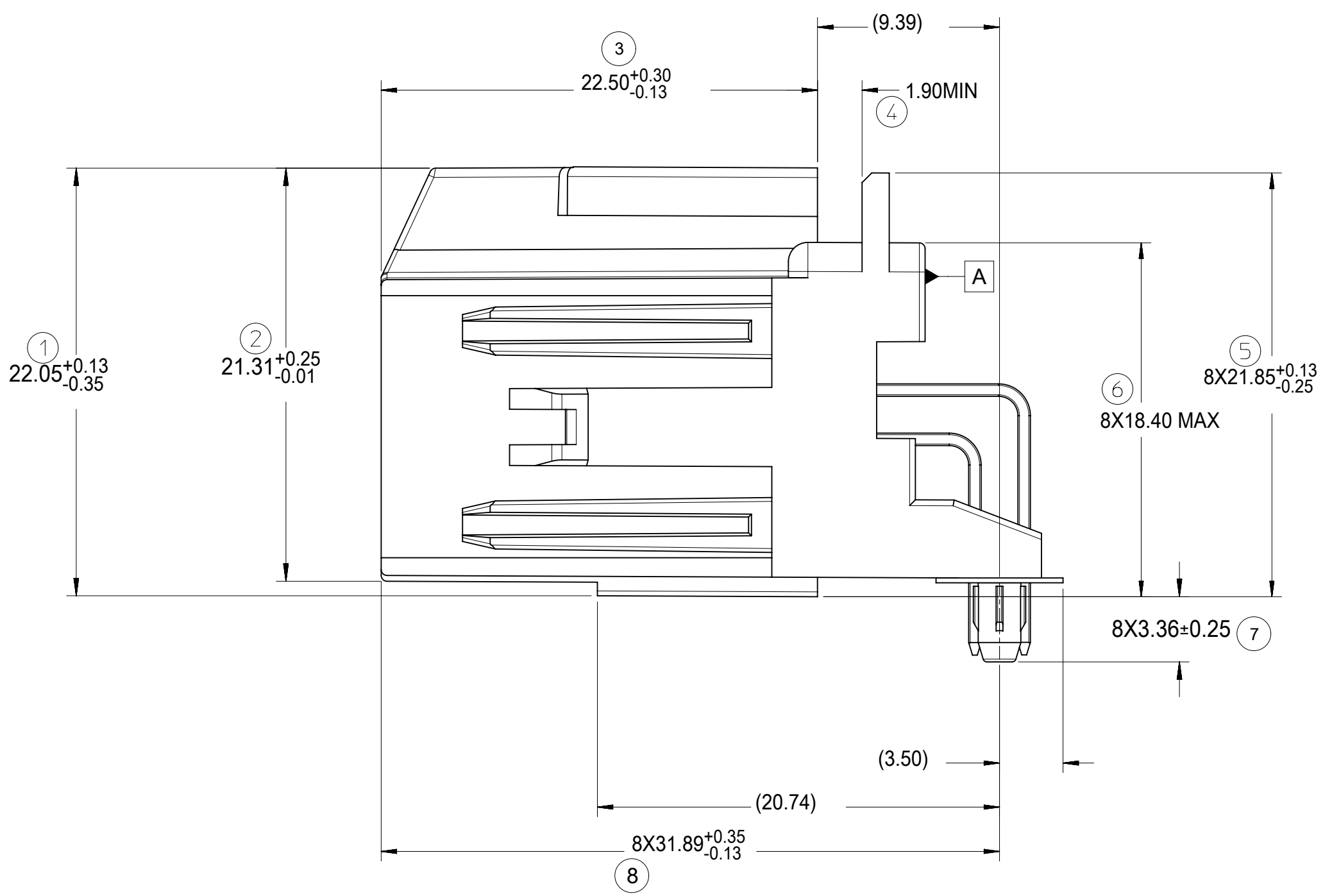
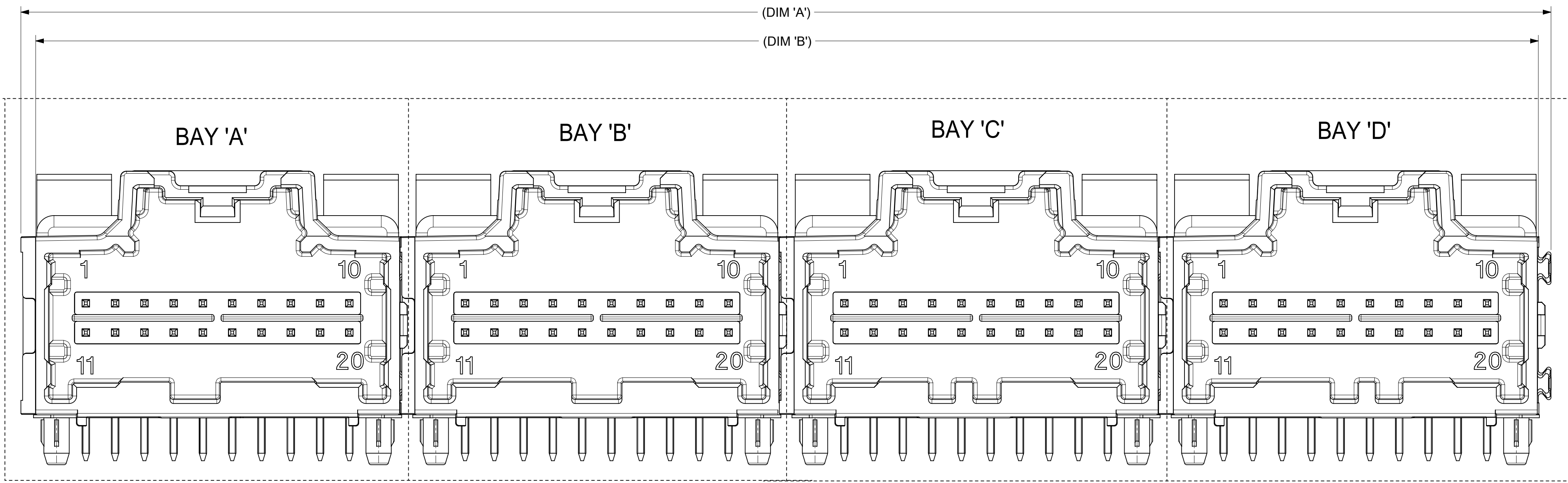
DOCUMENT STATUS	P1	RELEASE DATE	2021/05/18	01:49:26
-----------------	----	--------------	------------	----------

DIMENSIONAL CHART FOR MULTIBAY CONFIGURATION

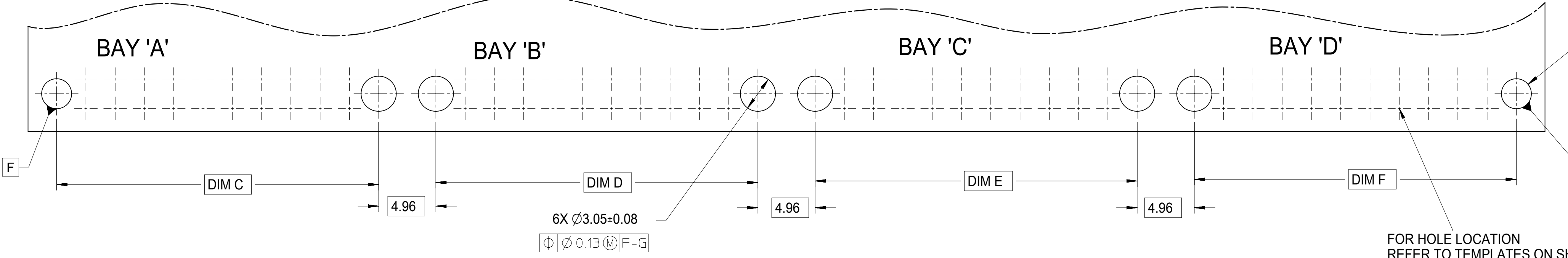
4 BAY PART NUMBER (ALT TRAY)	4 BAY PART NUMBER (TUBE PKG)	4 BAY PART NUMBER (TRAY PKG)	BAY A			BAY B			BAY C			BAY D			DIM 'A'	DIM 'B'	DIM 'C'	DIM 'D'	DIM 'E'	DIM 'F'
			CKT	TYPE	POL	CKT	TYPE	POL	CKT	TYPE	POL	CKT	TYPE	POL						
TBD	34708-9000	34708-4000	20	0.64mm	A	20	0.64mm	B	20	0.64mm	C	20	0.64mm	D	132.74	130.27	27.94	27.94	27.94	27.94
TBD	TBD	34708-4010	12	0.64mm	A	12	0.64mm	B	16	0.64mm	A	8	0.64mm	A	92.10	89.63	17.78	17.78	22.86	12.70
TBD	TBD	34708-4020	16	0.64mm	B	8	0.64mm	B	16	0.64mm	C	12	0.64mm	C	97.18	94.71	22.86	12.70	22.86	17.78
TBD	TBD	34708-4030	16	0.64mm	A	20	0.64mm	A	12	0.64mm	A	20	0.64mm	B	117.50	115.03	22.86	27.94	17.78	27.94
TBD	TBD	34708-4040	20	0.64mm	B	12	0.64mm	A	20	0.64mm	A	12	0.64mm	C	112.42	109.95	27.94	17.78	27.94	17.78
TBD	TBD	34708-4050	20	0.64mm	A	16	0.64mm	A	8	0.64mm	A	10	HYBRID	A	112.42	109.95	27.94	22.86	12.70	27.94
TBD	TBD	34708-4060	20	0.64mm	C	20	0.64mm	A	20	0.64mm	B	12	0.64mm	A	122.58	120.11	27.94	27.94	27.94	17.78
TBD	TBD	34708-4070	12	0.64mm	A	20	0.64mm	D	20	0.64mm	C	20	0.64mm	A	122.58	120.11	17.78	27.94	27.94	27.94
TBD	TBD	34708-4080	20	0.64mm	B	8	0.64mm	A	20	0.64mm	A	12	0.64mm	A	107.34	104.87	27.94	12.70	27.94	17.78
TBD	TBD	34708-4090	12	0.64mm	A	20	0.64mm	A	20	0.64mm	B	20	0.64mm	C	122.58	120.11	17.78	27.94	27.94	27.94
TBD	TBD	34708-4011	16	0.64mm	B	16	0.64mm	A	8	0.64mm	A	10	HYBRID	A	107.34	104.87	22.86	22.86	12.70	27.94
TBD	TBD	34708-4012	8	0.64mm	B	20	0.64mm	D	12	0.64mm	A	12	0.64mm	C	97.18	94.71	12.70	27.94	17.78	17.78
TBD	34708-9013	34708-4013	16	0.64mm	A	20	0.64mm	B	20	0.64mm	C	20	0.64mm	D	127.66	125.19	22.86	27.94	27.94	27.94
TBD	TBD	34708-4014	8	0.64mm	A	20	0.64mm	C	20	0.64mm	B	10	HYBRID	A	117.50	115.03	12.70	27.94	27.94	27.94
TBD	34708-9015	34708-4015	20	0.64mm	A	20	0.64mm	B	20	0.64mm	C	8	0.64mm	A	117.50	115.03	27.94	27.94	27.94	12.70
TBD	34708-9016	34708-4016	20	0.64mm	A	20	0.64mm	B	20	0.64mm	C	12	0.64mm	A	122.58	120.11	27.94	27.94	27.94	17.78
TBD	TBD	34708-4017	20	0.64mm	D	20	0.64mm	A	20	0.64mm	B	20	0.64mm	C	132.74	130.27	27.94	27.94	27.94	27.94
TBD	TBD	34708-4018	20	0.64mm	C	20	0.64mm	A	20	0.64mm	B	16	0.64mm	A	127.66	125.19	27.94	27.94	27.94	22.86
34708-9519	TBD	34708-4019	10	HYBRID	A	16	0.64mm	C	12	0.64mm	B	20	0.64mm	A	117.50	115.03	27.94	22.86	17.78	27.94
P1 TBD	TBD	34708-4021	10	HYBRID	A	14	HYBRID	A	16	0.64mm	A	20	0.64mm	A	127.66	125.19	27.94	27.94	22.86	27.94

FUNCTIONAL SYMBOLS FA = 0 FC = 0 FP = 0	THIS DRAWING CONTAINS INFORMATION THAT IS PROPRIETARY TO MOLEX ELECTRONIC TECHNOLOGIES, LLC AND SHOULD NOT BE USED WITHOUT WRITTEN PERMISSION	DIMENSION UNITS mm	SCALE 1:1	CURRENT REV DESC:	molex
	GENERAL TOLERANCES (UNLESS SPECIFIED)	EC NO: 660202			
DIVISIONAL SYMBOLS	ANGULAR TOL ± 1.0°	4 PLACES ±		DRWN: CZHANG118 2021/02/04	PRODUCT CUSTOMER DRAWING
	3 PLACES ±	3 PLACES ±		CHK'D: CZHANG118 2021/04/09	
	2 PLACES ± 0.13	2 PLACES ± 0.13		APPR: JDENG02 2021/05/18	
	1 PLACE ± 0.25	1 PLACE ± 0.25		INITIAL REVISION:	
	0 PLACES ±	0 PLACES ±		DRWN: VDANIELE 2008/11/14	
	DRAFT WHERE APPLICABLE MUST REMAIN WITHIN DIMENSIONS	THIRD ANGLE PROJECTION		APPR: SMARCEAU 2008/11/14	
DOCUMENT STATUS	P1	RELEASE DATE	2021/05/18 01:49:26	DRAWING	SHEET NUMBER
				D-SIZE	2 OF 5
				SERIES	
				34708	
				MATERIAL NUMBER	
				GENERAL MARKET	
				DOCUMENT NUMBER	
				SD-34708-400	
				DOC TYPE	
				PSD	
				DOC PART	
				001	
				REVISION	
				P1	

TABLE OF CONTENTS			
3	4 BAY ASSEMBLY VIEW, RECOMMENDED PCB LAYOUT, FLUSH MOUNTING VIEW, POST HOLE TABLE, DIMENSION DETAILS		



RECOMMENDED PCB LAYOUT
INSERT NECESSARY BAYS USING CHART ON SHEET 2.



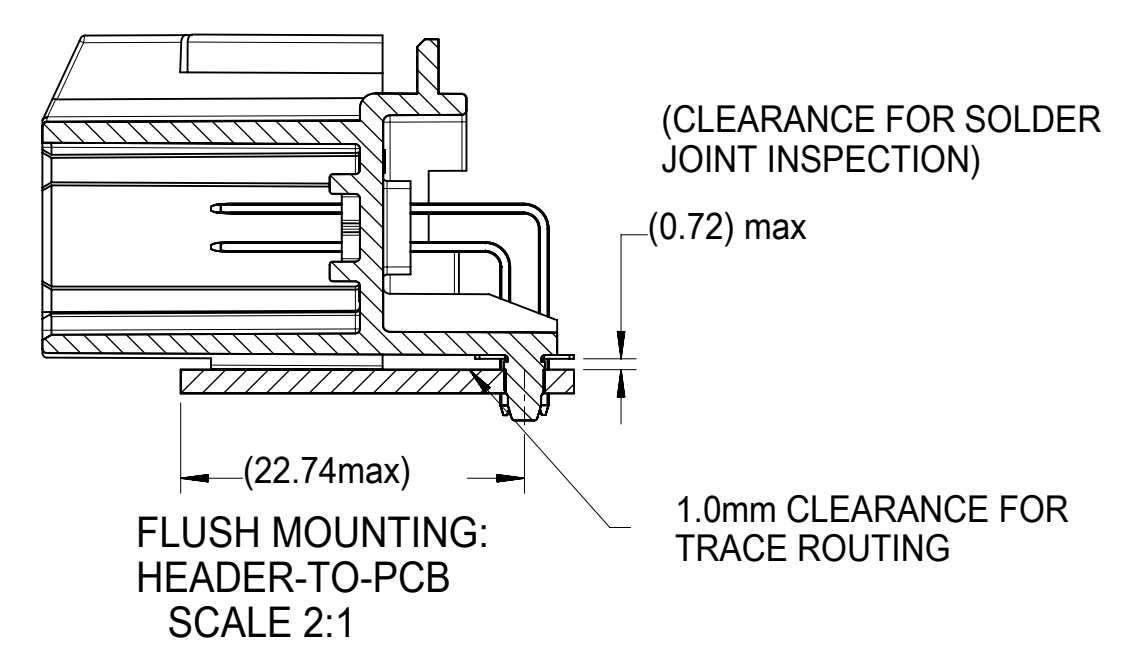
REFER TO POST HOLE TABLE

2X ØZ ± 0.08
⊕ Ø0.13 (M) F

POST HOLE TABLE:

FOR DIM Z:	
PRESS FIT:	2.60
DROP IN:	3.05

ALL CIRCUIT SIZES

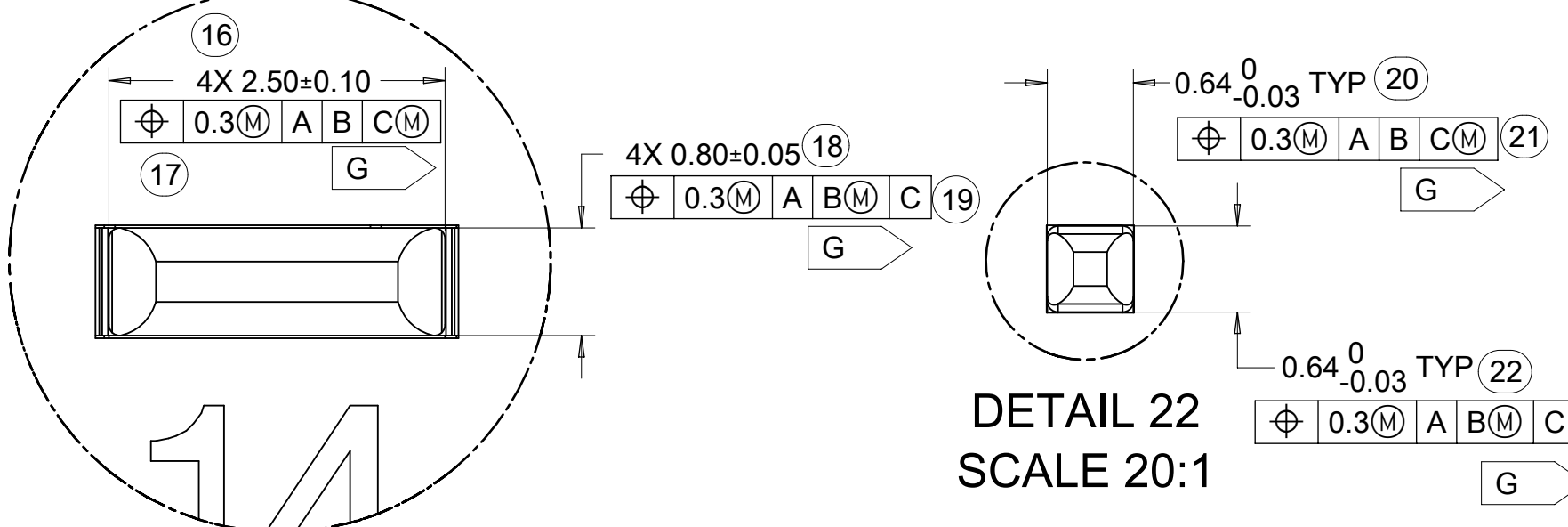
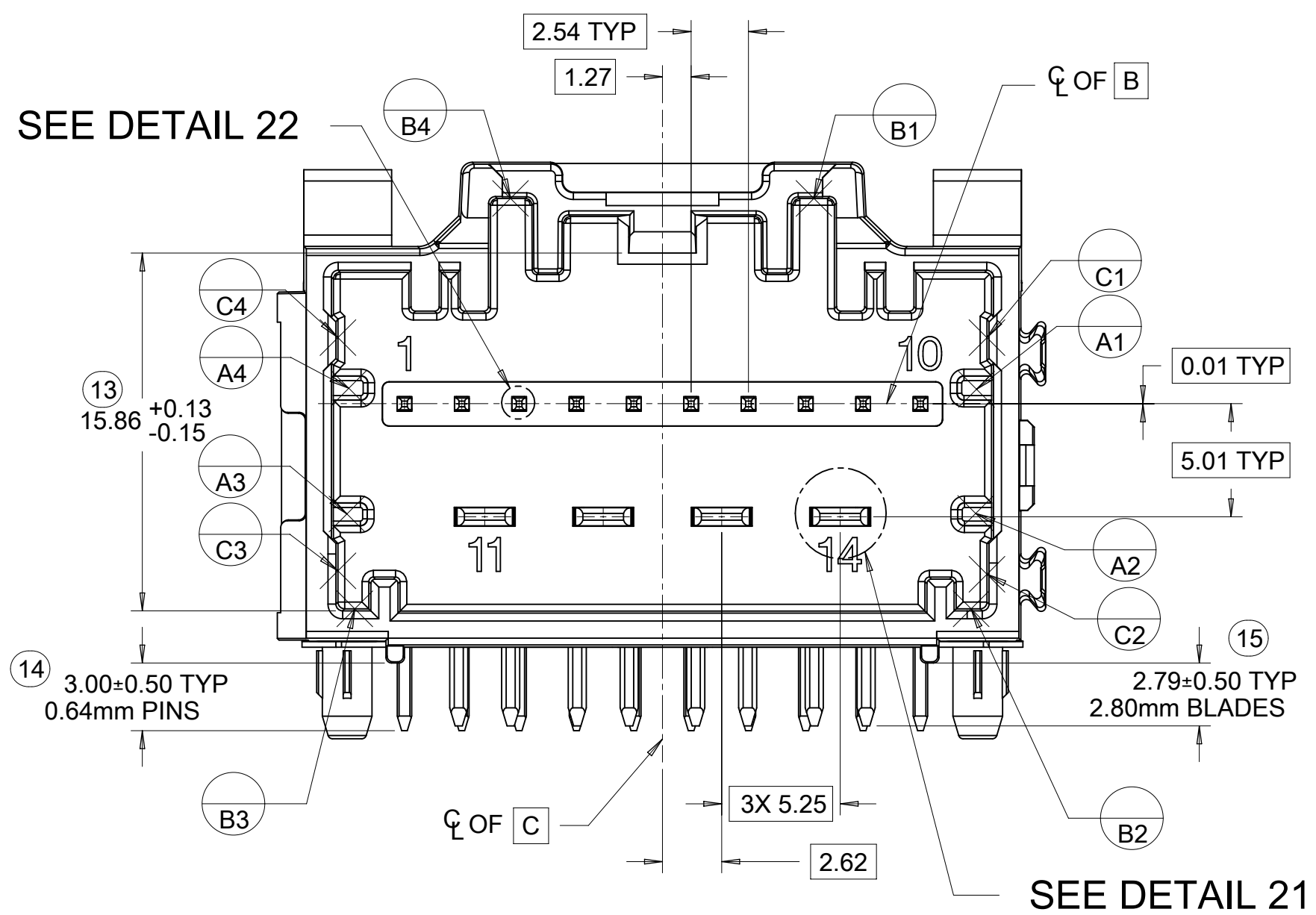


FOR HOLE LOCATION REFER TO TEMPLATES ON SHEET 5

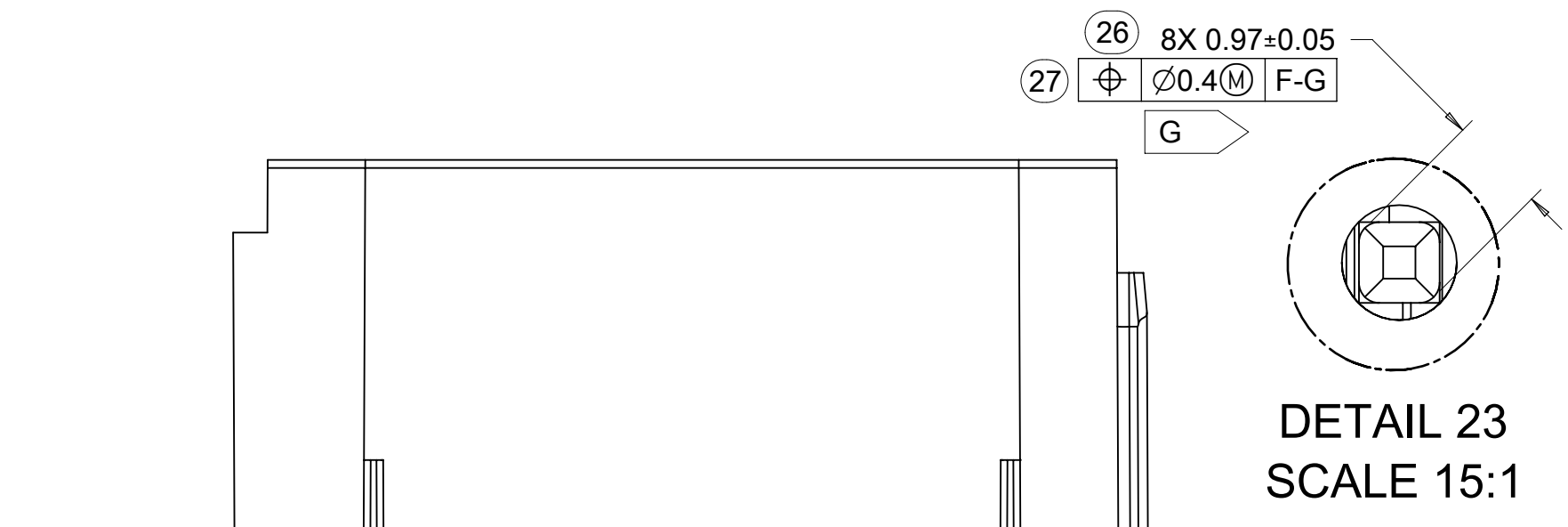
FUNCTIONAL SYMBOLS FA = 0 FE = 0 FP = 0 DIVISIONAL SYMBOLS	THIS DRAWING CONTAINS INFORMATION THAT IS PROPRIETARY TO MOLEX ELECTRONIC TECHNOLOGIES, LLC AND SHOULD NOT BE USED WITHOUT WRITTEN PERMISSION		CURRENT REV DESC:	
	DIMENSION UNITS	SCALE	EC NO: 660202	
	mm	4:1	DRWN: CZHANG118	2021/02/04
	GENERAL TOLERANCES (UNLESS SPECIFIED)		CHK'D: CZHANG118	2021/04/09
ANGULAR TOL ± 1.0°		APPR: JDENG02	2021/05/18	
4 PLACES ±		INITIAL REVISION:		
3 PLACES ±		DRWN: VDANIELE	2008/11/14	
2 PLACES ± 0.13		APPR: SMARCEAU	2008/11/14	
1 PLACE ± 0.25		THIRD ANGLE PROJECTION		
0 PLACES ±		D-DRAWING		
DRAFT WHERE APPLICABLE MUST REMAIN WITHIN DIMENSIONS		SERIES		
		34708		
DOCUMENT NUMBER		DOC TYPE	DOC PART	REVISION
SD-34708-400		PSD	001	P1
MATERIAL NUMBER		CUSTOMER		SHEET NUMBER
		GENERAL MARKET		3 OF 5

19	18	17	16	15	14	13	12	11	10	9	8	7	6	5	4	3	2	1
TABLE OF CONTENTS																		
4	8-20CKT 0.64MM HEADER DETAILS, 14CKT HYBRID HEADER DETAILS, 10CKT HYBRID HEADER DETAILS																	

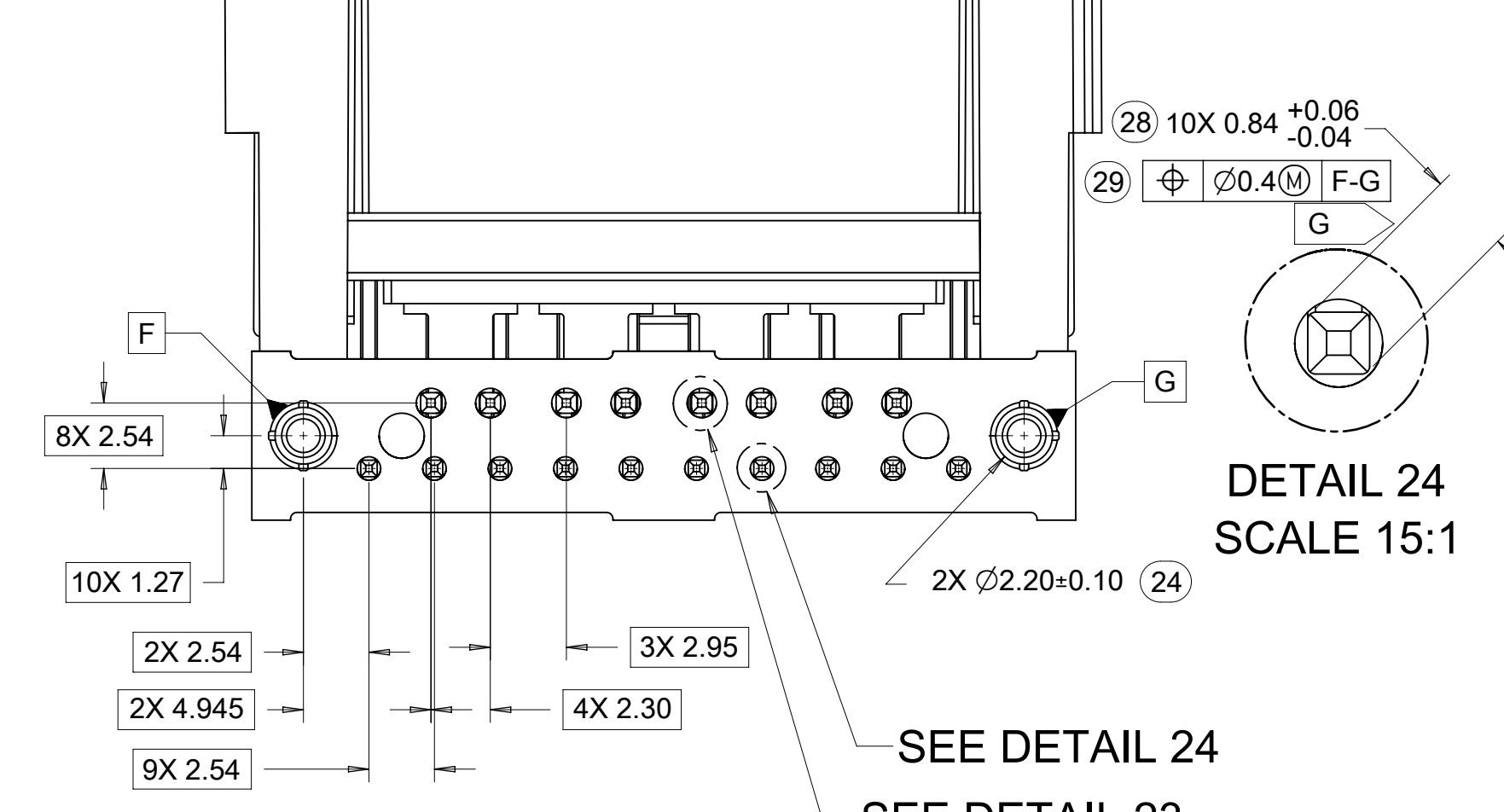
14 CKT HYBRID HEADER DETAILS



DETAIL 21 SCALE 20:1



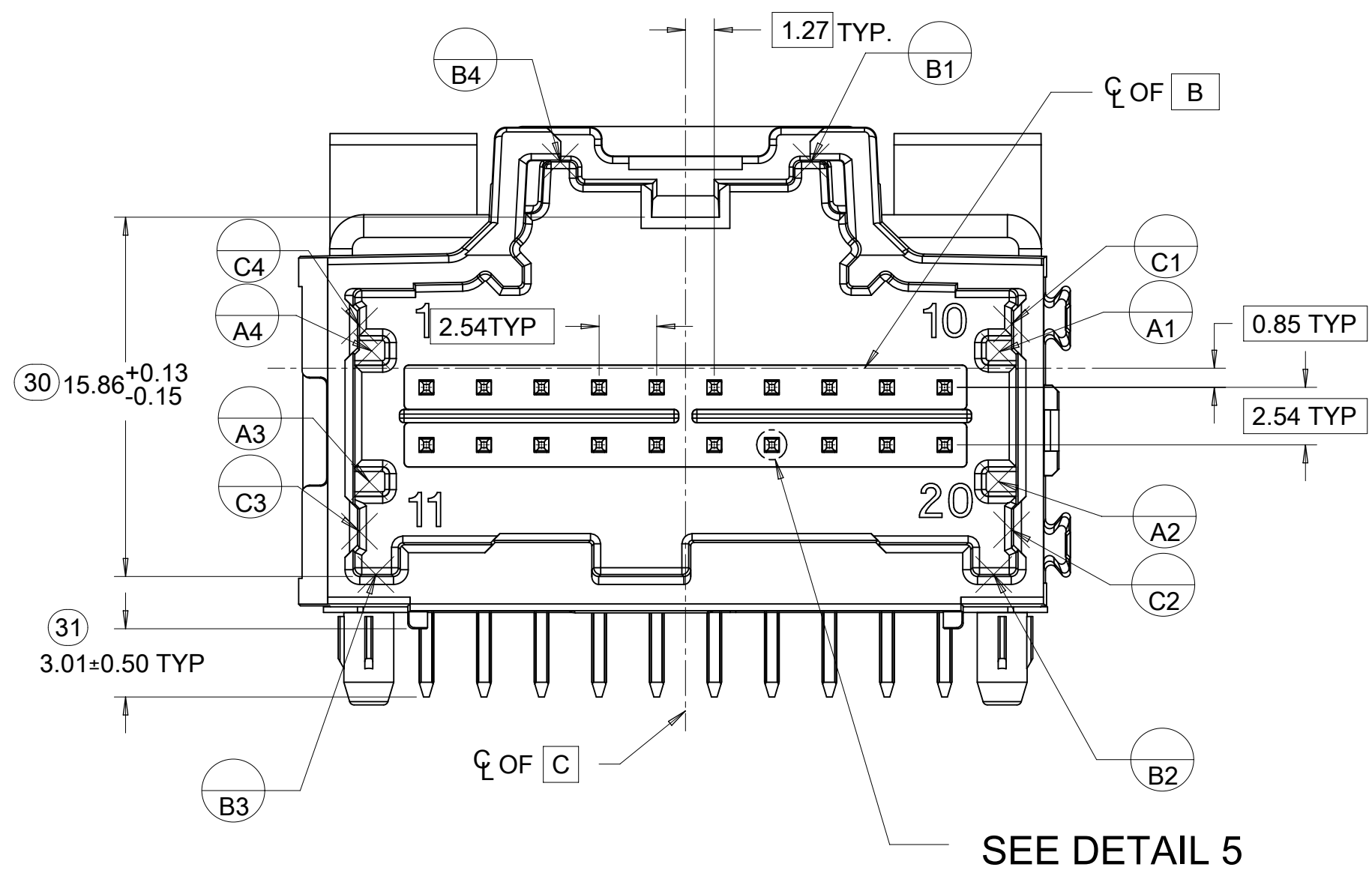
DETAIL 22 SCALE 20:1



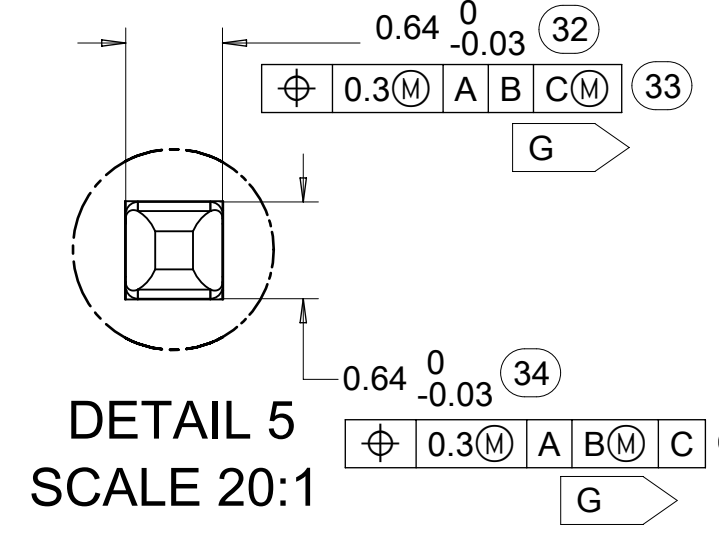
DETAIL 24 SCALE 15:1

SEE DETAIL 24
SEE DETAIL 23

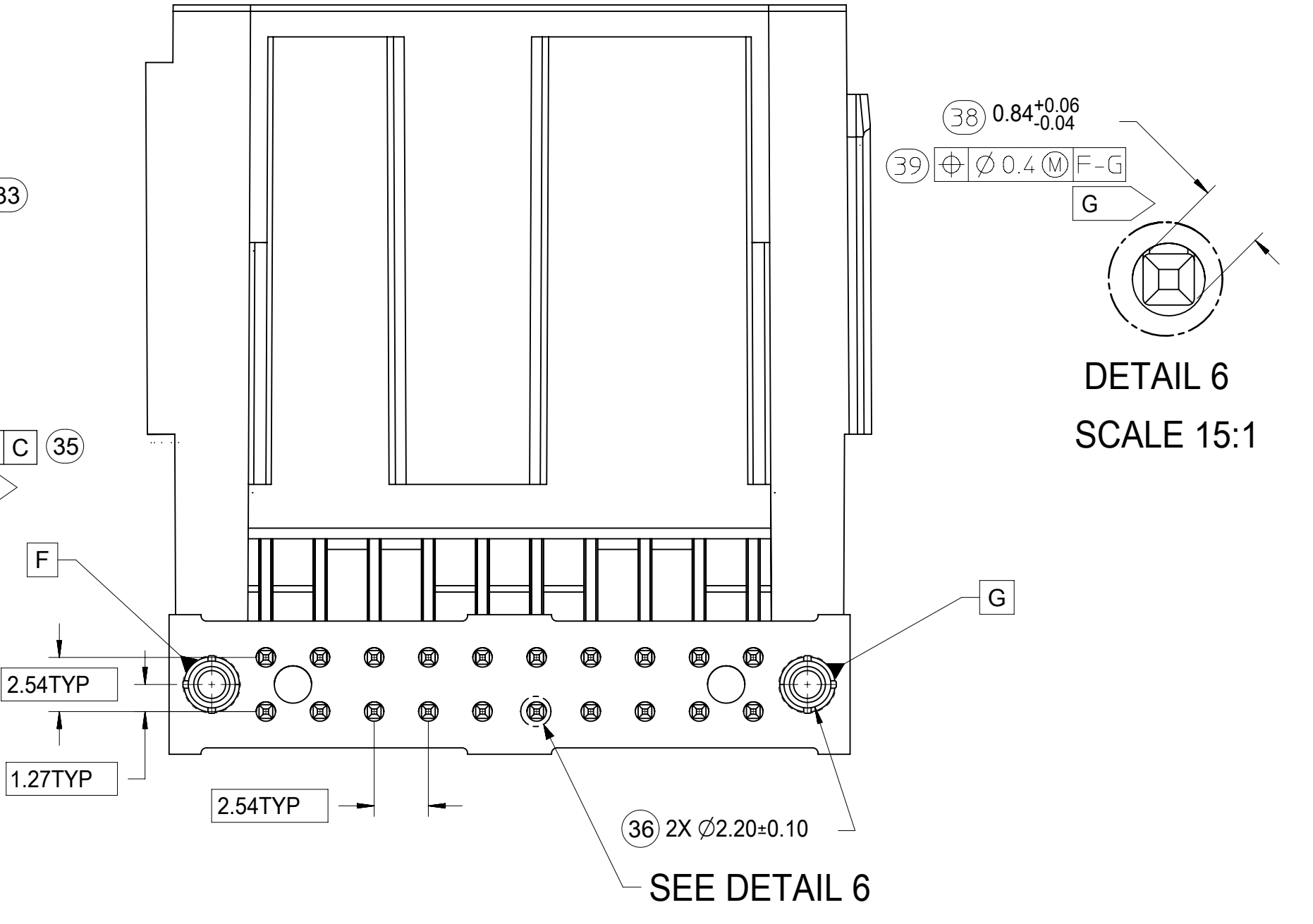
8-20CKT STAC 0.64mm HEADER DETAILS



SEE DETAIL 5



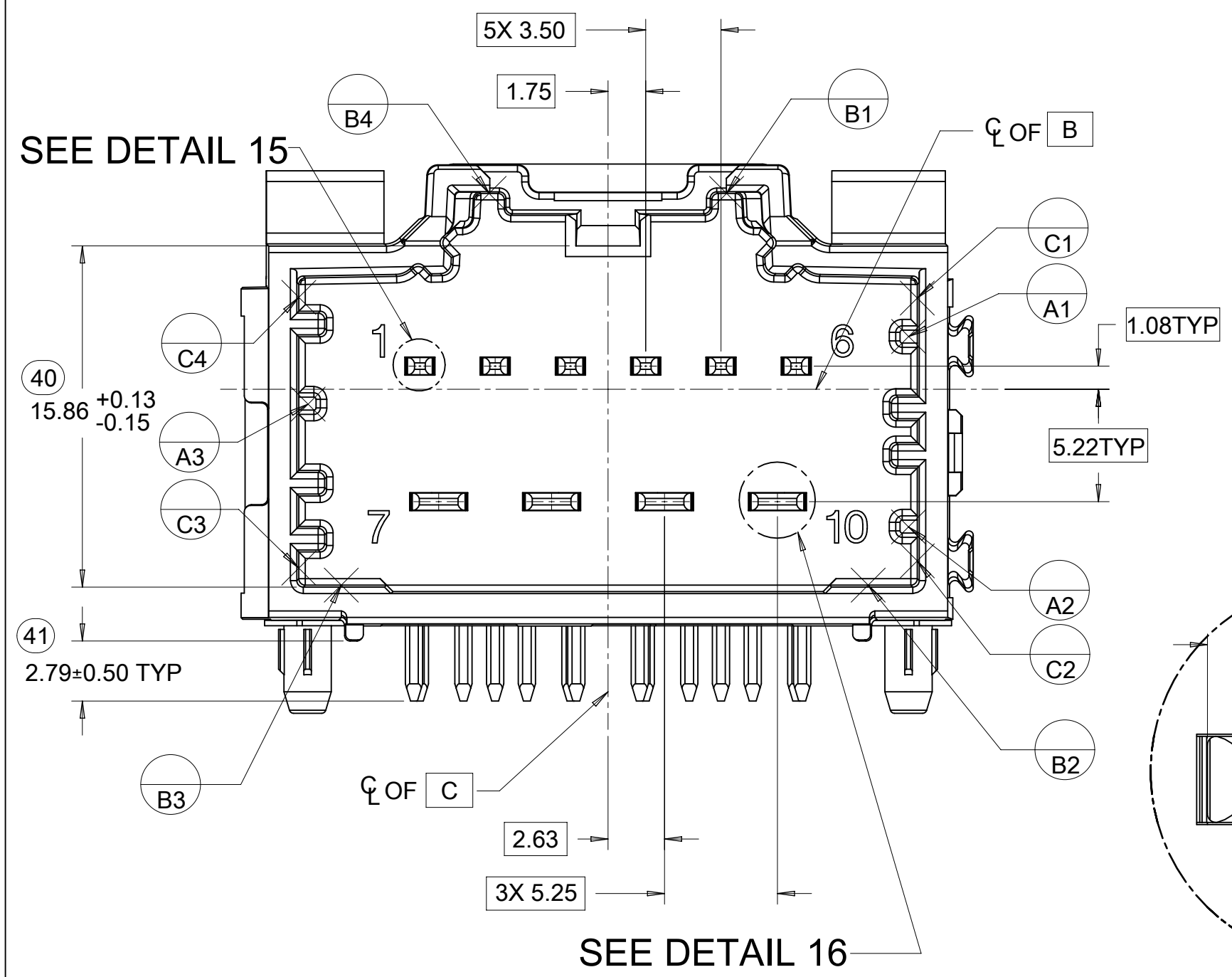
DETAIL 5 SCALE 20:1



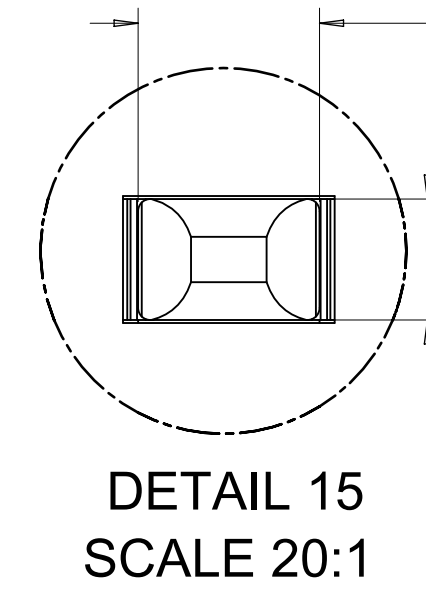
DETAIL 6 SCALE 15:1

SEE DETAIL 6

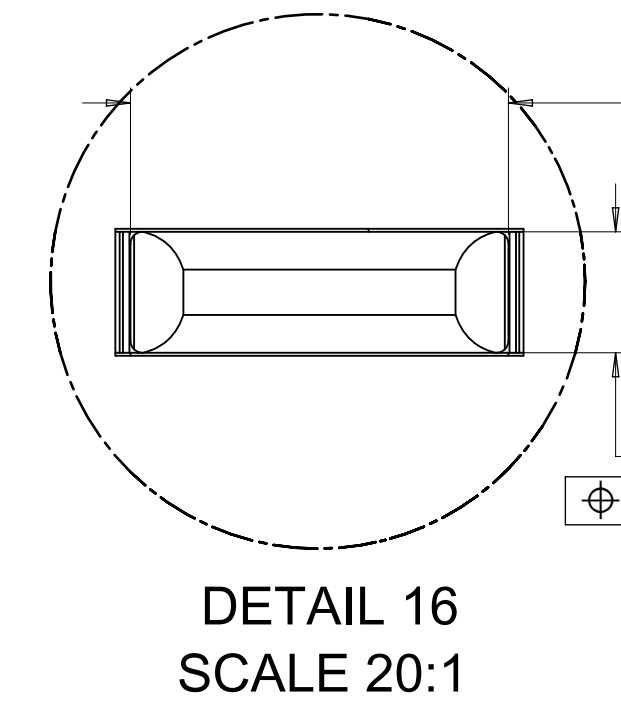
10CKT STAC HYBRID HEADER DETAILS



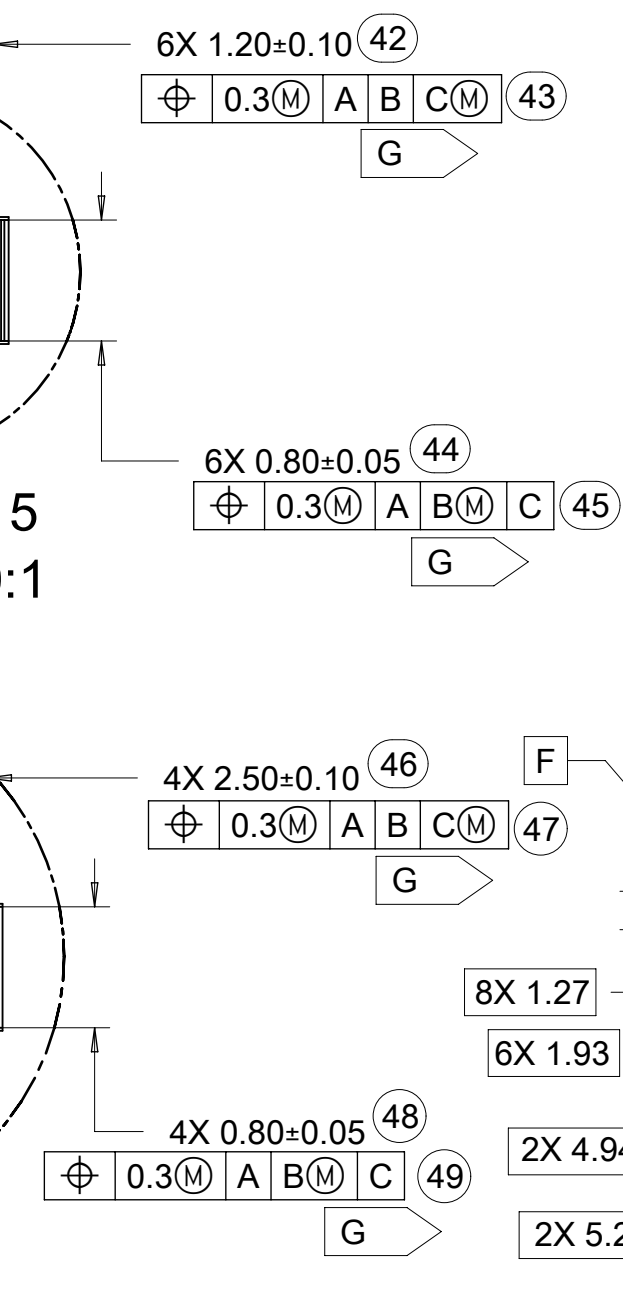
SEE DETAIL 16



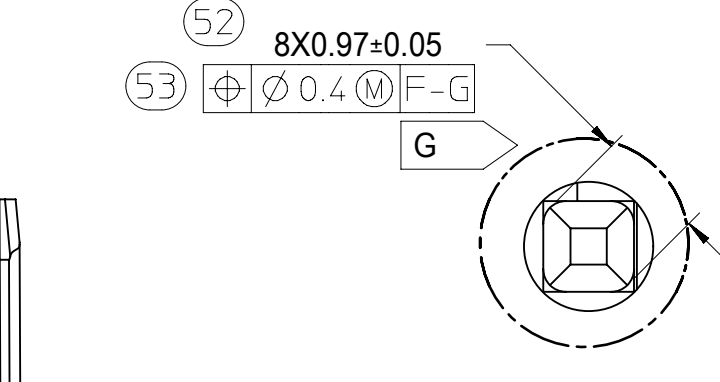
DETAIL 15 SCALE 20:1



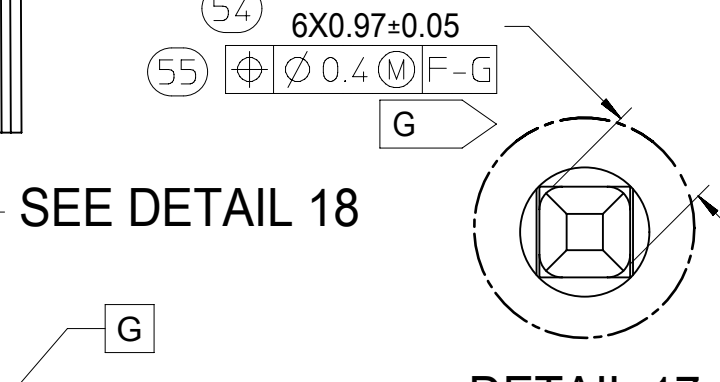
DETAIL 16 SCALE 20:1



SEE DETAIL 17



DETAIL 18 SCALE 15:1



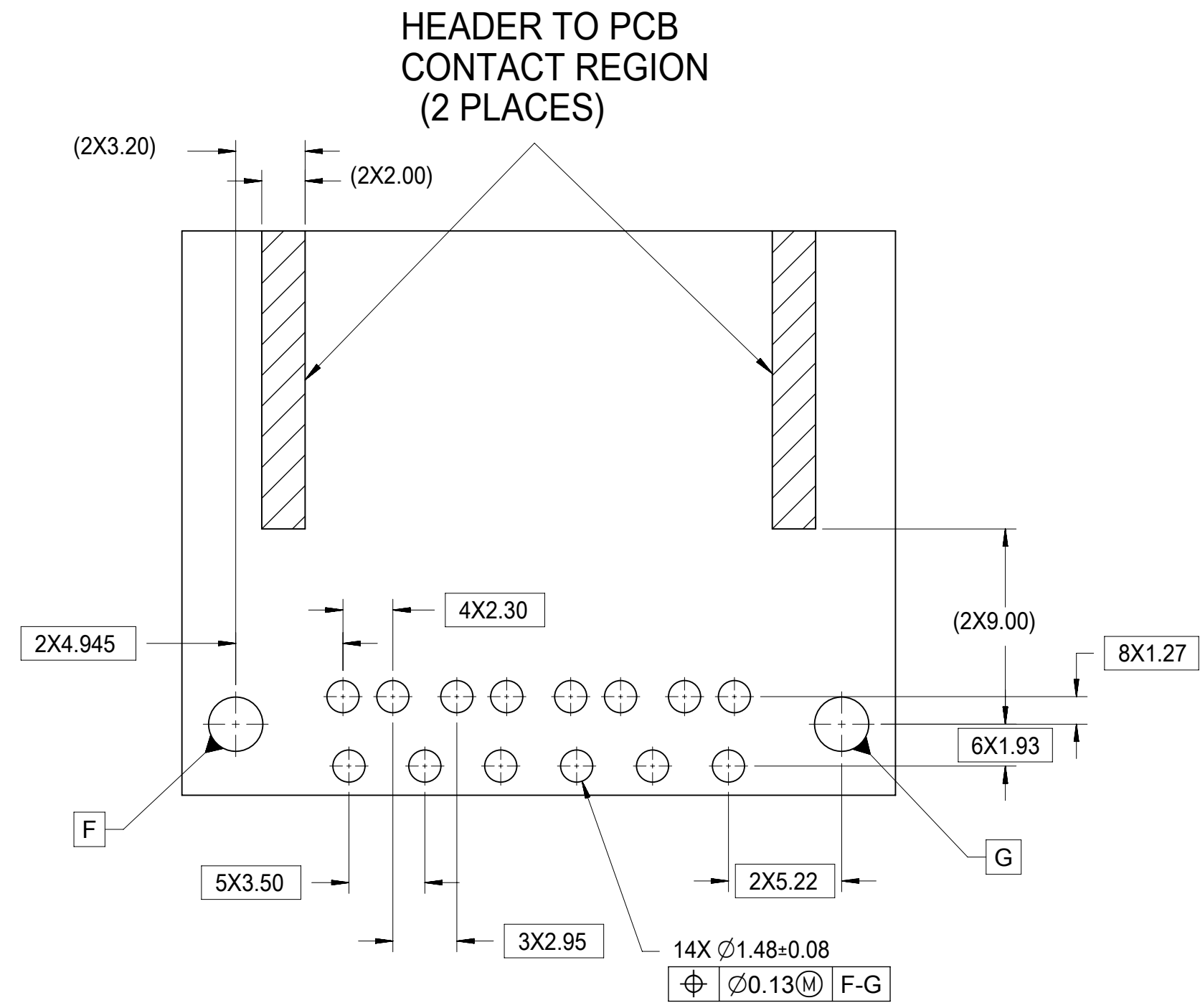
DETAIL 17 SCALE 15:1

SEE DETAIL 18

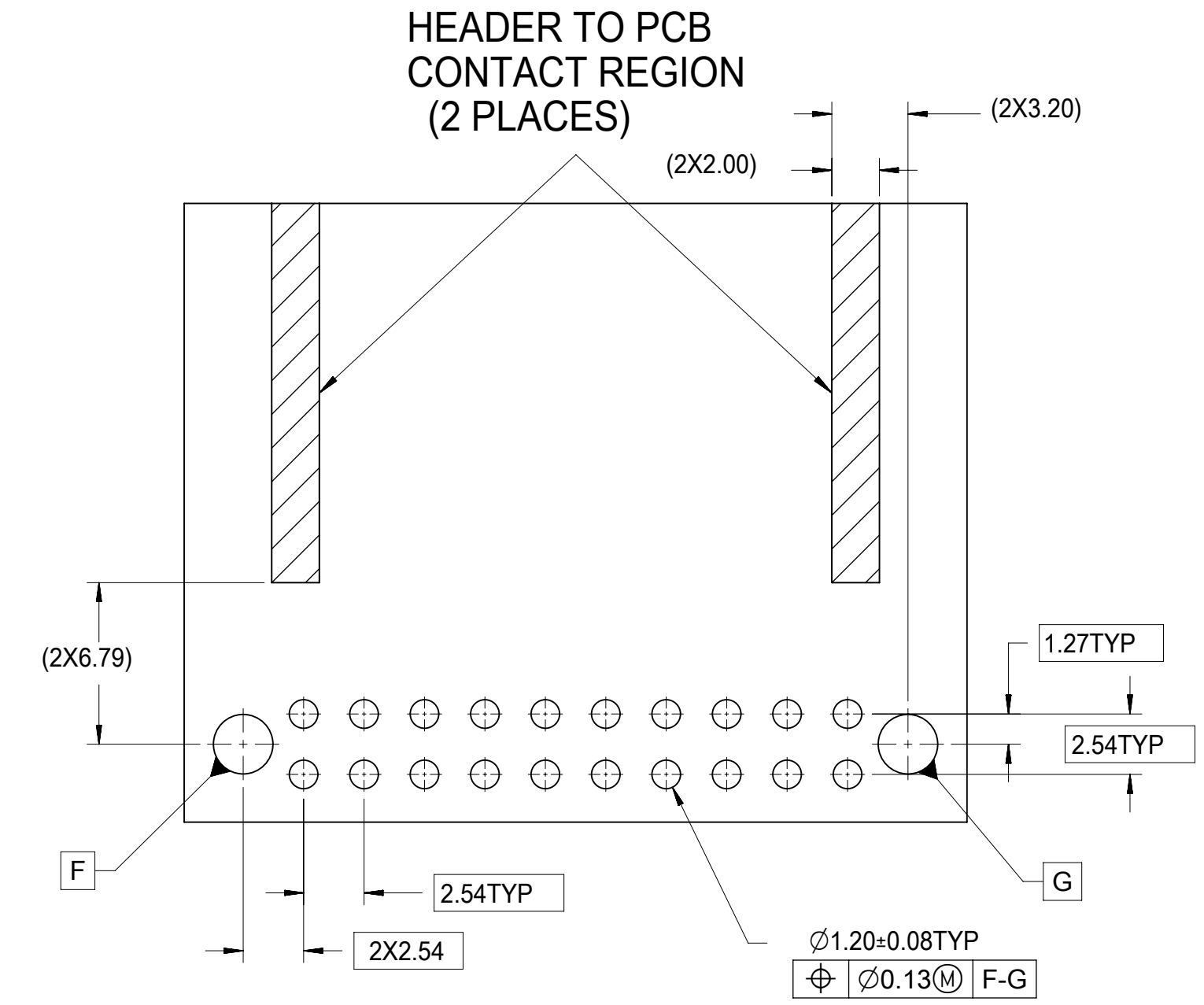
FUNCTIONAL SYMBOLS	THIS DRAWING CONTAINS INFORMATION THAT IS PROPRIETARY TO MOLEX ELECTRONIC TECHNOLOGIES, LLC AND SHOULD NOT BE USED WITHOUT WRITTEN PERMISSION		CURRENT REV DESC:		
	FA = 0	mm			
DIVISIONAL SYMBOLS	GENERAL TOLERANCES (UNLESS SPECIFIED)		EC NO: 660202		
	FE = 0	ANGULAR TOL ± 1.0°	4 PLACES ±	DRWN: CZHANG118	2021/02/04
FUNCTIONAL SYMBOLS	4 PLACES ±		3 PLACES ±	CHK'D: CZHANG118	2021/04/09
	2 PLACES ± 0.13		2 PLACES ± 0.25	APPR: JDENG02	2021/05/18
1 PLACE ±		0 PLACES ±	INITIAL REVISION:		
DRAFT WHERE APPLICABLE MUST REMAIN WITHIN DIMENSIONS		THIRD ANGLE PROJECTION	DRWN: VDANIELE	2008/11/14	2008/11/14
D-DRAWING		SERIES 34708	MATERIAL NUMBER CUSTOMER SHEET NUMBER		
D-DRAWING		SERIES 34708	SD-34708-400 PSD 001 P1		
D-DRAWING		SERIES 34708	GENERAL MARKET 4 OF 5		

DOCUMENT STATUS	P1	RELEASE DATE	2021/05/18 01:49:26
-----------------	----	--------------	---------------------

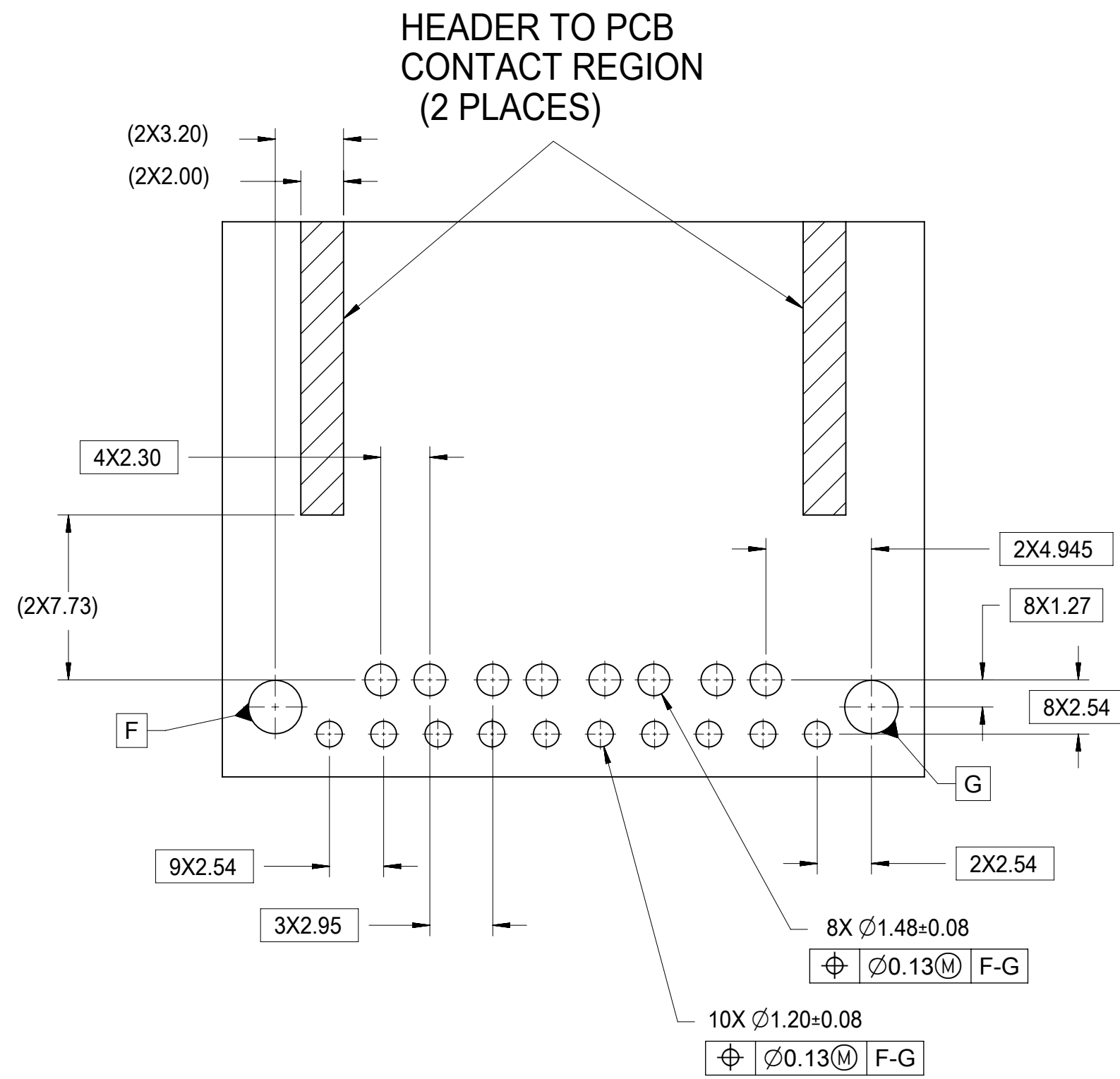
10 CKT HYBRID TEMPLATE PCB LAYOUT



8-20CKT 0.64mm TEMPLATE PCB LAYOUT



14 CKT HYBRID TEMPLATE PCB LAYOUT



FUNCTIONAL SYMBOLS	THIS DRAWING CONTAINS INFORMATION THAT IS PROPRIETARY TO MOLEX ELECTRONIC TECHNOLOGIES, LLC AND SHOULD NOT BE USED WITHOUT WRITTEN PERMISSION		
	DIMENSION UNITS	SCALE	CURRENT REV DESC:
$\nabla_A = 0$	mm	4:1	
$\nabla_C = 0$	GENERAL TOLERANCES (UNLESS SPECIFIED)		
$\nabla_P = 0$	ANGULAR TOL $\pm 1.0^\circ$		
DIVISIONAL SYMBOLS	4 PLACES	\pm	EC NO: 660202
	3 PLACES	\pm	DRWN: CZHANG118 2021/02/04
	2 PLACES	± 0.13	CHK'D: CZHANG118 2021/04/09
	1 PLACE	± 0.25	APPR: JDENG02 2021/05/18
	0 PLACES	\pm	INITIAL REVISION:
DRAFT WHERE APPLICABLE MUST REMAIN WITHIN DIMENSIONS		THIRD ANGLE PROJECTION	DRAWING SERIES MATERIAL NUMBER CUSTOMER SHEET NUMBER
			D-SIZE 34708 SD-34708-400 GENERAL MARKET 5 OF 5

molex

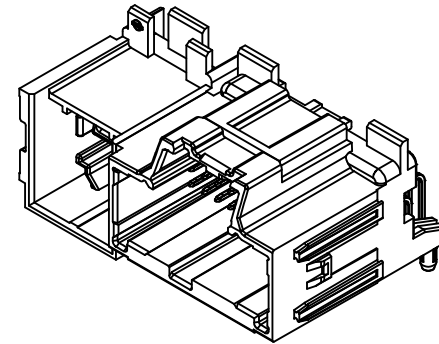
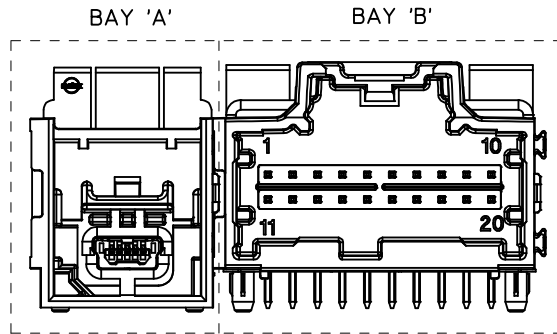
4-BAY STAC64 RIGHT ANGLE
HEADER ASSEMBLY SALES DRAWING

PRODUCT CUSTOMER DRAWING

DOCUMENT NUMBER DOC TYPE DOC PART REVISION

SD-34708-400 PSD 001 P1

2 BAY HS STAC RIGHT ANGLE HEADER ASSEMBLY (P/N: 34787-2000 SHOWN)



NOTES: VALID UNLESS OTHERWISE SPECIFIED
1. GENERAL:

a. CONNECTOR HEADER MUST BE VALIDATED TO THE FOLLOWING FUNCTIONAL REQUIREMENTS:

PRODUCT SPECIFICATION:
8-20 CKT 0.64 PRODUCT SPEC: PS-31408-100
10 CKT HYBRID PRODUCT SPEC: PS-31372-100
HS STAC PRODUCT SPEC: TBD

b. APPLICATION REQUIREMENTS (REFERENCE ONLY):

APPLICATION SPECIFICATION: TBD

c. PACKAGING SPECIFICATION PER MOLEX DRAWING TBD

2. DESIGN: MATERIALS:

a. SHROUD (PLASTIC HOUSING):
RESIN - SPS 30%GF

b. HS STAC PINS:
0.35mm PINS
BASE MATERIAL: C70250
PLATING TYPE: AS NOTED

0.64mm PINS:
BASE MATERIAL: C26000
PLATING TYPE: AS NOTED

150mm BLADES:
BASE MATERIAL: C19400
PLATING TYPE: AS NOTED

2.80mm BLADES:
BASE MATERIAL: C19400
PLATING TYPE: AS NOTED

3. PLATING REQUIREMENTS:

a. UNDERPLATING - OVERALL NICKEL

b. OVERPLATING - OVERALL TIN

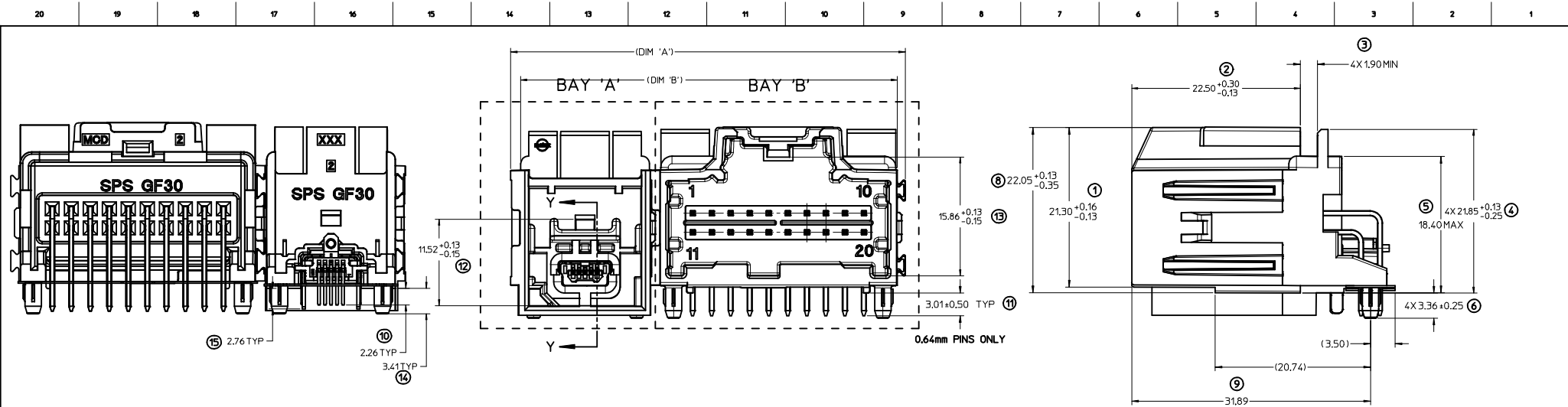
4. FOR DESCRIPTION OF INDIVIDUAL BAYS, REFER TO THE FOLLOWING

SINGLE BAY DRAWINGS:
8-20 CKT 0.64: SD-34691-100
10 CKT HYBRID: SD-34696-100
HS STAC: SD-34786-100

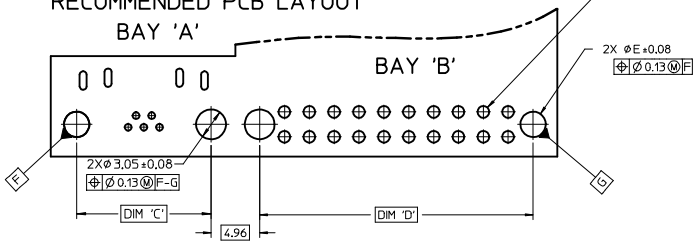
DIMENSIONAL CHART FOR MULTIBAY CONFIGURATION:

2 BAY PART NUMBER	BAY A			BAY B			DIM 'A'	DIM 'B'	DIM 'C'	DIM 'D'
	CKT	TYPE	POL	CKT	TYPE	POL				
34787-2000	-	HS	A	20	0.64mm	A	52.73	50.27	13.73	27.94
34787-2010	-	HS	A	-	HS	E	38.52	36.06	13.73	13.73
34787-2020	12	0.64mm	A	-	HS	A	42.57	40.11	13.73	17.78

REVISED EC NO: UAU2012-1387 DRAWN: DANIELE CHKD: APPR: SMARCEAU 2012/05/10 2012/05/11	QUALITY SYMBOLS	GENERAL TOLERANCES (UNLESS SPECIFIED)	DIMENSION STYLE	SCALE	DESIGN UNITS	THIRD ANGLE PROJECTION	
	▽=0 ▽=0	mm INCH 4 PLACES ± --- ± --- 3 PLACES ± --- ± --- 2 PLACES ± 0.13 ± --- 1 PLACE ± 0.25 ± --- ANGULAR ± 1°	MM ONLY	4:1	METRIC	DRAWN BY: DANIELE DATE: 2010/06/24 CHECKED BY: DATE: JDUNA J DATE: 2010/06/29 APPROVED BY: DATE: SMARCEAU 2010/07/08	TITLE: 2-BAY HSSTAC RIGHT ANGLE HEADER ASSEMBLY SALES DRAWING MOLEX INCORPORATED
	DRAFT WHERE APPLICABLE MUST REMAIN WITHIN DIMENSIONS	MATERIAL NO. SEE CHART	DOCUMENT NO. SD-34787-200	SHEET NO. 1 OF 2	THIS DRAWING CONTAINS INFORMATION THAT IS PROPRIETARY TO MOLEX INCORPORATED AND SHOULD NOT BE USED WITHOUT WRITTEN PERMISSION		
	SIZE D						



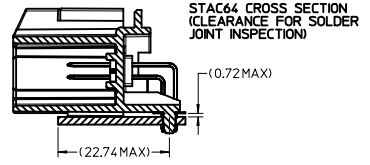
INSERT NECESSARY BAYS USING CHART ON SHEET 1.
RECOMMENDED PCB LAYOUT



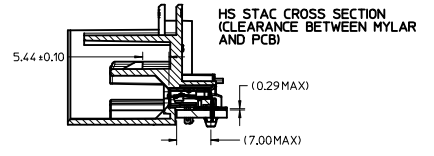
FOR HOLE LOCATION REFER TO TEMPLATE BELOW

POST HOLE TABLE:

FOR DIM E:	
PRESS FIT:	2.60
DROP IN:	3.05



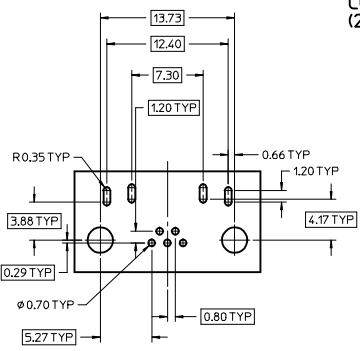
FLUSH MOUNTING: HEADER-TO-PCB SCALE 2:1



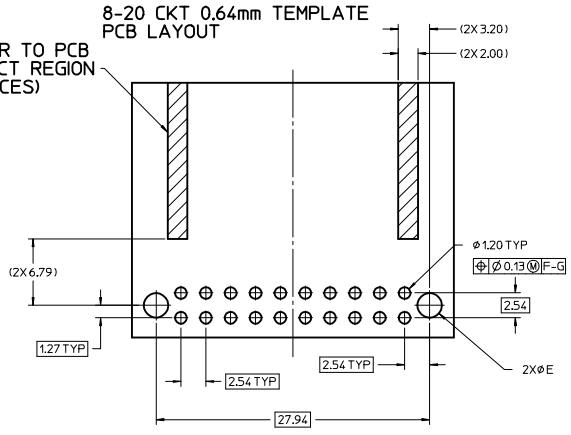
FLUSH MOUNTING HEADER-TO-PCB SCALE 2:1

* RECOMMENDED FOR PIN THROUGH PASTE REFLOW PROCESSING *

HS STAC TEMPLATE PCB LAYOUT



HEADER TO PCB CONTACT REGION (2 PLACES)



REVISED EC NO. UAU2012-1387 DRAWN/DANIELE 2010/05/10 CHKD: APPR:SMARCEAU 2012/05/11 DESCRIPTION	QUALITY SYMBOLS ▽=0 ▽=0		GENERAL TOLERANCES (UNLESS SPECIFIED) <table border="1"> <tr> <th></th> <th>mm</th> <th>INCH</th> </tr> <tr> <td>4 PLACES</td> <td>± ---</td> <td>± ---</td> </tr> <tr> <td>3 PLACES</td> <td>± ---</td> <td>± ---</td> </tr> <tr> <td>2 PLACES</td> <td>± 0.13</td> <td>± ---</td> </tr> <tr> <td>1 PLACE</td> <td>± 0.25</td> <td>± ---</td> </tr> </table>			mm	INCH	4 PLACES	± ---	± ---	3 PLACES	± ---	± ---	2 PLACES	± 0.13	± ---	1 PLACE	± 0.25	± ---	DIMENSION STYLE MM ONLY		SCALE 4:1	DESIGN UNITS METRIC	THIRD ANGLE PROJECTION
		mm	INCH																					
	4 PLACES	± ---	± ---																					
3 PLACES	± ---	± ---																						
2 PLACES	± 0.13	± ---																						
1 PLACE	± 0.25	± ---																						
DRAFT WHERE APPLICABLE MUST REMAIN WITHIN DIMENSIONS		APPROVED BY SMARCEAU 2010/07/08		MATERIAL NO. SEE CHART		DOCUMENT NO. MOLEX INCORPORATED		TITLE 2-BAY HSSTAC RIGHT ANGLE HEADER ASSEMBLY SALES DRAWING																
		SIZE D		THIS DRAWING CONTAINS INFORMATION THAT IS PROPRIETARY TO MOLEX INCORPORATED AND SHOULD NOT BE USED WITHOUT WRITTEN PERMISSION		SD-34787-200		SHEET NO. 2 OF 2																