

Technical specification:

Rated voltage: IEC 61076-2-101	5pos 30 V
Current rating: IEC 61076-2-101	4 A at 40°C
Insulation resistance: IEC 60512	>=100 MΩ
Pollution degree: IEC 60664-1	3/2
Degree of protection: DIN 40050-9	IP 69K, in mated condition
Temperature range: IEC 60664-1	-30°C ... +85°C (temporary till +105°C)
Mating cycles: IEC 60512-9a	>=100

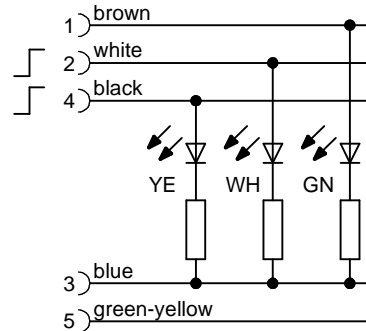
Materials:

Contact:	CuZn
Contact plating:	Nickel, gold plated
Contact carrier:	Thermoplast GF, UL 94
Sealing:	FPM
Coupling nut:	1.4404 stainless steel
Moulding body:	Thermoplastic elastomer, translucent

Installation specification:

Recommended torque:	0,6 Nm
---------------------	--------

Contact assignment:



Part no:	Description:	Length L:	Cable:
43-11640	SAL - FB - 12 - RKW5 - 3L - 2 / P1	2m	PP, orange, 5x0,34mm ² Cable: 781-P13500
43-11641	SAL - FB - 12 - RKW5 - 3L - 3 / P1	3m	
43-11642	SAL - FB - 12 - RKW5 - 3L - 5 / P1	5m	
43-11643	SAL - FB - 12 - RKW5 - 3L - 10 / P1	10m	
43-xxxxx	SAL - FB - 12 - RKW5 - 3L - ... / P1	x	

D see data sheet cable

DO NOT ALTER CAD DRAWING BY HAND Directive 2002/95/EC RoHS compliant	Index: a 24.02.11 VF Ä3909 technical specification changed, part no. cable in table added, data sheet modified	dim. in mm	title: Female connector M12x1 angled, FB with LED						
				<table border="1"> <tr> <td>date</td> <td>name</td> </tr> <tr> <td>08.03.07</td> <td>Burschik</td> </tr> <tr> <td>08.03.07</td> <td>Mankopf</td> </tr> </table>	date	name	08.03.07	Burschik	08.03.07
	date	name							
	08.03.07	Burschik							
	08.03.07	Mankopf							
tolerance of cable: L <= 4m: L + 40mm L > 4m: L + 1%		dwg no: 43K1A620							
general tolerance: 0 ± 0,50mm 0,0 ± 0,25mm 0,00 ± 0,10mm		part no: see table							
<small>THIS DRAWING MAY NOT BE COPIED OR REPRODUCED IN ANY WAY, AND MAY NOT BE PASSED ON TO A THIRD PARTY WITHOUT WRITTEN PERMISSION. OWNERSHIP AND COPYRIGHT OF CONEC GmbH</small>									