

REV. B		SHEET 1 OF 2		DOCUMENT NO. RVPX-PE20815XX	
REVISIONS					
LTR	DESCRIPTION			DATE	
A	INITIAL RELEASE			17-AUG-20	
B	UPDATE WAFER LOAD/FOOTPRINT IMAGES TO REFLECT CORRECT LOAD			19-JUL-22	
				ECN:2152	

DOCUMENT NO. RVPX-PE20815XX

SHEET 1 OF 2

REV. B

C

B

A

FORMAT: C-0-E-1

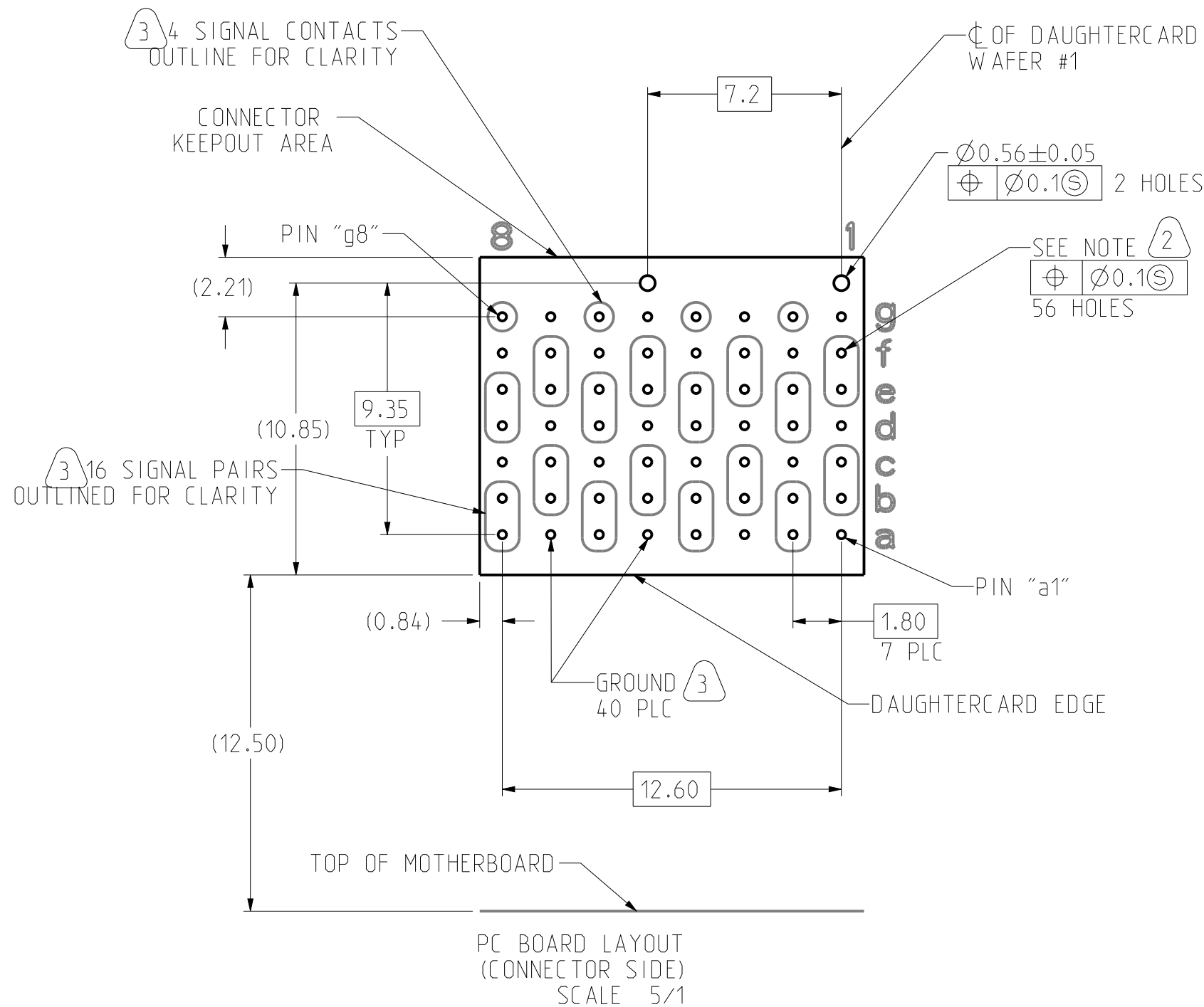
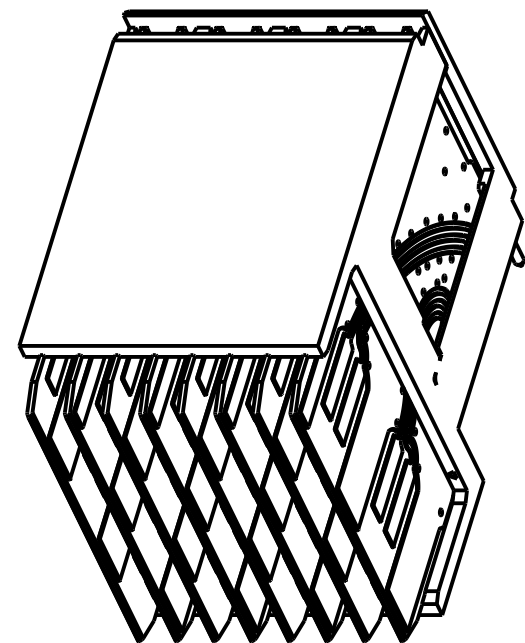


TABLE 1
INTERCONNECTIONS WITH BACKPLANE CONNECTOR RVPX-J08EXX

TYPICAL INTERCONNECTIONS FOR COLUMN (WAFER): 1,3,5,7		
CONTACT USAGE	DAUGHTERCARD CONNECTOR PIN	BACKPLANE CONNECTOR PIN
SIGNAL PAIR	bx	cx
SIGNAL PAIR	cx	dx
SIGNAL PAIR	ex	gx
SIGNAL PAIR	fx	hx
GROUND	ax, dx, gx, (ALL COMMONED)	ax, bx, ex, fx, ix

TYPICAL INTERCONNECTIONS FOR COLUMN (WAFER): 2,4,6,8		
CONTACT USAGE	DAUGHTERCARD CONNECTOR PIN	BACKPLANE CONNECTOR PIN
SIGNAL PAIR	ax	ax
SIGNAL PAIR	bx	bx
SIGNAL PAIR	dx	ex
SIGNAL PAIR	ex	fx
SIGNAL PAIR	gx	ix
GROUND	cx, fx, (ALL COMMONED)	cx, dx, gx, hx

NOTE: "x" DESIGNATES THE COLUMN NUMBER

TABLE 2

PLATING THICKNESS AND MATERIAL BY PART NUMBER			
PART NUMBER	GOLD IN CONTACT AREA	COMPLIANT	NICKEL OVERALL
RVPX-PE20815M1	50 µ-INCH MIN	50 µ-INCH MIN TIN	50 µ-INCH MIN
RVPX-PE20815M2	50 µ-INCH MIN	50 µ-INCH MIN TIN-LEAD	50 µ-INCH MIN
RVPX-PE20815C1	30 µ-INCH MIN	50 µ-INCH MIN TIN	50 µ-INCH MIN
RVPX-PE20815C2	30 µ-INCH MIN	50 µ-INCH MIN TIN-LEAD	50 µ-INCH MIN

- 4 SEE TABLE 2 FOR PART NUMBER AND FINISHES
- 3 SEE TABLE 1 FOR INTERCONNECTIONS TO BACKPLANE CONNECTOR
- 2 PTH CALLOUT TYPICAL HOLE
Ø0.38-.43 DRILL
Ø0.31 ±.05 FINISH HOLE
Ø0.66 PAD
- 1 HOUSING: GLASS FILLED LCP, UL94 - V0
CONTACT: CU ALLOY
POST: STAINLESS STEEL, PASSIVATED

NOTES:

THE USE OF THIS DOCUMENT IS UNLIMITED. HOWEVER, DOCUMENTS REFERENCED HEREON MAY CONTAIN LIMITED RIGHTS DATA.

NONE
NEXT ASSEMBLY

PRO/ENGINEER INFORMATION
Pro/e Model Used:
426-0046-001.PART
Drawing Name:
RVPX-PE20815XX

UNLESS OTHERWISE SPECIFIED	SPECIFICATIONS	POS	QTY	PART NUMBER	DESCRIPTION	NOTE
LINEAR DIMENSIONS ARE IN MILLIMETERS TOLERANCES: .XXXX = ±. - ANGLES = ±1° .XXX = ±. .XX = ±.13 .X = ±.5	MATERIAL SPEC. N/A	APPROVALS		DATE	PARTS LIST	
DIM. & TOL. PER ASME Y14.5M; DRM PER MIL-DTL-31000; OTHER Amphenol Stds. PER 9-3800	PROCESS SPEC. 9-3895 9-3856-5	PREPARED BY S. LANGELIER		19-Jul-22	AMPHENOL CORPORATION 40-60 DELAWARE AVENUE SIDNEY, N.Y. 13858	
LEGENDS: = FLAG NOTE CALL OUT REFERENCE ONLY		ENGINEER IN CHARGE S. LANGELIER			RIGHT ANGLE PLUG ASSEMBLY HALF CENTER, EVO 2 DAUGHTERCARD CONNECTOR, VITA 46	
		DESIGN MANAGER G. PECK			DOCUMENT NO. RVPX-PE20815XX	
		DESIGN ACTIVITY GROUP BOARD LEVEL			REV. B	
		THIRD ANGLE PROJECTION			SCALE: 3/1	SHEET 1 OF 2

DOCUMENT NO. RVPX-PE20815XX

SHEET 1 OF 2

REV. B

VERSION 2

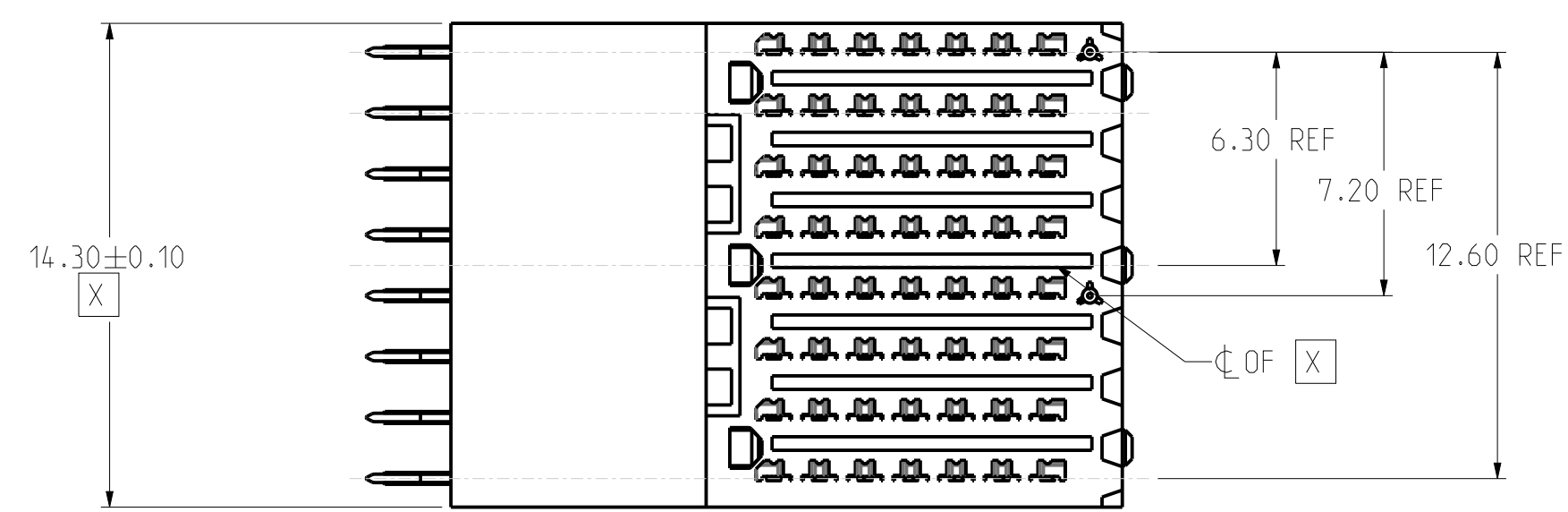
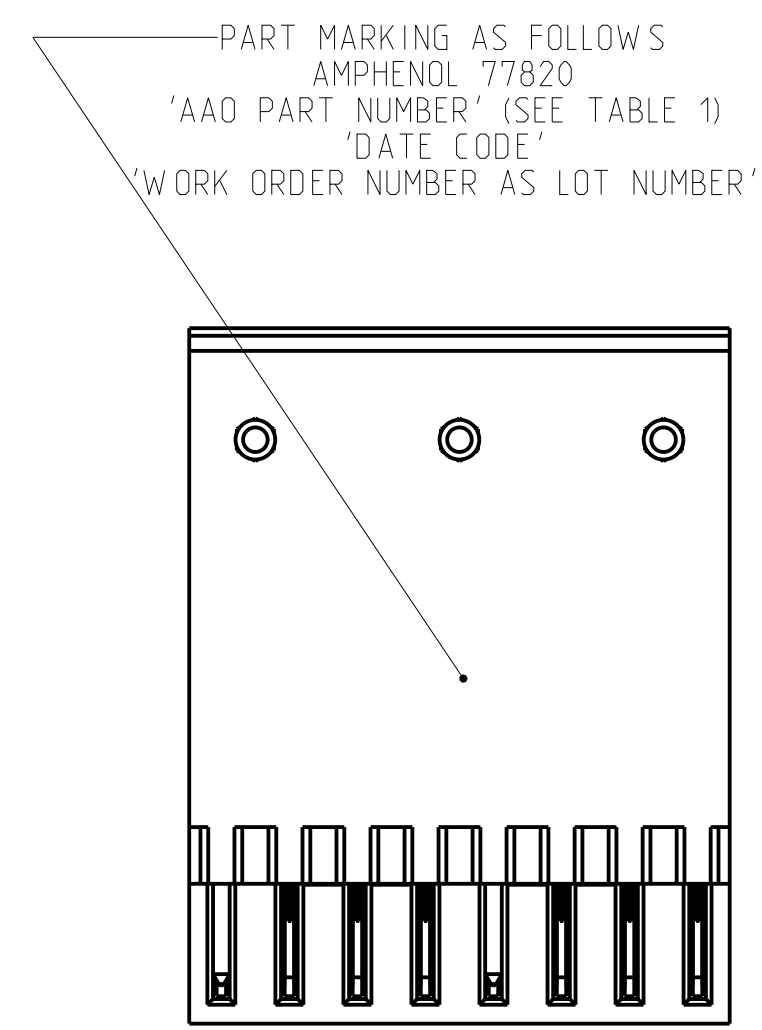
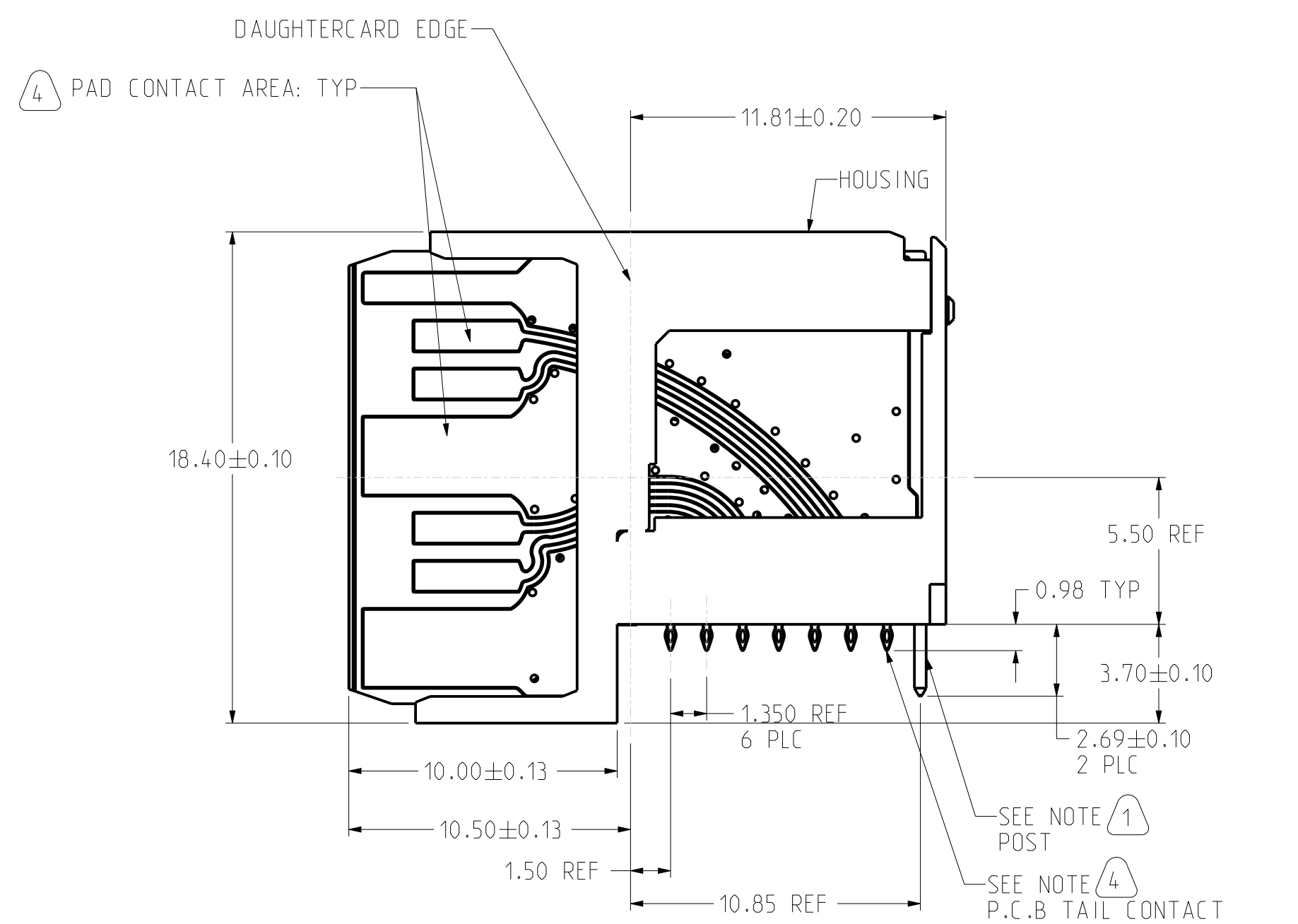
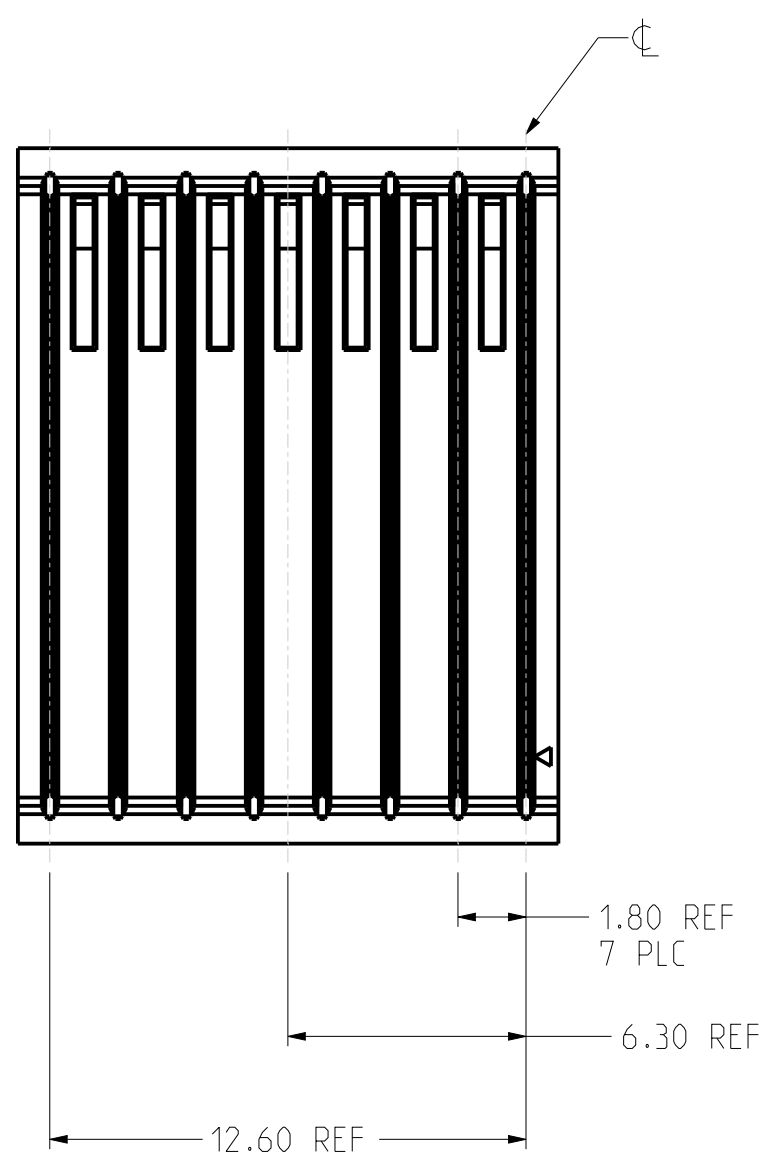
REVISION B

Eng. PDM Information For Reference Only

REV. B

SHEET 1 OF 2

DOCUMENT NO. RVPX-PE20815XX



NOTES:

THE USE OF THIS DOCUMENT IS UNLIMITED. HOWEVER, DOCUMENTS REFERENCED HEREON MAY CONTAIN LIMITED RIGHTS DATA.

DOCUMENT NO. RVPX-PE20815XX	SHEET 2 OF 2	REV. B
---------------------------------------	--------------	------------------

SIZE C	CAGE CODE 77820	DOCUMENT NO. RVPX-PE20815XX	REV. B
SCALE: 3/1	REF: RVPX-P08VXX	SHEET 2 OF 2	