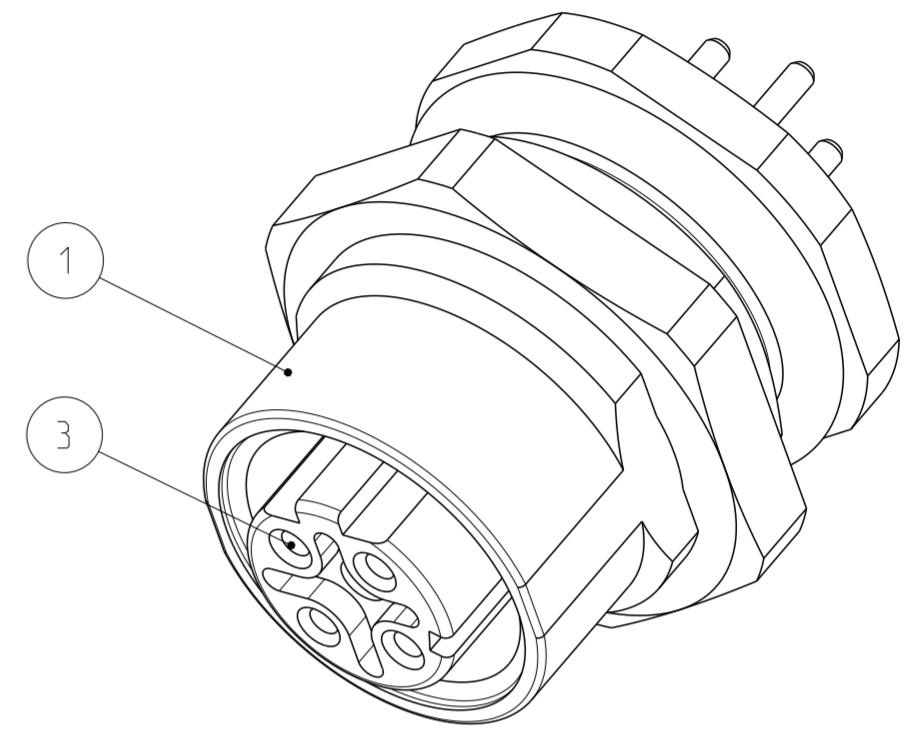
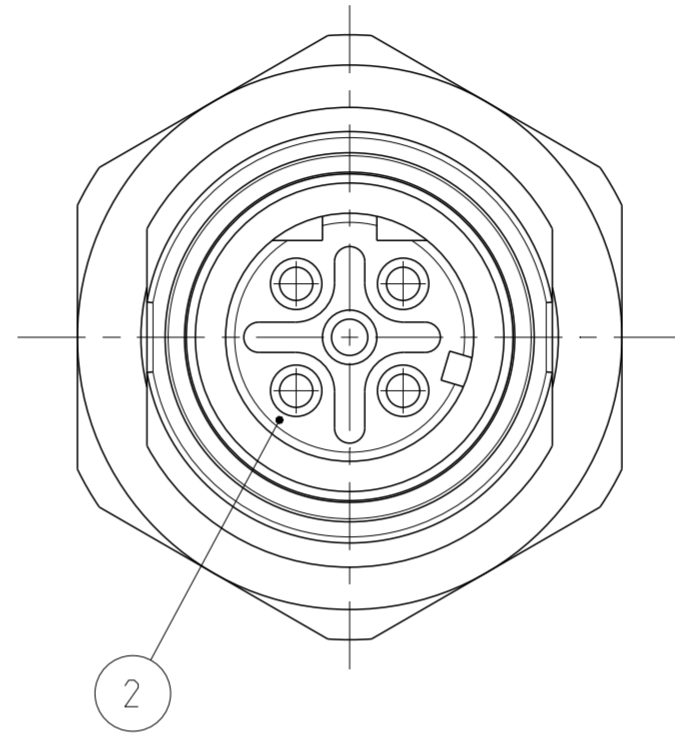
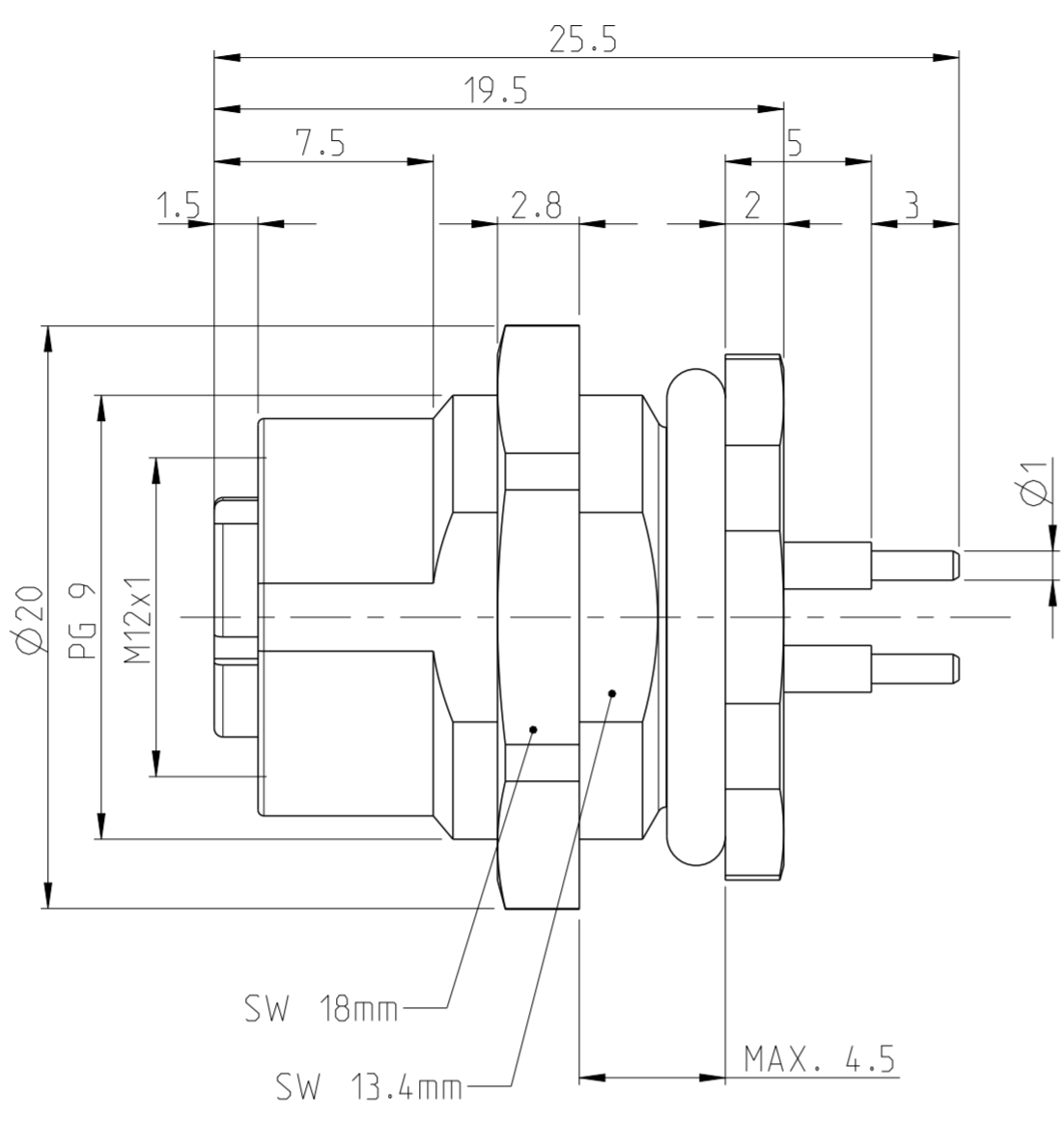


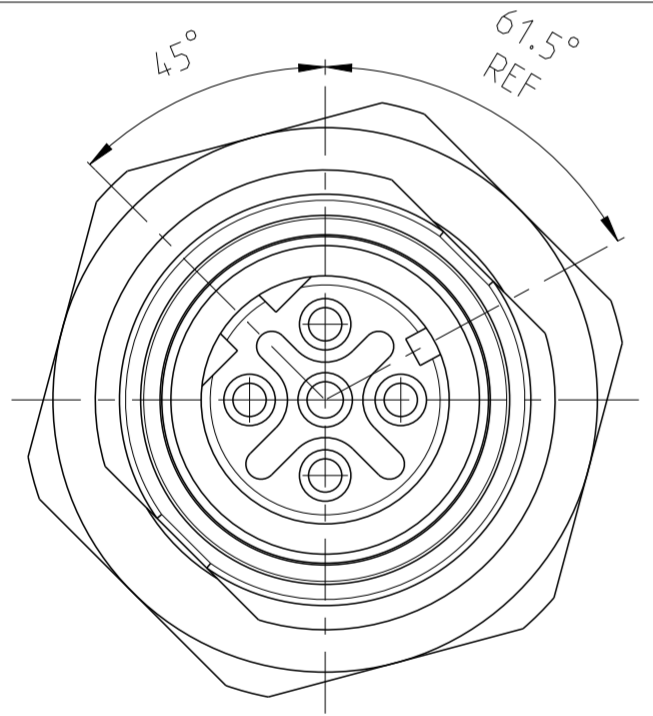
REVISIONS		DESCRIPTION	DATE	DWN	APVD
ÄNDERUNGEN		BESCHREIBUNG			
P	LTR				
	A2	ADDED PCB LAYOUT IN DRAWING	20AUG2014	YR	MB

TECHNICAL DATA	3-2271145-2
RATED VOLTAGE	250V
RATED IMPULSE VOLTAGE	2500V
POLLUTION DEGREE	3
OVERVOLTAGE CATEGORY	II
MATERIAL GROUP	II
RATED CURRENT	4A
VOLUME RESISTIVITY	≤ 3mΩ
DEGREE OF PROTECTION	IP67
UPPER TEMPERATURE	+85°C
LOWER TEMPERATURE	-40°C

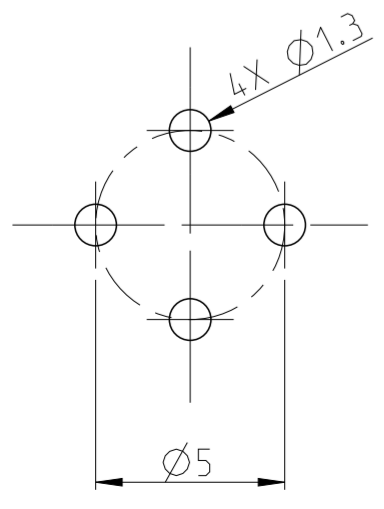


PIN ARRANGEMENT D-CODING

3-2271145-2



PCB LAYOUT



1 MATERIAL: ITEM NO. 1: HOUSING - BRASS, ZINC DIECASTING, NICKEL PLATED  
 ITEM NO. 2: CONTACT BODY - PA  
 ITEM NO. 3: CONTACT - CuSn (BRONZE)  
 CONTACT FINISH - Au (gold)

2 ALL DIMENSIONS ARE FOR NOMINAL REFERENCE ONLY UNLESS OTHERWISE STATED

3 PACKAGING: 20 PIECE IN A BAG

3-2 AS SHOWN WIE GEZEICHNET

24 / 0.25mm <sup>2</sup>	1	4	3-2271145-2
WIRES AWG / mm <sup>2</sup>	MATERIAL	NUMBER OF POLES	TE-PART-NO.

DIESE ZEICHNUNG IST EIN KONTROLLIERTES DOKUMENT. BEMASSUNGEN UND TOLERANZEN GEMAESS GPS (ISO STANDARDS).		DWN YASHKUMAR 15MAY2014		 TE Connectivity		
THIS DRAWING IS A CONTROLLED DOCUMENT. DIMENSIONING AND TOLERANCING PER GPS (ISO STANDARDS).		CHK M. STRELOW 15MAY2014				
DIMENSIONS: MASSEINHEITEN: (MM)		APVD C. SCHREITLINGER 15MAY2014				
TOLERANCES UNLESS OTHERWISE SPECIFIED: ALLGEMEINTOLERANZEN		NAME M12 RECEPTACLE, FEMALE, PCB MOUNT, PANEL REAR, STRAIGHT, D-CODED				
0 PLC ±	1 PLC ±	PRODUCT SPEC 108-19483	SIZE A2	CAGE CODE 00779	DRAWING NO. C-2271145	RESTRICTED TO NUR FUER -
2 PLC ±	3 PLC ±	APPLICATION SPEC 114-32127	SCALE 4:1	SHEET 1 OF 1	REV A2	
4 PLC ±	ANGLES/WINKEL ±	WEIGHT -	Customer Drawing	/KUNDENZEICHNUNG	SCALE MASSTAB 4:1	SHEET BLATT 1 OF 1
MATERIAL SEE NOTES	FINISH/OBERFLAECHE/FARBE SEE NOTES					

SIZE ISO 14405 (E)